



Certified to comply with ANSI A112.18.1

M965256 REV. 1.5 (9/15)

QUEST™

Monoblock Bathroom Sink Faucet with Conventional Pop-up Drain

Thank you for selecting American-Standard...the benchmark of fine quality for over 100 years.

To ensure that your installation proceeds smoothly—please read these instructions carefully before you begin.

Recommended tools



Screwdriver



Channel Locks



Adjustable Wrench

CARE INSTRUCTIONS:

DO: SIMPLY RINSE THE PRODUCT CLEAN WITH CLEAR WATER. DRY WITH A SOFT COTTON FLANNEL CLOTH.

DO NOT: DO NOT CLEAN THE PRODUCT WITH SOAPS, ACID, POLISH, ABRASIVES, HARSH CLEANERS, OR A CLOTH WITH A COARSE SURFACE.

1 INSTALL FAUCET

CAUTION

Turn off hot and cold water supplies before beginning.

- Seat SEAL (1) into under side of FAUCET BASE (2). **Fig. A.**
- Feed FAUCET SUPPLIES (3), MOUNTING STUD (4) and LIFT ROD (8) through the mounting hole of lavatory or mounting surface. **Fig. A.**
- From below, push GASKET (7) and RETAINING WASHER (5) onto MOUNTING STUD (4). Secure Faucet with MOUNTING NUT (6), pulling faucet to front of sink so SUPPLIES (3) rests against mounting hole. Before final tightening make sure collar on MOUNTING NUT (6) is seated into RETAINING WASHER (5). **Fig. B.**
- Adjust Faucet so that it is centered. Tighten MOUNTING NUT (6) to complete faucet mounting.

Fig. A.

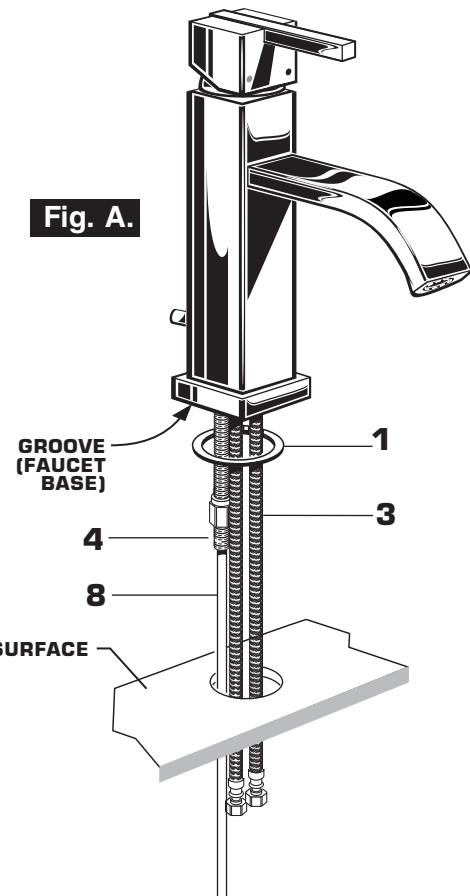
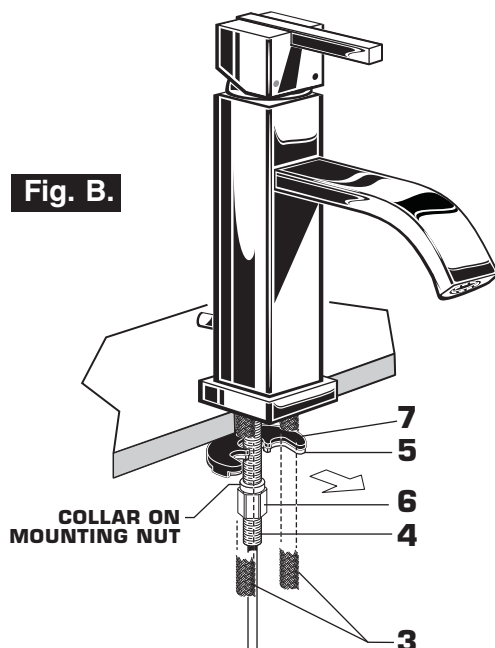


Fig. B.



2 INSTALL POP-UP DRAIN

Fig. 1

- Apply a bead of putty to underside of FLANGE (1).

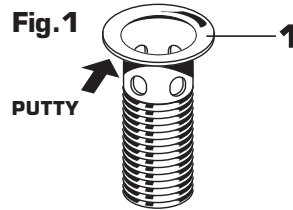


Fig. 2

- Drop FLANGE (1) into LAVATORY DRAIN (2).
- From below assemble RUBBER GASKET (3), METAL WASHER (4) and LOCK NUT (5). Do not tighten.

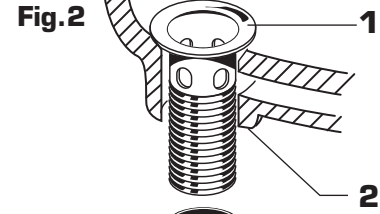
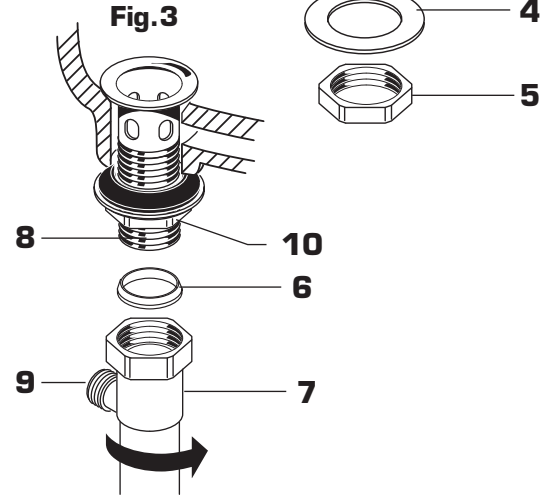


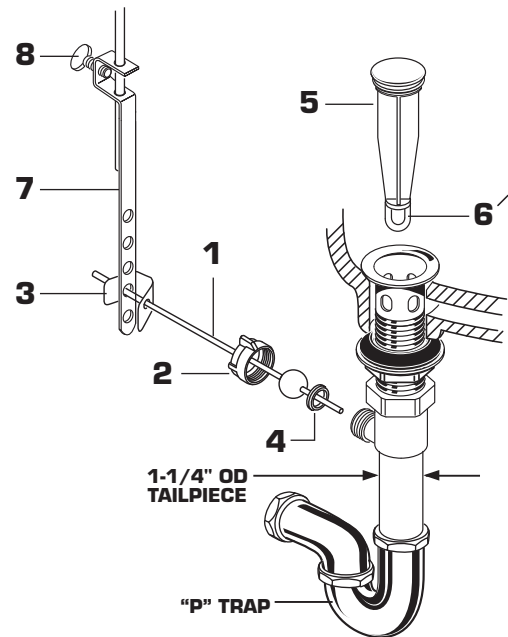
Fig. 3

- Place SEAL (6) with small end facing up into TAILPIECE (7) and tighten against DRAIN BODY (8).
- PIVOT ROD (9) opening in TAILPIECE (7) should face the rear of the lavatory.
- Tighten LOCK NUT (10) with channel locks. Do not over tighten.



3 ASSEMBLE PIVOT ROD TO POP-UP DRAIN

- Assemble PIVOT ROD (1), PIVOT NUT (2), CLIP (3) and SEAL (4) as shown. Hand tighten PIVOT NUT (2). Drop STOPPER (5) into drain. (For vandal proof drain rotate stopper so PIVOT ROD (1) goes through EYE (6) of STOPPER (5). Make connection to "P" TRAP.)
- Remove one end of CLIP (3) from PIVOT ROD (1) by squeezing ends together while sliding.
- Insert PIVOT ROD (1) into second or third hole in EXTENSION (7) and reassemble CLIP (3). (EXTENSION (7) may need to be bent).
- Adjust STOPPER (5) height by repositioning EXTENSION (7) and tightening THUMBSCREW (8).



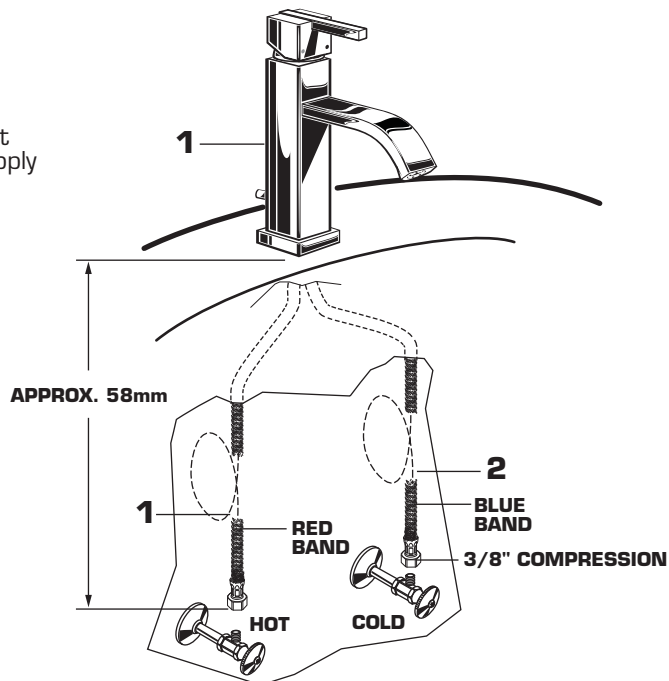
4 MAKE WATER SUPPLY AND WASTE CONNECTIONS

- Connect FLEXIBLE SUPPLIES (1, 2) directly to wall supplies. Connection on fitting supplies are 3/8" compression. Connect left SUPPLY (1) to Hot (Marked with a Red Band) and right supply to COLD (2) wall supply.

- Faucet supplies are 508mm long from faucet base.

Note: If additional supply length is required, installer must purchase additional parts separately.

Important: If SUPPLY HOSES (1, 2) are to long, loop as illustrated to avoid kinking.

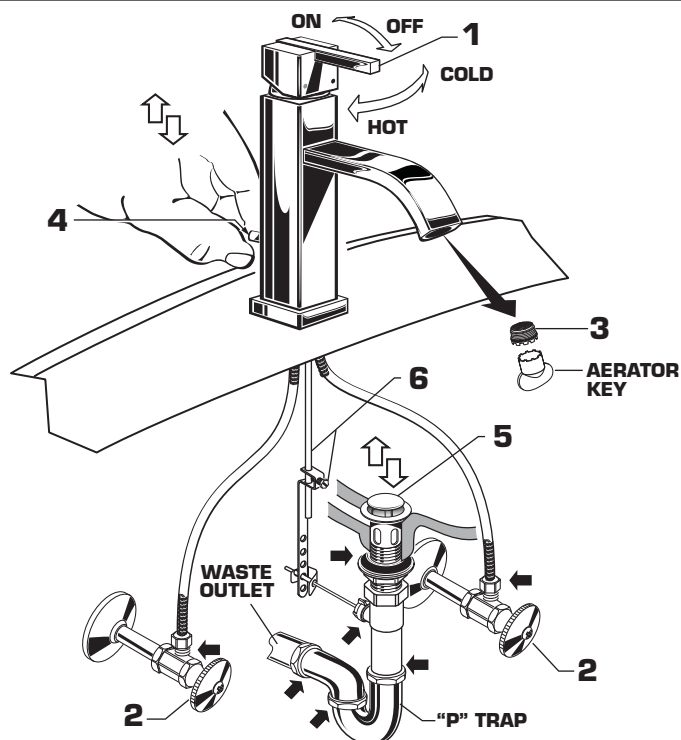


5 TEST INSTALLED FITTING

- With HANDLE (1) in OFF position, turn on WATER SUPPLIES (2) and check all connections for leaks. ➡
- Remove AERATOR (3).
- Operate HANDLE (1) to flush water lines thoroughly.
- Replace AERATOR (3).

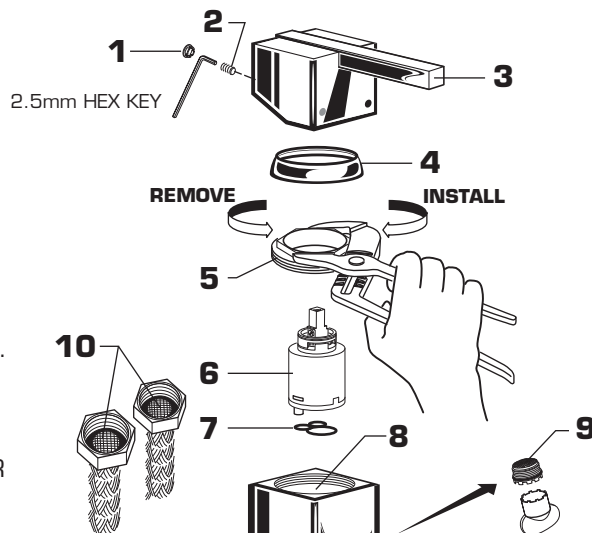
CHECK DRAIN CONNECTIONS

- Operate POP-UP KNOB (4) and fill lavatory with water. Check that DRAIN STOPPER (5) makes a good seal and retains water in SINK. If DRAIN STOPPER (5) does not seal properly, adjust POP-UP ROD (6).
- Release POP-UP KNOB (4) down and check all drain connections and "P" trap for leaks. ➡ Tighten if necessary.



6 SERVICE CAUTION Turn off hot and cold water supplies before beginning.

- To remove or replace cartridge:
 - Turn valve to OFF position.
 - Pull out PLUG BUTTON (1) and remove HANDLE SCREW (2).
 - Pull off HANDLE (3) and CAP (4).
 - Unthread CARTRIDGE NUT (5) and remove.
 - Pull out CARTRIDGE (6).
 - Inspect CARTRIDGE (6) and O-RINGS (7) for debris and clean if necessary.
 - Clean MANIFOLD (8) and rinse clean.
 - Reinstall CARTRIDGE (6) and O-RINGS (7) onto CARTRIDGE (6).
 - Reinstall CARTRIDGE NUT (5), CAP (4) and HANDLE ASSEMBLY (3).
- If spout drips, operate handle several times from OFF to ON and HOT to COLD position. Do not force handle.
- AERATOR (9) and HOSE FILTER SCREENS (10) may accumulate debris causing distorted or reduced water flow. Remove AERATOR (9) and/or water supplies and rinse clean.

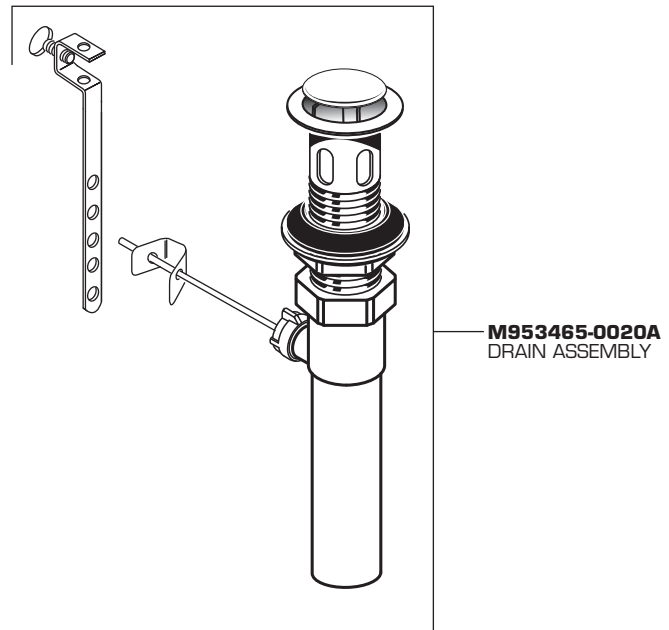
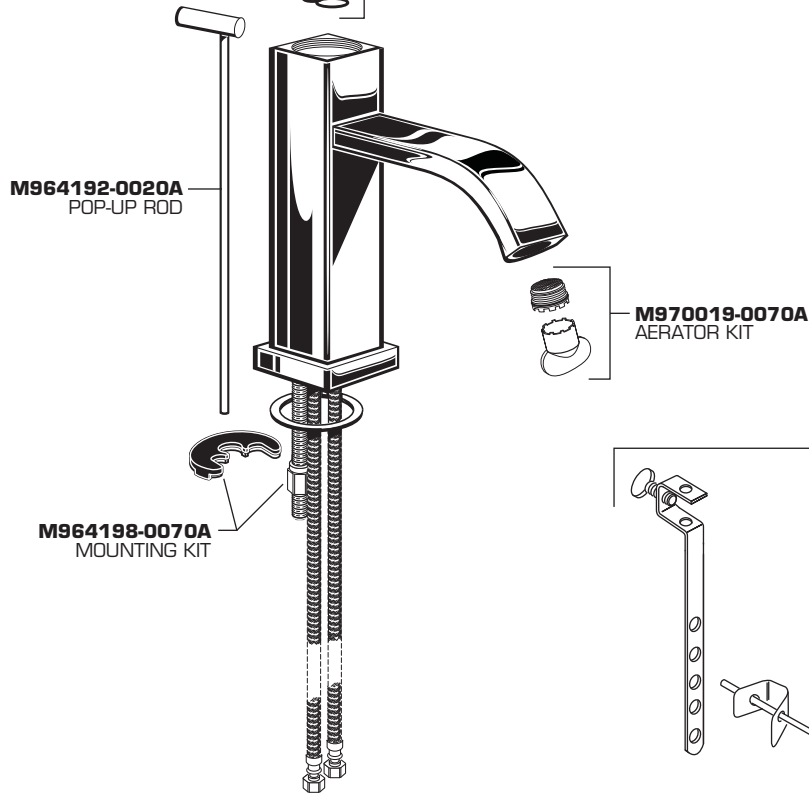
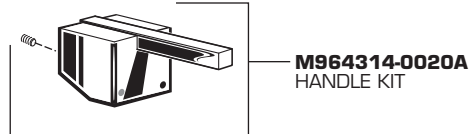
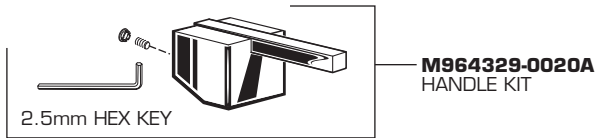


American Standard

QUEST™ Monoblock Bathroom Sink Faucet with Conventional Pop-up Drain

MODEL NUMBER

2007.101



Appropriate finish code

CHROME 002

HOT LINE FOR HELP

For toll-free information and answers to your questions, call:
1 (800) 442-1902
Mon. - Fri. 8:00 a.m. to 8:00 p.m. EST
Saturday 10:00 a.m. to 4:00 p.m. EST
IN CANADA 1-800-387-0369
(TORONTO 1-905-306-1093)
Weekdays 8:00 a.m. to 7:00 p.m. EST
IN MEXICO 01-800-839-1200



Product names listed herein are trademarks of AS America, Inc.
© AS America, Inc. 2015