

INSTALLATION INSTRUCTIONS

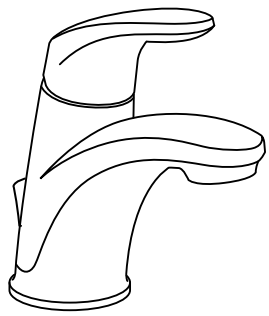
COLONY® PRO SINGLE LEVER MONOBLOCK LAVATORY FAUCET

7075.100
7075.102
7075.104

Thank you for selecting American Standard...
the benchmark of fine quality for over 100 years.

To ensure that your installation proceeds smoothly-please read these instructions carefully before you begin.

Certified to comply with ANSI A112.18.1M



RECOMMENDED TOOLS



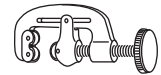
Screwdriver



Channel Locks



Adjustable Wrench



Tubing Cutter

1 INSTALL FAUCET

CAUTION Turn off hot and cold water supplies before beginning.

- Seat SEAL (2) into under side of FAUCET BODY (1).
- Feed FAUCET SUPPLIES (3), MOUNTING STUD (4) and DRAIN ASSEMBLY (8) through the mounting hole of lavatory. **Figure A.**
- From below, push GASKET (7) and RETAINING WASHER (5) onto MOUNTING STUD (4). Secure Faucet with MOUNTING NUT (6), pulling faucet to front of sink, so SUPPLIES (3) rests against mounting hole.
- Before final tightening, make sure collar on MOUNTING NUT (6) is seated into RETAINING WASHER (5).
- Adjust Faucet so that it is centered. Tighten MOUNTING NUT (6) to complete faucet mounting.

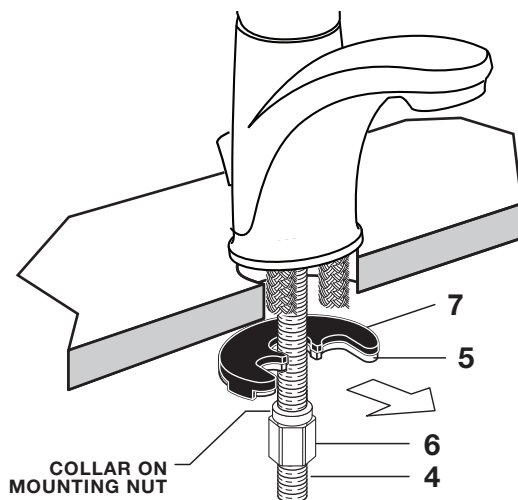
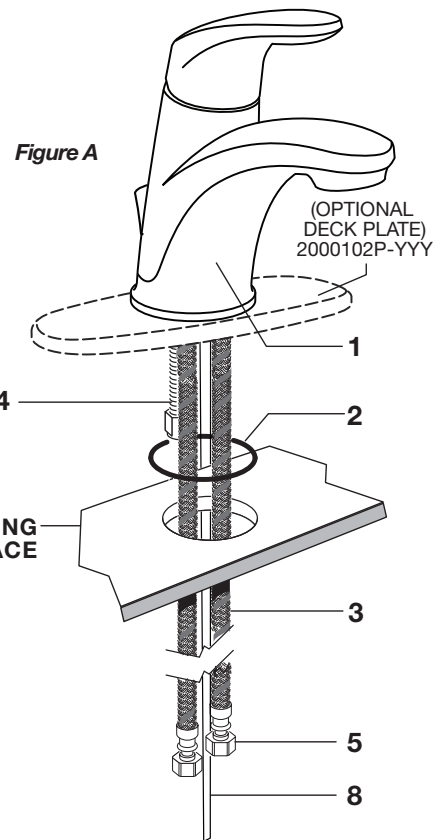
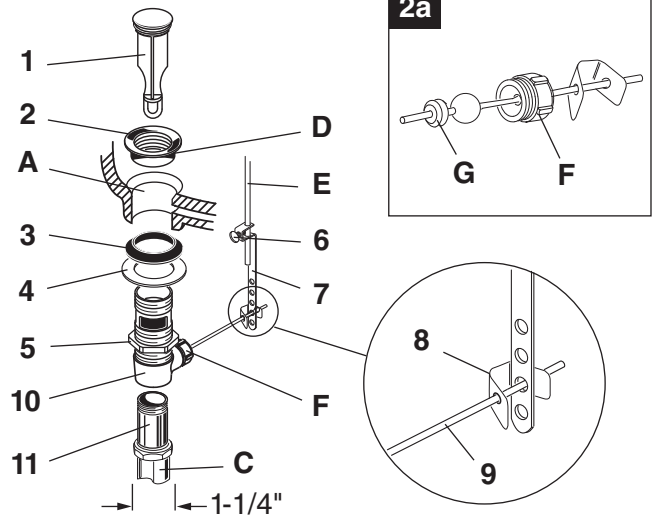


Figure B

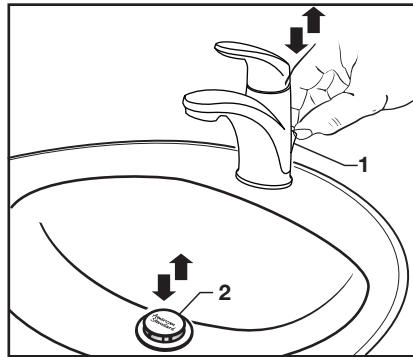
2 INSTALL POP-UP DRAIN

- Push TAIL PIECE (11) down into TRAP (C) (threaded end up).
- Thread LOCKNUT (5), WASHER (4) and GASKET (3) (Bevel side up) onto DRAIN BODY (10).
- Apply a bead of PUTTY (D) to underside of FLANGE (2).
- Feed DRAIN BODY (10) up through SINK (A) and thread the FLANGE (2) fully onto DRAIN BODY (10).
- Tighten LOCKNUT (5) firmly, keeping the pivot rod hole pointed towards the back of the sink.
- Assemble PIVOT ROD (9) as shown in **Figure-2a**. Notice the position of the CONCAVE WASHER (G).
- Insert PIVOT ROD (9) into DRAIN BODY (10) and tighten PIVOT NUT (F).
- Pull TAIL PIECE (11) up and thread tightly into DRAIN BODY (10).
- Position EXTENSION ROD (7) onto POP-UP ROD (E) and tighten THUMBSCREW (6).
- Remove one end of CLIP (8) from PIVOT ROD (9) by squeezing ENDS TOGETHER WHILE SLIDING.
- Insert PIVOT ROD (9) into second or third hole in EXTENSION ROD (7) and reassemble CLIP (8).
- DROP STOPPER (1) into DRAIN BODY (10).
- Adjust stopper height by repositioning EXTENSION ROD (7) and tightening THUMBSCREW (6).



3 CHECK OPERATION OF POP-UP

- Operate LIFT KNOB (1) to verify that STOPPER (2) opens and closes.

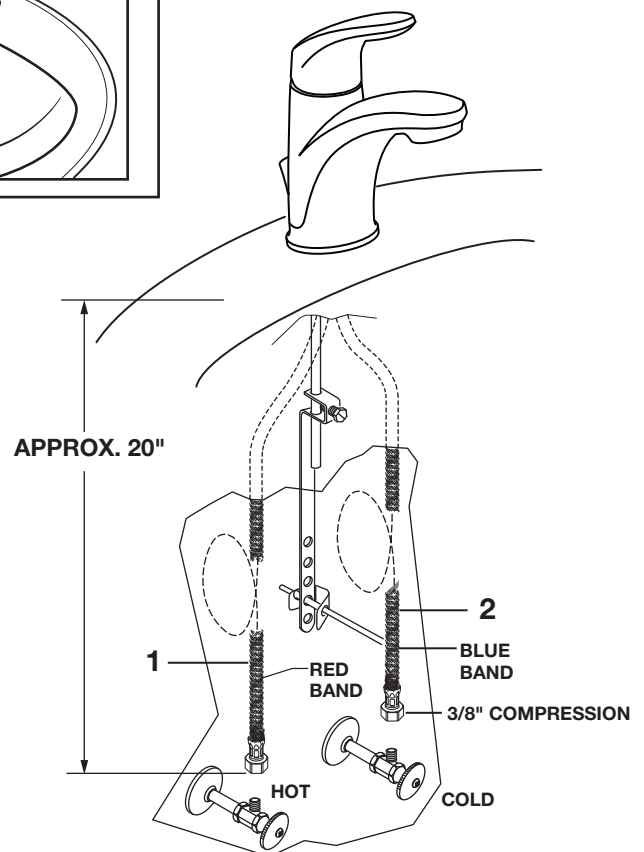


4 MAKE WATER SUPPLY AND WASTE CONNECTIONS

- Connect FLEXIBLE SUPPLIES (1, 2) directly to wall supplies. Connection on fitting supplies are 3/8" compression. Connect left SUPPLY (1) to Hot (Marked with a Red Band) and right supply to COLD (2) wall supply.
- Faucet supplies are 20" long from faucet base.

Note: If additional supply length is required, installer must purchase additional parts separately.

Important: If SUPPLY HOSES (1, 2) are to long, loop as illustrated to avoid kinking.

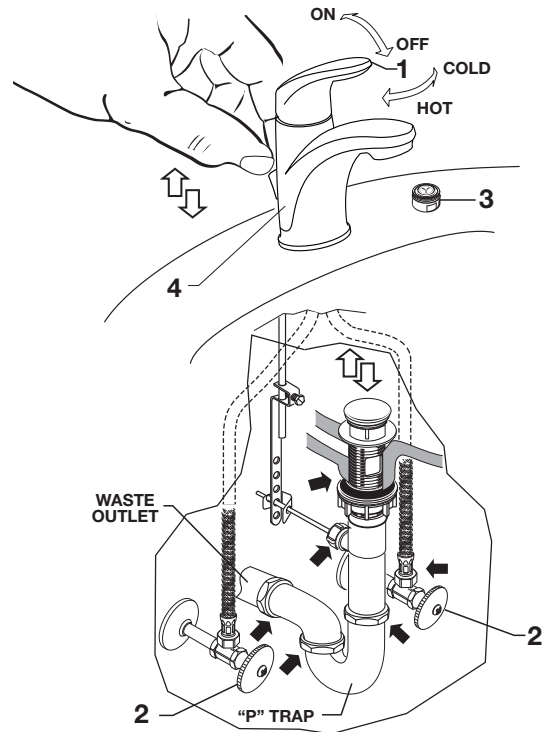


5 TEST INSTALLED FITTING

- With HANDLE (1) in OFF position, turn on WATER SUPPLIES (2) and check all connections for leaks. ➡
- Remove AERATOR (3).
- Operate HANDLE (1) to flush water lines thoroughly.
- Replace AERATOR (3).

CHECK DRAIN CONNECTIONS

- Operate POP-UP KNOB (4) and fill lavatory with water. Check that DRAIN STOPPER (5) makes a good seal and retains water in Sink.
- Release POP-UP KNOB (4) down and check all drain connections and "P" trap for leaks. ➡ Tighten if necessary.



6 SERVICE

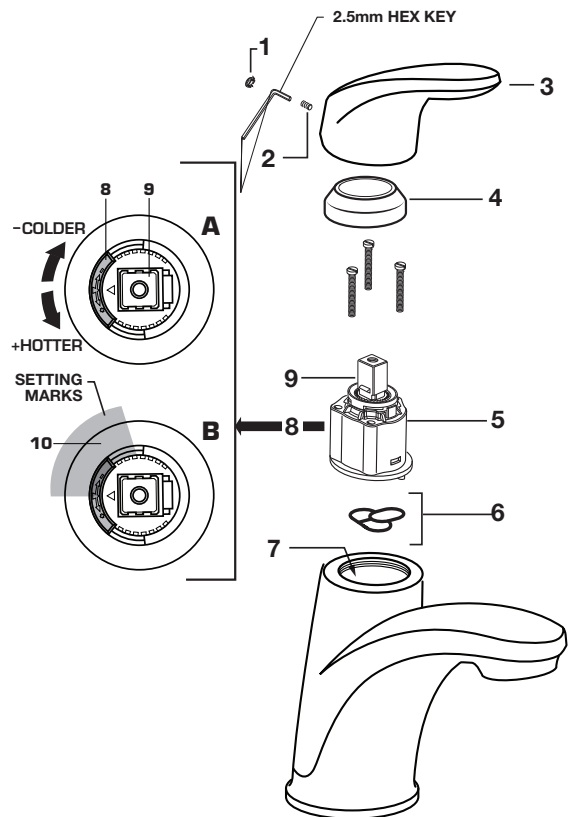
CAUTION Turn off hot and cold water supplies before beginning.

- To remove or replace cartridge:
 - Turn valve to OFF position.
 - Pull out PLUG BUTTON (1) and remove HANDLE SCREW (2).
 - Pull off HANDLE (3) and CAP (4).
 - Pull out CARTRIDGE (5).
 - Inspect CARTRIDGE (5) and O-RINGS (6) for debris and clean if necessary.
 - Clean MANIFOLD (7) and rinse clean.
 - Reinstall CARTRIDGE (5) and O-RINGS (6) onto MANIFOLD (7).
 - Reinstall CAP (4) and HANDLE ASSEMBLY (3).
- If spout drips, operate handle several times from OFF to ON and HOT to COLD position. Do not force - handle turns only 90°.

ADJUST HOT LIMIT SAFETY STOP

By restricting HANDLE rotation and limiting the amount of hot water allowed to mix with the cold, the HOT LIMIT SAFETY STOP (8) reduces risk of accidental scalding. To lower the maximum hot water temperature of your faucet, all you need to do is adjust the setting on the HOT LIMIT SAFETY STOP (8). Note: The HOT LIMIT SAFETY STOP (98) is set at the neutral setting from the factory. **Fig. A.**

- To adjust HOT LIMIT SAFETY STOP:
 - Remove HANDLE ASSEMBLY (3), CAP (4)
 - Set the CARTRIDGE STEM (9) to the OFF position.
 - Lift up the HOT LIMIT SAFETY STOP (8).
 - Place the HOT LIMIT SAFETY STOP (8) in the desired GRAY SHADED AREA (10) to limit the hot water. **Fig. B.**
 - Reinstall CAP (4) and HANDLE ASSEMBLY (3).



7 CARE INSTRUCTIONS:

DO: SIMPLY RINSE THE PRODUCT CLEAN WITH CLEAR WATER. DRY WITH A SOFT COTTON FLANNEL CLOTH.
DO NOT: DO NOT CLEAN THE PRODUCT WITH SOAPS, ACID, POLISH, ABRASIVES, HARSH CLEANERS, OR A CLOTH WITH A COARSE SURFACE.

American Standard

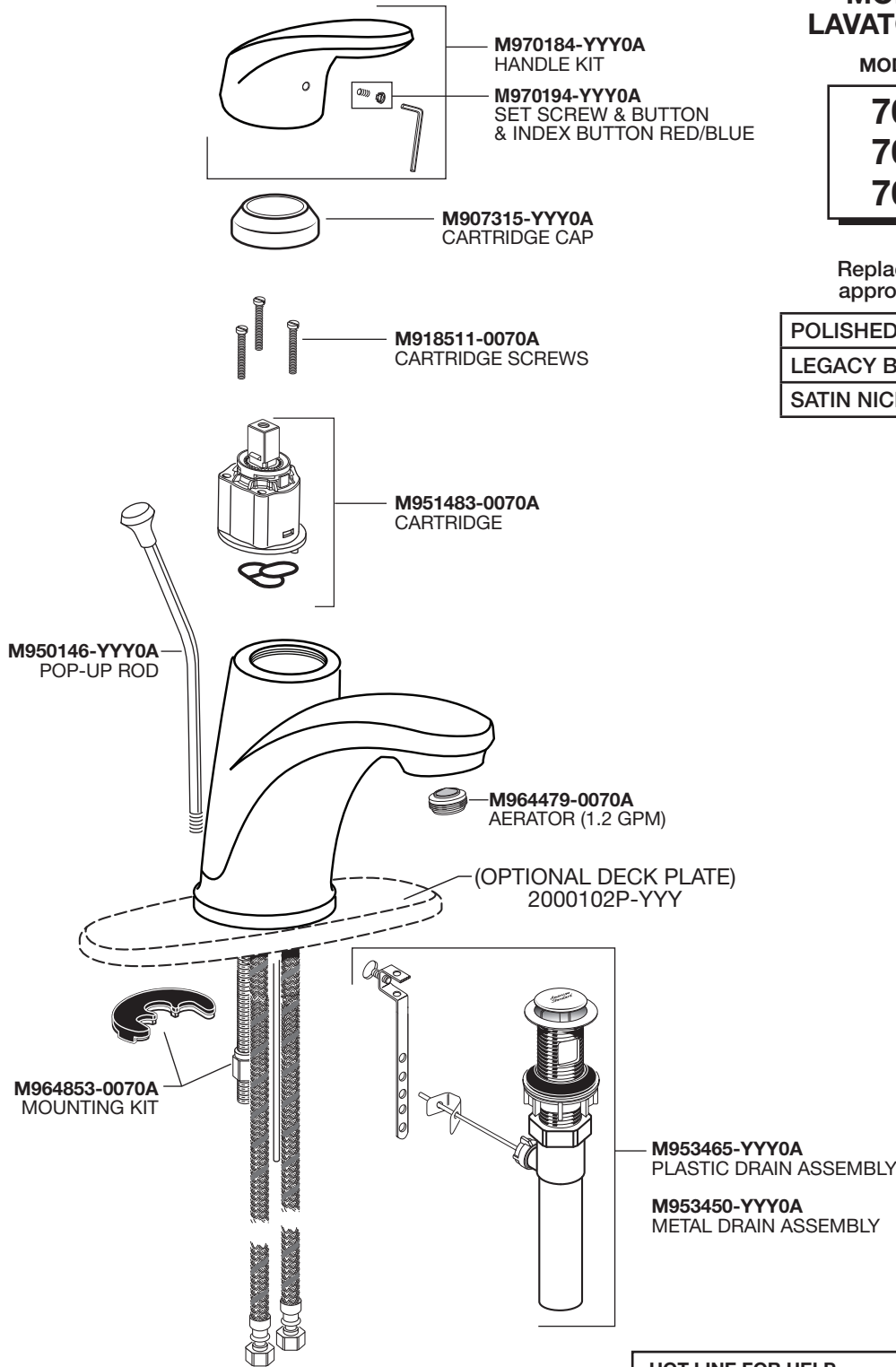
COLONY® PRO SINGLE LEVER MONOBLOCK LAVATORY FAUCET

MODEL NUMBERS

7075.100
7075.102
7075.104

Replace the "YYY" with appropriate finish code

POLISHED CHROME	002
LEGACY BRONZE	278
SATIN NICKEL	295



HOT LINE FOR HELP

For toll-free information and answers to your questions, call:

1 (800) 442-1902

Mon. - Fri. 8:00 a.m. to 8:00 p.m. EST

Saturday 10:00 a.m. to 4:00 p.m. EST

IN CANADA 1-800-387-0369

(TORONTO 1-905-306-1093)

Weekdays 8:00 a.m. to 7:00 p.m. EST

IN MEXICO 01-800-839-1200



PART OF **LIXIL**