

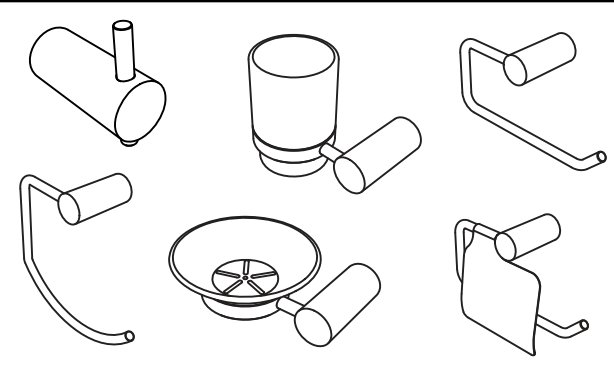
American Standard **Installation Instructions**

SERIN™ Accessories

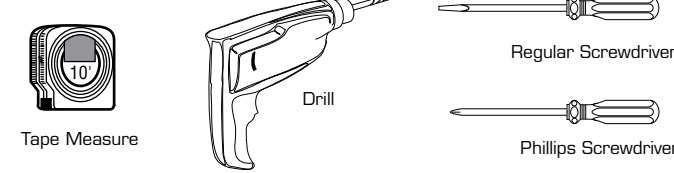
- TOWEL RING 2064.190
- ROBE HOOK 2064.210
- SOAP DISH 2064.050
- TUMBLER 2064.091
- TOILET TISSUE HOLDER 2064.230
- TOILET TISSUE HOLDER WITH COVER 2064.290

Thank you for selecting American-Standard...the benchmark of fine quality for over 100 years.
To ensure that your installation proceeds smoothly--please read instructions carefully before you begin.

M968902 Rev.1.2



Recommended Tools

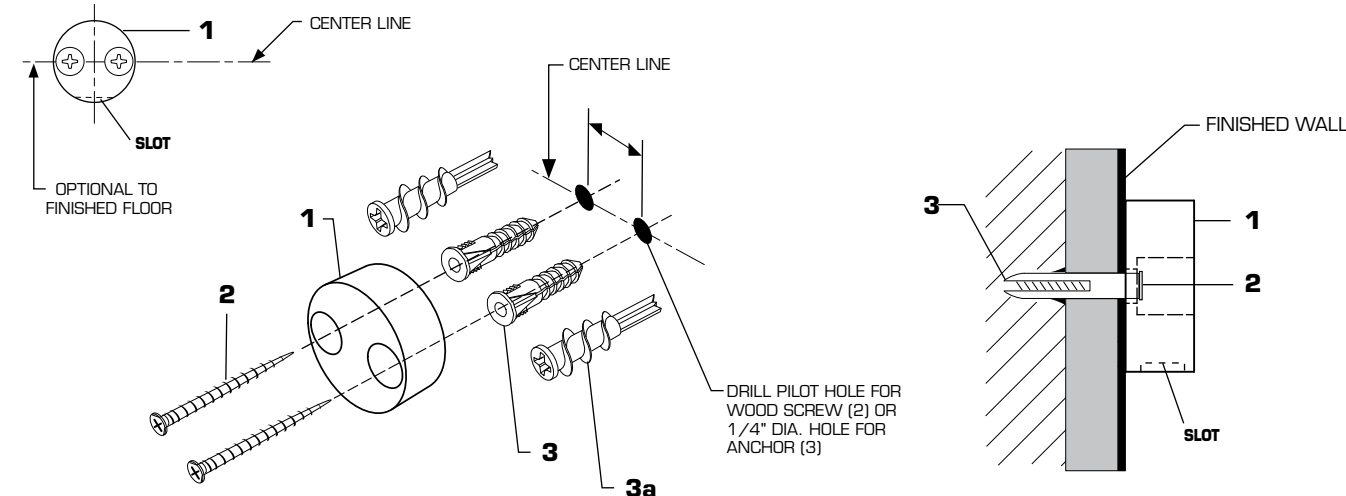


CARE INSTRUCTIONS:

DO: SIMPLY RINSE THE PRODUCT CLEAN WITH CLEAR WATER. DRY WITH A SOFT COTTON FLANNEL CLOTH.
DO NOT: CLEAN THE PRODUCT WITH SOAPS, ACID, POLISH, ABRASIVES, HARSH CLEANERS, OR A CLOTH WITH A COARSE SURFACE.

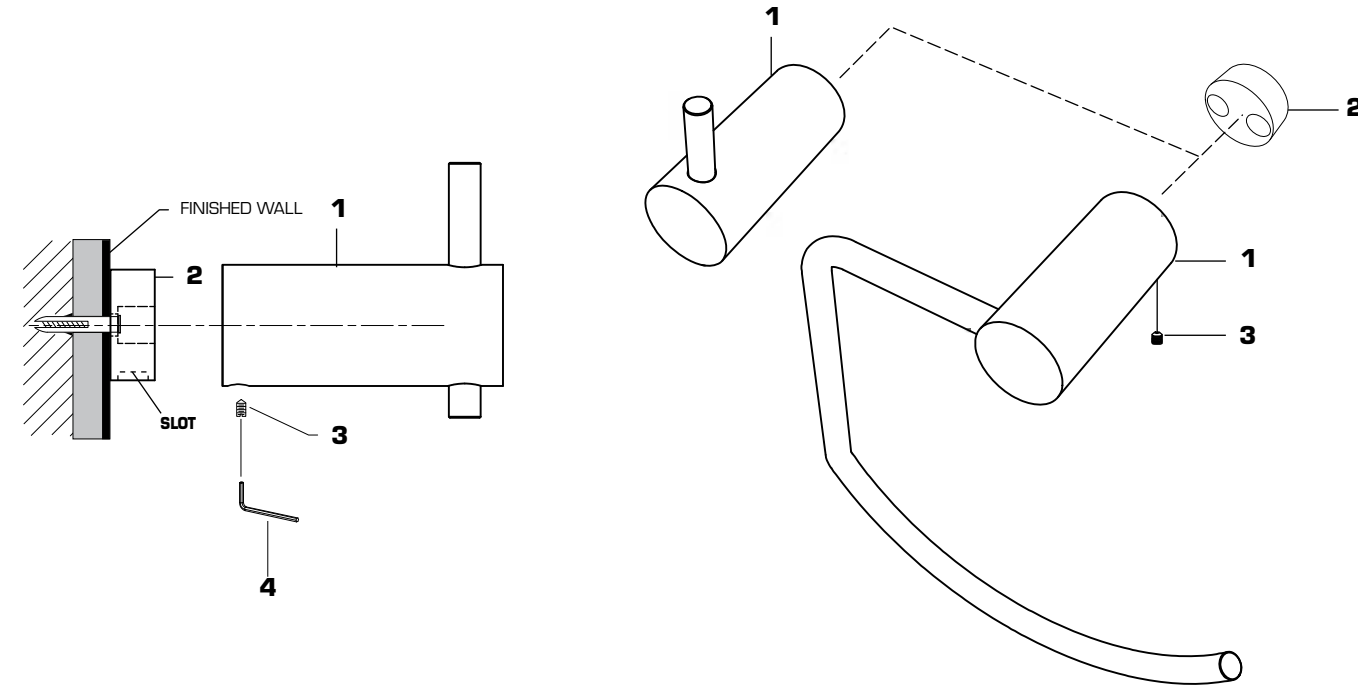
1 TOWEL RING, ROBE HOOK, SOAP DISH, TUMBLER, TOILET TISSUE HOLDER MOUNTING BRACKET INSTALLATION

- The TOWEL RING, ROBE HOOK, SOAP DISH and TUMBLER/TOOTHBRUSH HOLDER work best if secured to a wall stud or cross brace within the wall, using the SCREWS (2) supplied.
- If the TOWEL RING, ROBE HOOK, SOAP DISH and TUMBLER/TOOTHBRUSH HOLDER are to be installed on a tile or plaster wall the TILE ANCHORS (3) or DRYWALL ANCHORS (3a) and SCREWS (2) should be used.
- Determine desired height and location (optional) and mark a center line. Using the MOUNTING BRACKET (1) as a template mark the two spots for the mounting holes. If MOUNTING BRACKET (1) is secured to a stud or cross brace drill small pilot holes for SCREWS (2).
- For installations on tiled walls, use TILE ANCHORS (3) and SCREWS (2) for securing MOUNTING BRACKET (1) to wall. Drill two 1/4" diameter holes a minimum of 1-1/4" deep. Insert the two TILE ANCHORS (3) flush with face of finished wall. Place MOUNTING BRACKET (1) over TILE ANCHORS (3) and insert SCREWS (2) provided with #2 Phillips screwdriver. See illustration below.
- For installations on drywall, use DRYWALL ANCHORS (3a) and SCREWS (2) for securing MOUNTING BRACKET (1) to wall. Place #2 Phillips screwdriver or cordless screwdriver into recess of anchor. Press into drywall while turning the anchor clockwise until it is seated flush with the wall. Place MOUNTING BRACKET (1) over DRYWALL ANCHORS (3a) and insert screws provided with #2 Phillips screwdriver. See illustration below.
- Secure MOUNTING BRACKET (1) to wall with SCREWS (2)



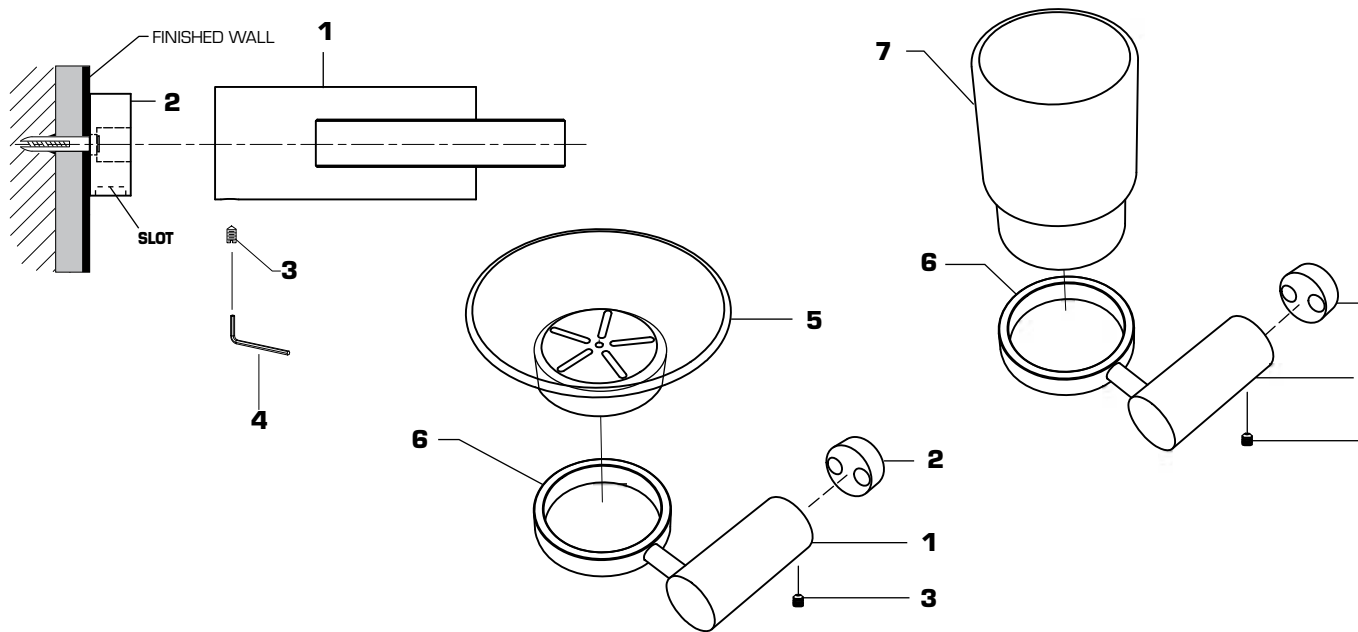
2 TOWEL RING and ROBE HOOK INSTALLATION

- Align accessory and place ESCUTCHEON (1) onto MOUNTING BRACKET (2). Secure accessory with SET SCREW (3) using allen key (4).



3 SOAP DISH and TUMBLER / TOOTHBRUSH HOLDER

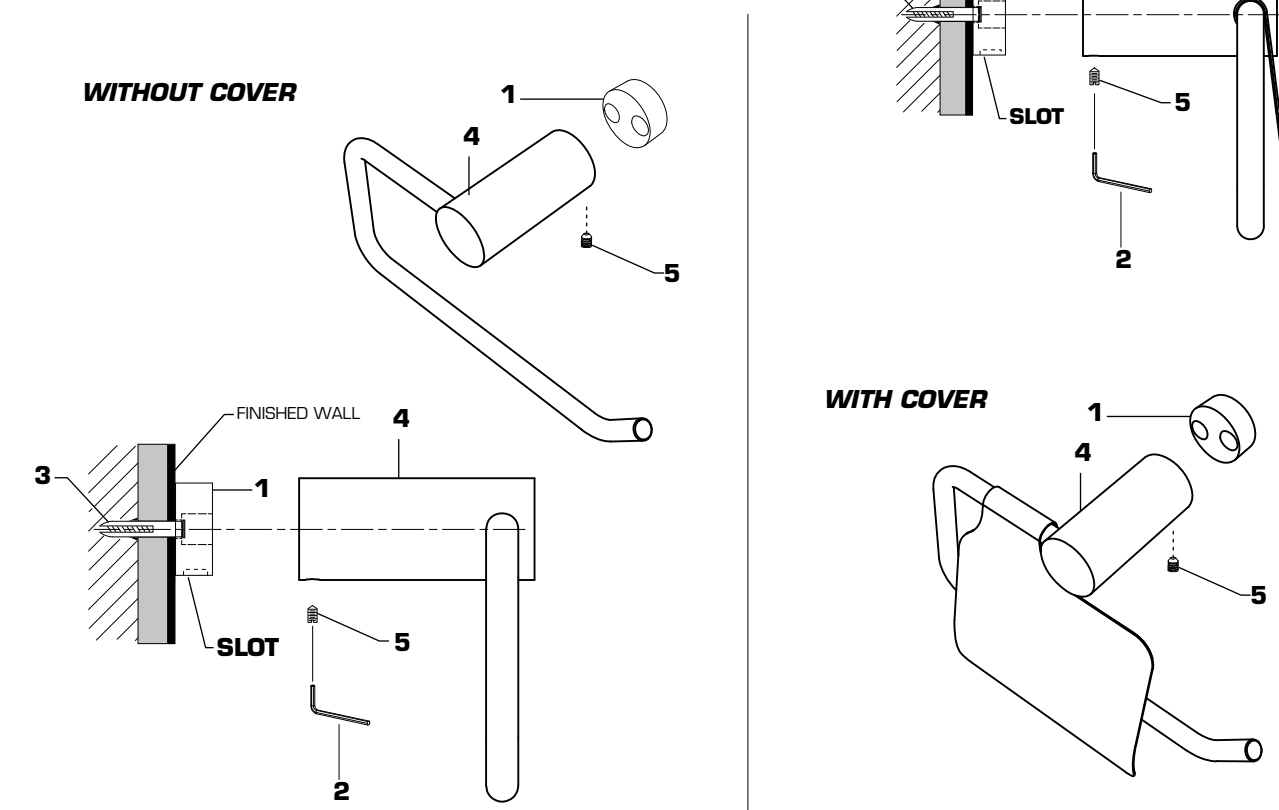
- Align accessory and place ESCUTCHEON (1) onto MOUNTING BRACKET (2). Secure accessory with SET SCREW (3) using allen key (4).
- FOR SOAP DISH: Place SOAP DISH (5) into TRAY (6).
- FOR TUMBLER | TOOTHBRUSH HOLDER: Place TUMBLER (7) into TRAY (6).



M968902 Rev.1.2

4 INSTALL TOILET TISSUE HOLDER

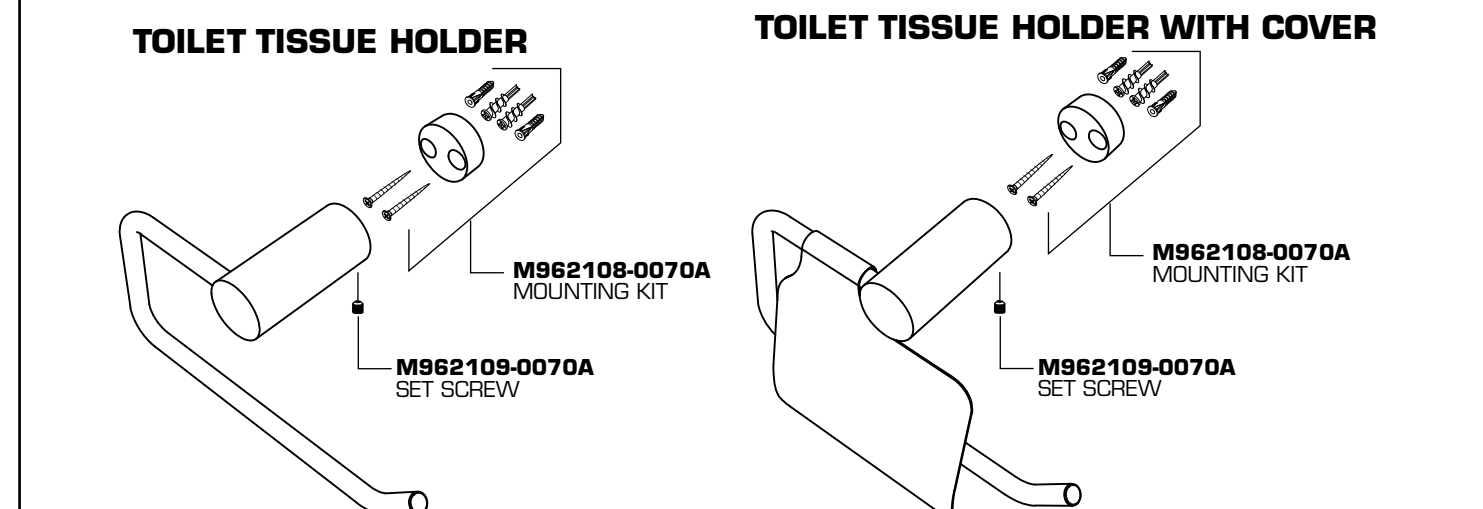
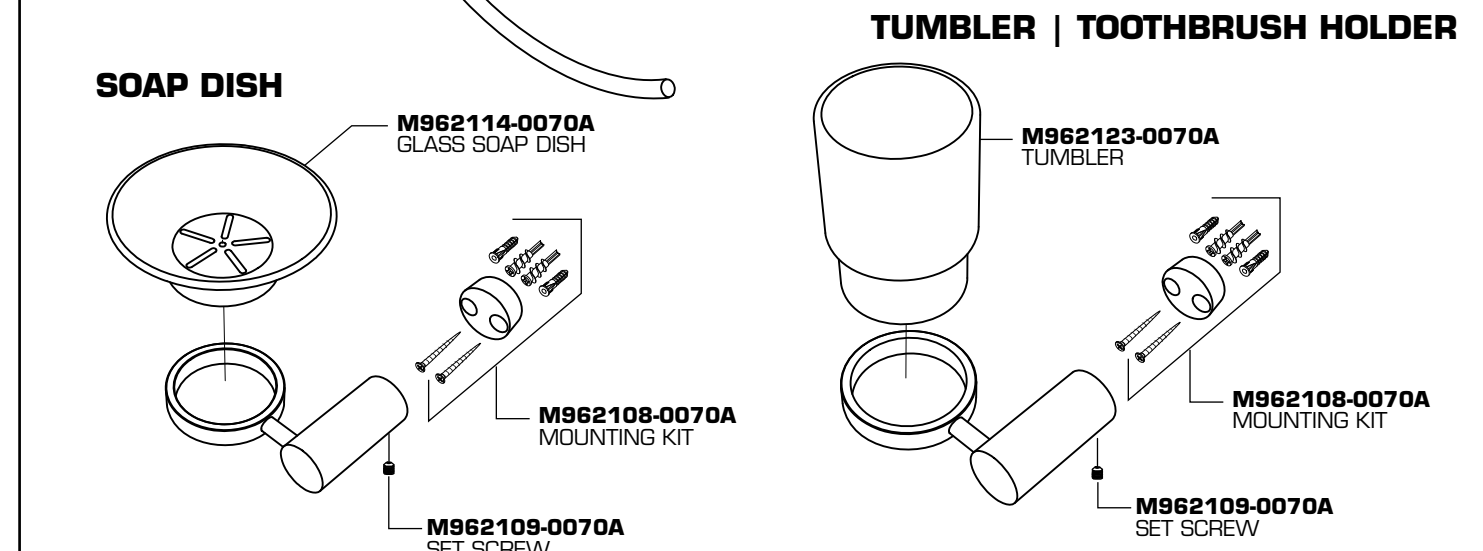
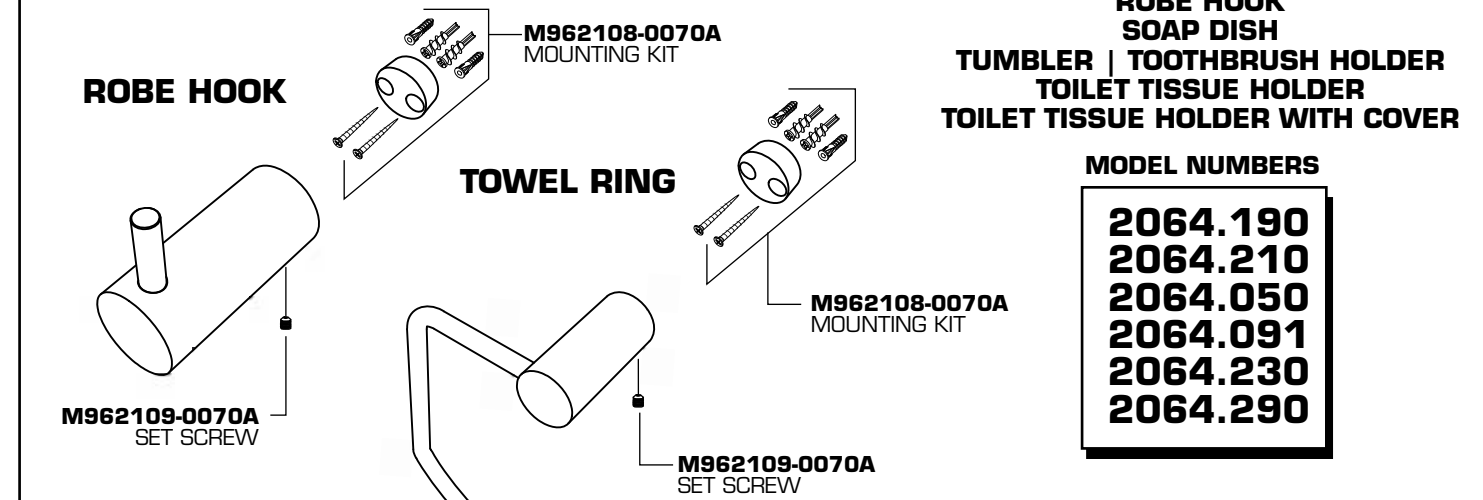
- Align accessory and place ESCUTCHEON (4) onto MOUNTING BRACKET (1). Secure accessory with SET SCREW (5) using allen key (2).



M968902 Rev.1.2

American Standard

SERIN™ ACCESSORIES



CHROME	002
STAINLESS STEEL	075
SATIN NICKEL	295

HOT LINE FOR HELP
For toll-free information and answers to your questions, call:
1-800-442-1932
Weekdays 8:00 a.m. to 8:00 p.m. EST
IN MEXICO 01-800-839-1200
IN CANADA 1-800-387-0369 (TORONTO 1-905-306-1093)
Weekdays 8:00 a.m. to 7:00 p.m. EST
Product names listed herein are trademarks of American Standard Inc.
© AS America, Inc. 2009

M968902 Rev.1.2