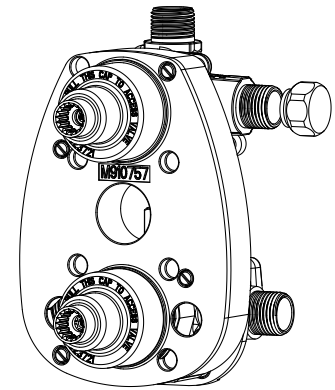


**Flash™ 2-Handle Integrated
Diverter Pressure Balance
Valve**

*Thank you for selecting AmericanStandard...
the benchmark of fine quality for over 140 years.*

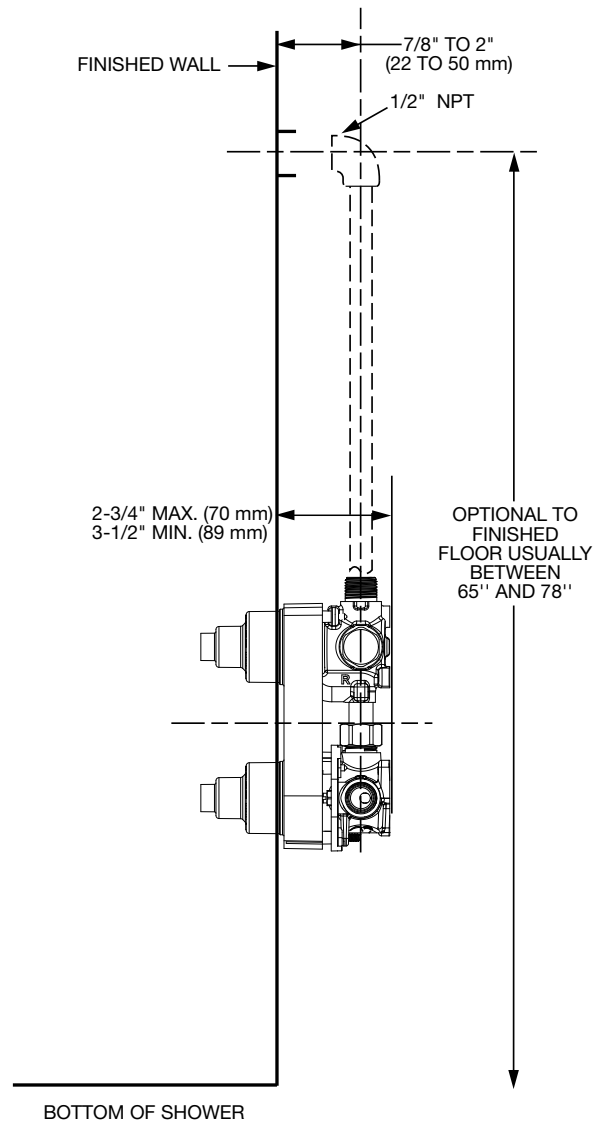
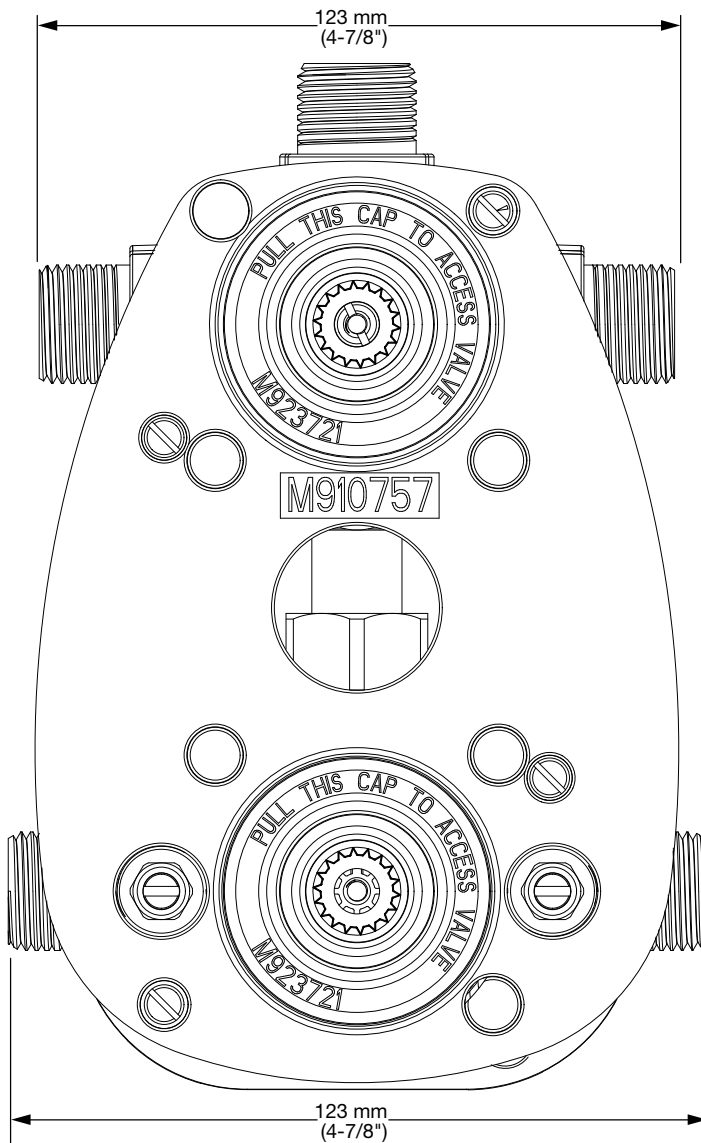
**To ensure that your installation proceeds smoothly-please read
these instructions carefully before you begin.**



Certified to comply with ANSI A112.18.
ASSE 1016

ROUGHING-IN DIMENSIONS

CONNECTIONS ARE: 1/2" NPT



1 STANDARD WALL INSTALLATION

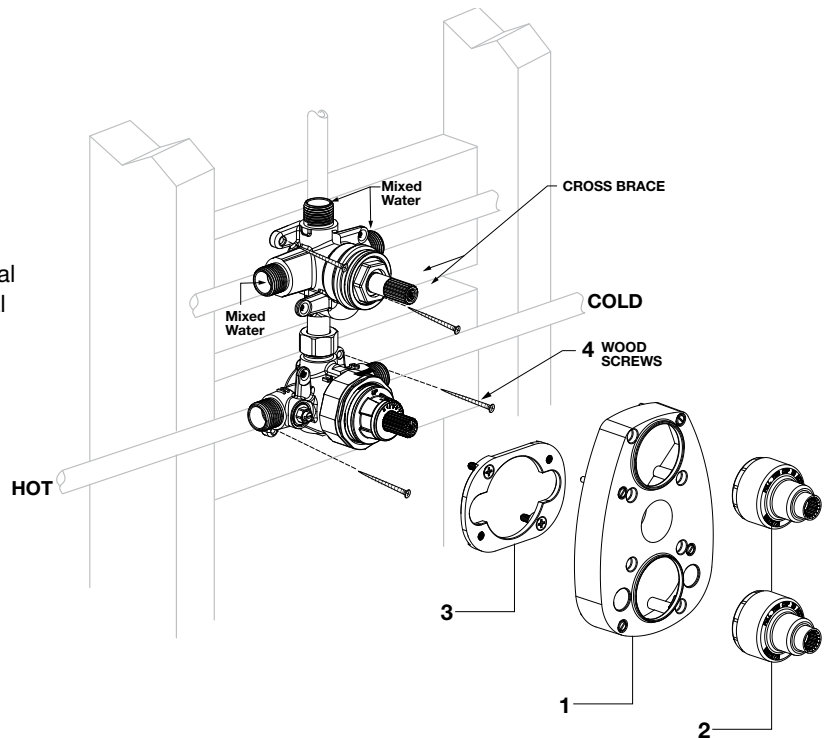
- See rough-in diagram before starting
- Remove the PLASTER GUARD (1) the two CARTRIDGE COVERS (2), and the MOUNTING PLATE (3).
- Mount the valve body to a cross brace (2" x 4") within the wall using four WOOD SCREWS (4).

NOTE: The cross brace can either be two horizontal 2x4s or a single vertical 2x4. If using two horizontal 2x4s, ensure that the mounting surfaces of both planks are aligned.

- Connect the hot and cold water supplies to the inlet ports on the valve body.
- Assemble the pipe connections at the mixed water outlets.

NOTE: The 2-way diverter model will come with the right-side outlet sealed with a nut.

- Reinstall the PLASTER GUARD (1), the two CARTRIDGE COVERS (2), and the MOUNTING PLATE (3) and finish the wall.



2 THIN WALL INSTALLATION

- See rough-in diagram before starting
- Remove the PLASTER GUARD (1), the two CARTRIDGE COVERS (2), and the MOUNTING PLATE (3) for ease of installation.
- Connect the hot and cold water supplies to the inlet ports on the valve body.

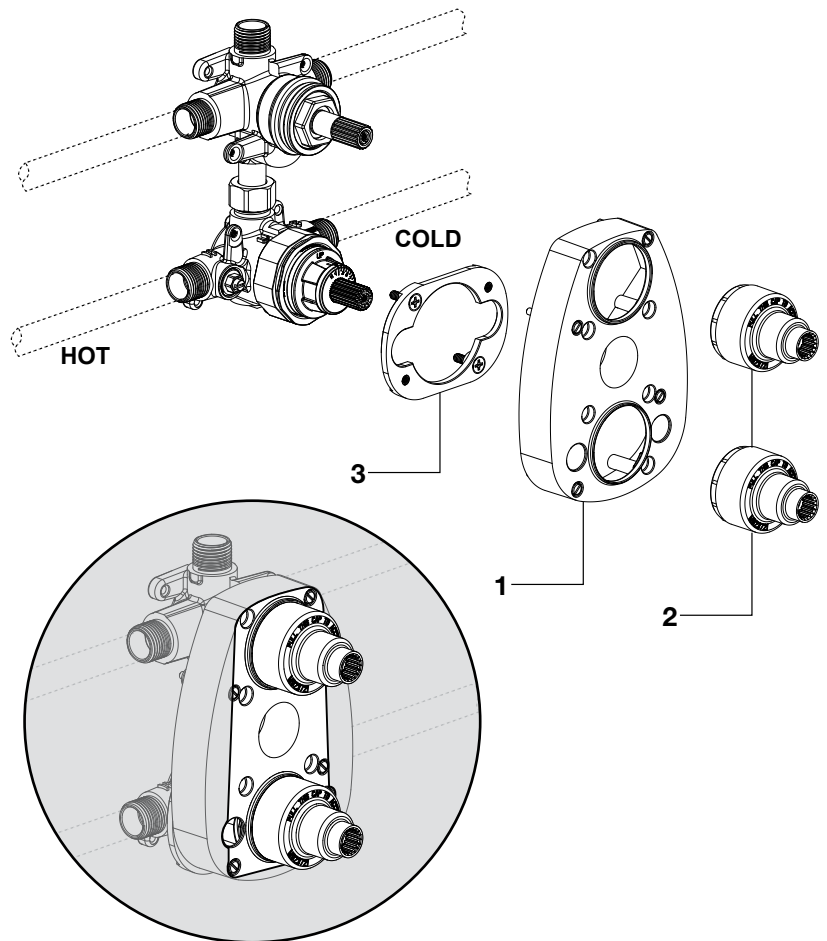
NOTE: The hot and cold water supply pipes will provide the structural support for the valve body until the trim is installed.

- Assemble the pipe connections at the mixed water outlets.

NOTE: The 2-way diverter model will come with the right-side outlet sealed with a nut.

- Reinstall the PLASTER GUARD (1), the two CARTRIDGE COVERS (2), and the MOUNTING PLATE (3) and finish the wall.

NOTE: The valve access hole in the finished wall should follow the provided cutting template. The edges of the face of the PLASTER GUARD (2) should rest against the inside of the finished wall.



HOT LINE FOR HELP

For toll-free information and answers to your questions, call:
 1 (800) 442-1902
 Mon. - Fri. 8:00 a.m. to 8:00 p.m. EST
 Saturday 10:00 a.m. to 4:00 p.m. EST
 IN CANADA 1-800-387-0369
 (TORONTO 1-905-306-1093)
 Weekdays 8:00 a.m. to 7:00 p.m. EST
 IN MEXICO 01-800-839-1200



PART OF LIXIL

Cutting Template for Thin Wall Installation.

