

# INSTALLATION INSTRUCTIONS CARE AND MAINTENANCE

American Standard

Style That Works Better

**Champion® 4 2-piece Toilets**  
Models - 2002, 2018, 2023, 2414, 2585,  
2792, 2586, 2793, 3186, 3404



**Doral Classic™ Champion® 4 2-piece Toilets**  
Models - 2058, 2074, 2076, 2473

**Doral Classic™ Champion® 4 2-piece Toilets**  
Models - 2367, 2368, 2369, 2443

**Oakmont™ Champion® 4 2-piece Toilets**  
Models - 2625, 2627, 2738

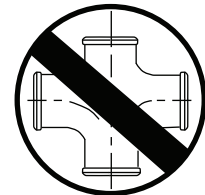
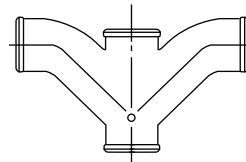
**Portsmouth® Champion® 4 2-piece Toilets**  
Models - 2733, 2735

*Thank you for selecting American Standard - the benchmark of fine quality for over 100 years. To ensure this product is installed properly, please read these instructions carefully before you begin. (Certain installations may require professional help.) Also be sure your installation conforms to local codes.*

**⚠ CAUTION: PRODUCT IS FRAGILE. TO AVOID BREAKAGE AND POSSIBLE INJURY HANDLE WITH CARE!**  
NOTE: Pictures may not exactly define contour of china and components.

## NOTE: BACK-TO-BACK INSTALLATION

Depending upon your plumbing and venting conditions, the flow from the Champion in a back-to-back installation may create a vacuum on the system and draw water from the opposing bowl. The National Standards Plumbing Code prohibits the use of a cross fitting for drainage as throw over is possible. The code does approve a directional "Y" style fitting with proper venting to direct the water downward and away from the other toilet.



Recommended fitting type for back-to-back installations.

## RECOMMENDED TOOLS AND MATERIALS

Putty Knife	Regular Screwdriver	Adjustable Wrench	Sealant
Hacksaw	Wax Ring/Gasket	Flexible Supply Tube	1/2" Deep Well Nut Driver or
Closet Bolts	Tape Measure	Carpenters Level	Deep Well Socket Wrench

## 1 REMOVE OLD TOILET

- Close toilet supply valve and flush tank completely. Towel or sponge remaining water from tank and bowl.
- Disconnect and remove supply line. NOTE: *If replacing valve, first shut off main water supply!*
- Remove old mounting hardware, remove toilet and plug floor waste opening to prevent escaping sewer gases.
- Remove closet bolts from flange and clean away old wax, putty, etc. from base area.

NOTE: *Mounting surface must be clean and level before new toilet is installed!*



730529-100V

Product names listed herein are trademarks of AS America, Inc.  
© AS America, Inc. 2011

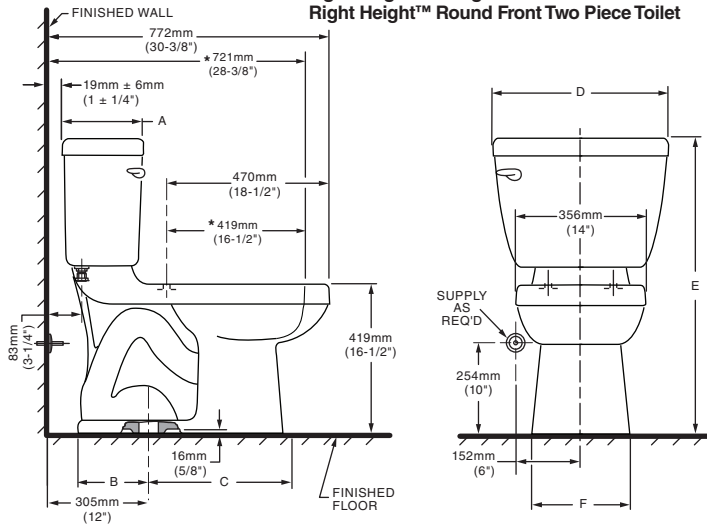
730529-100 Rev. V

SAVE FOR FUTURE USE

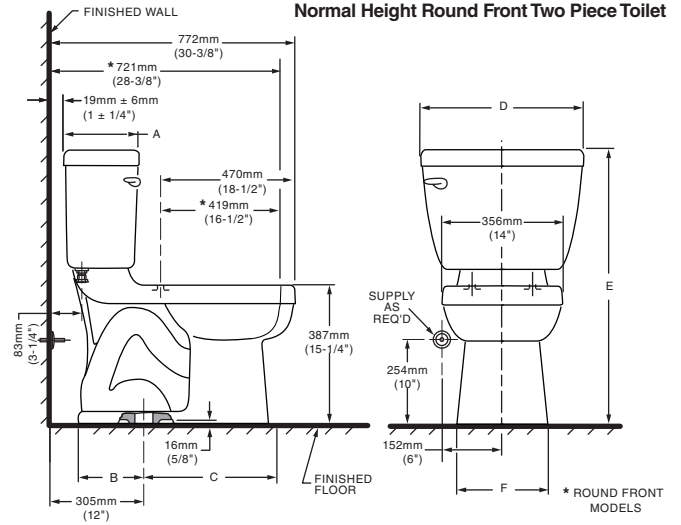
2

**NOTE: DRAWINGS ARE FOR DIMENSIONAL PURPOSES ONLY. THEY ARE NOT EXACT REPRESENTATIONS.**

**ROUGHING-IN DIMENSIONS: Right Height™ Elongated Two Piece Toilet  
Right Height™ Round Front Two Piece Toilet**



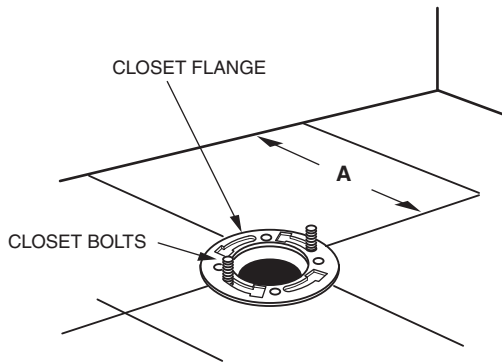
**ROUGHING-IN DIMENSIONS: Normal Height Elongated Two Piece Toilet  
Normal Height Round Front Two Piece Toilet**



**DIMENSIONS**

MODEL	A	B	C	D	E	F
2002, 2414, 2586, 2793, 3186, 3404	235mm (9-1/4)	264mm (10-3/8)	362mm (14-1/4)	464mm (18-1/4)	825mm (32-1/2)	254mm (10)
2018, 2023, 2585, 2792	235mm (9-1/4)	264mm (10-3/8)	362mm (14-1/4)	464mm (18-1/4)	797mm (31-3/8)	254mm (10)
2058	216mm (8-1/2)	264mm (10-3/8)	362mm (14-1/4)	479mm (18-7/8)	873mm (34-3/8)	254mm (10)
2074, 2076	216mm (8-1/2)	264mm (10-3/8)	362mm (14-1/4)	479mm (18-7/8)	851mm (33-1/2)	254mm (10)
2367	216mm (8-1/2)	264mm (10-3/8)	362mm (14-1/4)	492mm (19-3/8)	872mm (34-5/16)	254mm (10)
2368, 2369	216mm (8-1/2)	264mm (10-3/8)	362mm (14-1/4)	492mm (19-3/8)	844mm (33-1/4)	254mm (10)
2625, 2627	216mm (8-1/2)	273mm (10-3/4)	381mm (15)	492mm (19-3/8)	844mm (33-1/4)	286mm (11-1/4)
2738	216mm (8-1/2)	275mm (10-13/16)	384mm (15-1/8)	492mm (19-3/8)	872mm (34-5/16)	295mm (11-5/8)
2733, 2735	216mm (8-1/2)	267mm (10-1/2)	379mm (14-7/8)	479mm (18-7/8)	873mm (34-3/8)	284mm (11-3/16)

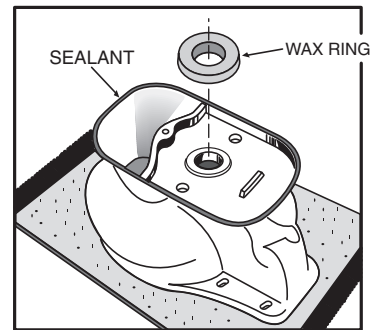
3



**INSTALL CLOSET BOLTS**

Install closet bolts in flange channel, turn 90°, and slide into place 6" (152 mm) apart and parallel to wall.

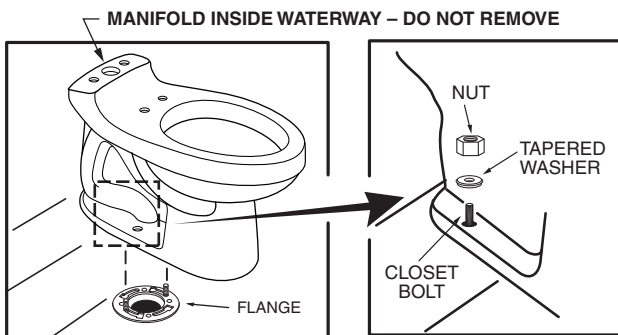
4



**INSTALL WAX SEAL**

Invert toilet on floor (cushion to prevent damage), and install wax ring evenly around waste flange, with tapered end of ring facing toilet. Apply a thin bead of sealant around toilet base.

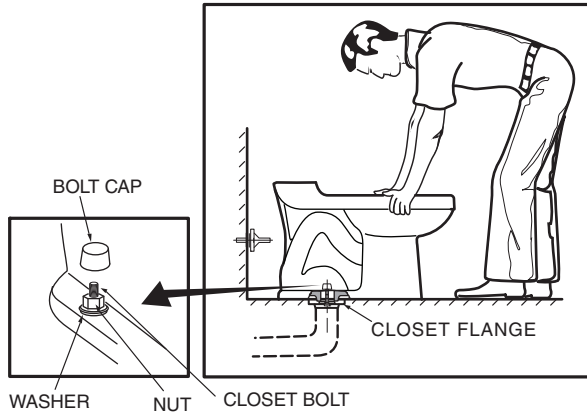
5



**POSITION TOILET ON FLANGE**

- Unplug floor waste opening and install toilet on closet flange so bolts project through mounting holes.
- Loosely install retainer washers and nuts. Side of washers marked "THIS SIDE UP" must face up!

6



**INSTALL TOILET**

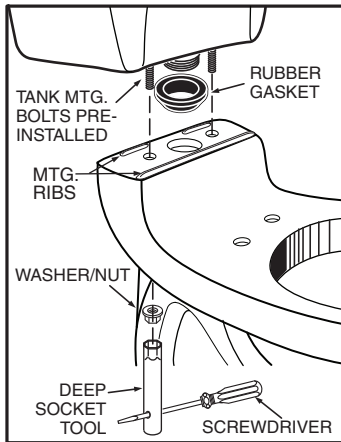
- a. Position toilet squarely to wall and, with a rocking motion, press bowl down fully on wax ring and flange. Alternately tighten nuts until toilet is firmly seated on floor.



**CAUTION:**  
DO NOT OVERTIGHTEN NUTS  
OR BASE MAY BE DAMAGED!

- b. Install caps on washers.  
(If necessary, cut bolt height to size before installing caps.)
- c. Smooth off the bead of sealant around base.  
Remove excess sealant.

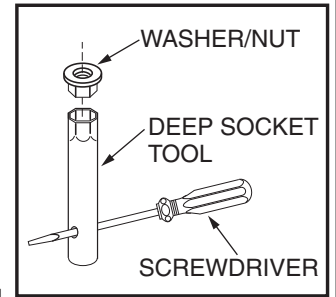
7



**INSTALL TANK**

**Recommended tool: Deep socket tool included in tank kit.**

- a. Install large rubber gasket over threaded outlet on bottom of tank and lower tank onto bowl so that tapered end of gasket fits evenly into bowl water inlet opening, and tank mounting bolts go through mounting holes. Secure with metal washer/nuts. Use the included deep socket tool to help get nuts started on bolts.
- b. With tank parallel to wall, alternately tighten hex nuts keeping tank even and level until tank contacts both front and rear bowl mounting ribs. Do not tighten any further.



**CAUTION:** DO NOT OVERTIGHTEN NUTS MORE THAN REQUIRED FOR A SNUG FIT!  
DO NOT SPIN BOLTS INSIDE TANK WITH A SCREWDRIVER

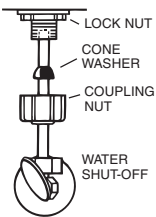
8

**INSTALL TOILET SEAT** Install toilet seat in accordance with manufacturer's directions.

9a

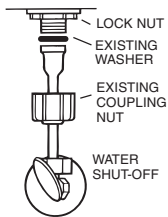
Before continuing, determine the type of water supply connection you have from the chart below and use the appropriate assembly parts required to properly reconnect the water supply. **DO NOT** use plumber's putty to seal these fittings.

**METAL/COPPER FLARED TUBING**



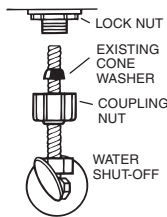
These parts must be used as illustrated to insure water-tight connection. Use of existing coupling nut may result in water leakage. Water supply tube or pipe must extend at least 1/2" inside threaded shank of valve (does not apply to flanged tubing).

**METAL FLANGED TUBING**



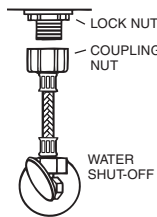
Use existing coupling nut and washer.

**METAL SPIRAL TUBING**



Use existing spiral cone washer. Fluidmaster cone washer may not seal completely on spiral type supply line.

**VINYL/BRAIDED CONNECTOR**



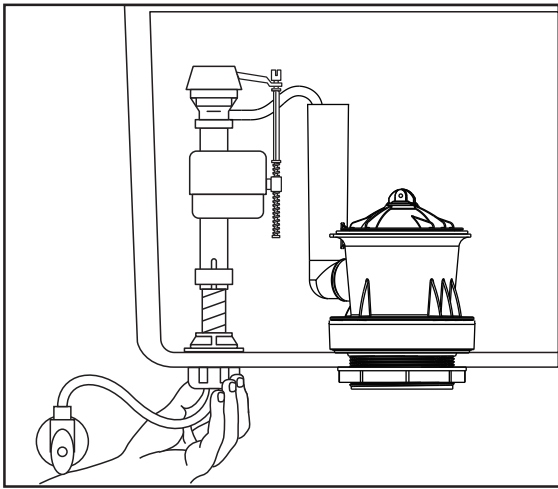
Captive cone washers already included. No additional washers needed.

**CAUTION: DO NOT USE CONE WASHER WITH PLASTIC SUPPLY LINE.**

**CAUTION: Overtightening of LOCK NUT or COUPLING NUT could result in breakage and potential flooding.**

**WARNING:** Do not use plumber's putty, pipe dope, or any other sealant on the water supply connection to this tank. If the connection leaks after hand tightening, replace the supply line. If the connection continues to leak with the new supply line, replace the fill valve.  
**Warranty is void if any type of sealant is used on the water supply connection.**

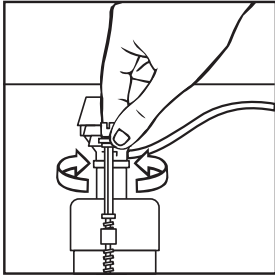
9b



With correct washers in place (see Step 9a), tighten COUPLING NUT 1/4 turn beyond hand tight.

DO NOT OVERTIGHTEN.

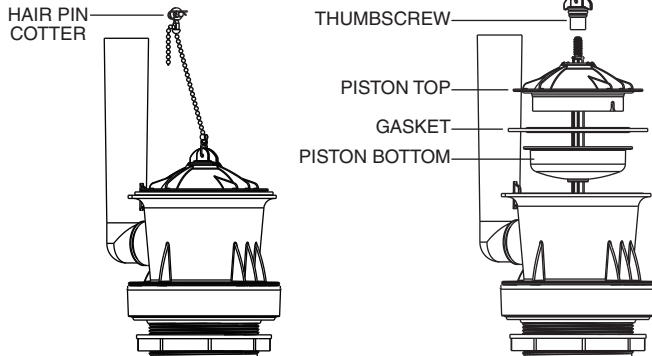
11



Turn on water supply. Submerge the FLOAT CUP under the water for 30 seconds. Adjust the water to desired level by turning WATER LEVEL ADJUSTMENT ROD and moving FLOAT CUP up or down.

13 TROUBLE SHOOTING FLUSH VALVE SEAL REPLACEMENT:

1. Turn off water supply and flush toilet to empty tank.
2. Disconnect chain from trip lever by removing hair pin cotter and clevis pin.
3. Partially lift and support piston bottom with one hand.
4. Remove thumbscrew by turning counter-clockwise.
5. Remove piston top and gasket.
6. Replace gasket with new gasket.
7. Reverse procedure, turn thumbscrew until 2 clicks are felt.



NOTE: DO NOT ADD ANY FOREIGN MATERIALS TO THE SEALING SURFACE.

10

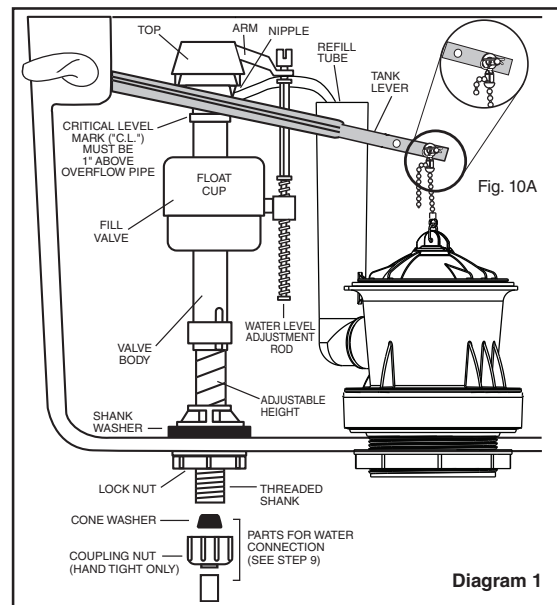


Diagram 1

ADJUSTMENTS

- a. Adjust water level. Water level should be adjusted to level indicated in tank by adjusting float cup. See Step 11 for water level adjustment method.

IMPORTANT:

- b. If bowl fails to siphon, an adjustment may be required with the lift chain. Simply remove the bead chain from the retainment clip (see Fig. 10A) and take up slack on the chain, and reinsert on lift rod. Make sure the chain is not too tight.

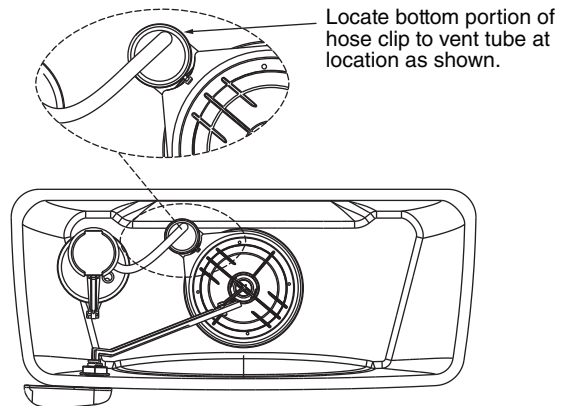
12 CARE AND CLEANING

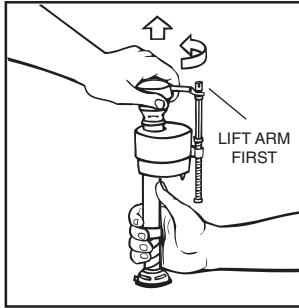
When cleaning your toilet, wash it with mild, soapy water, rinse thoroughly with clear water and dry with a soft cloth.

**WARNING:** Do not use in-tank cleaners. These products can seriously damage fittings in the tank. This damage can cause leakage and property damage.

American Standard shall not be responsible or liable for any damage caused by the use of in-tank cleaners.

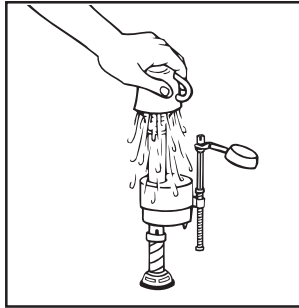
13a REFILL TUBE REPLACEMENT:



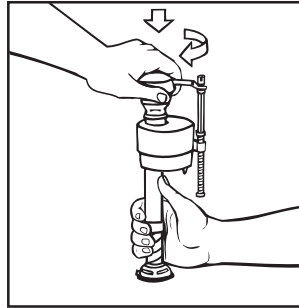


**IMPORTANT: Always clear sand and rust from system.**

- Make sure water supply is off. Remove valve TOP by lifting arm and rotating top and arm 1/8 turn counterclockwise, pressing down slightly on cap.



- While holding a container over the uncapped VALVE to prevent splashing, turn water supply on and off a few times. Leave water supply off.



- Replace TOP by engaging lugs and rotating 1/8 turn clockwise. MAKE CERTAIN TIP IS TURNED TO THE LOCKED POSITION. VALVE MAY NOT TURN ON IF TOP IS NOT FULLY TURNED TO THE LOCKED POSITION.

**TROUBLESHOOTING**

**IF FILL VALVE SHUTS OFF BUT CONTINUES TO LEAK SLOWLY**, repeat Step 14.

**IF FILL VALVE TURNS OFF AND ON DURING PERIODS OF NON-USE**, it is a signal you are wasting water because:

- The end of the refill tube is inserted into overflow pipe, below water level in tank. Attach refill tube to overflow pipe using "S" clip provided.
- The flush valve is leaking because it's worn, dirty or misaligned.

**IF FILL VALVE WON'T TURN ON OR SHUT OFF or REFILL OF TANK WATER IS SLOW** after valve has been in use for some time, Fluidmaster Model 242 Replacement Seal may be needed.

Go to our website at [www.fluidmaster.com](http://www.fluidmaster.com) for more solutions to toilet problems.

For troubleshooting information please contact:



30800 Rancho Viejo Road  
San Juan Capistrano, CA 92675  
(949) 728-2000 (800) 631-2011  
[www.fluidmaster.com](http://www.fluidmaster.com)

© 2001 Fluidmaster, Inc.  
© Registered trademark of Fluidmaster, Inc.

Always use quality Fluidmaster repair parts when maintaining your Fluidmaster products. Fluidmaster shall not be responsible or liable for any damages caused by products used with Fluidmaster valves that were not manufactured by Fluidmaster, Inc.

**REPAIR PARTS LIST**

Repair parts are determined by toilet tank number which can be found marked inside tank.

**NOTE:** "XXX" represents color or trim finish options. Specify when ordering.

PART NO.	DESCRIPTION	4266 Tank With 735128 Cover	4266 RH Tank With 735128 Cover	4272 Tank With 735109 Cover	4281 Tank With 735113 Cover
738995-XXX0A	Champion® 4 LH Trip Lever	✓			
738997-XXX0A	Champion® 4 RH Trip Lever		✓		
738835-XXX0A	Champion® 4 LH Trip Lever			✓	
738837-XXX0A	Champion® 4 LH Trip Lever				✓
034783-XXX0A	Bolt Cap Kit (Incl. 2 Covers & Washers)	✓	✓	✓	✓
738565-424-0070A	Champion® 4 Fluidmaster 400a Valve	✓	✓	✓	✓
7301111-0070A	Champion® 4 Flush Valve Seal Kit	✓	✓	✓	✓
3174.002-0070A	Champion® 4 Flush Valve Assembly	✓	✓	✓	✓
738985-0070A	Champion® 4 Clevis Pin Assembly	✓	✓	✓	✓
738570-1010A	Champion® 4 PVC Refill Tube	✓	✓	✓	✓
738756-0070A	Champion® 4 Tank To Bowl Coupling Kit #241	✓	✓	✓	✓
735128-400-XXX	Champion® 4 Tank Cover	✓	✓		
735109-400-XXX	Champion® 4 Tank Cover			✓	
735113-400-XXX	Champion® 4 Tank Cover				✓
072989-0070A	Clip for Refill Tube	✓	✓	✓	✓

**TROUBLESHOOTING GUIDE**

PROBLEM	POSSIBLE CAUSE	CORRECTIVE ACTION
Does not flush	a. Water supply valve closed. b. Supply line blocked.  c. Flush valve chain too loose or disconnected. d. Sand or debris lodged in water control.	a. Open valve and allow water to fill tank. b. Shut off water supply, disconnect supply line and inspect all gaskets and washers. Reassemble. Also, see Fluidmaster maintenance. (see Step 14) c. Readjust chain length as required. d. Shut off water supply. Remove cap and clean as per Step 14.
Poor or sluggish flush	a. Bowl water level too low. b. Supply valve partly closed. c. Partially clogged trapway and/or drain pipe and/or vent. d. Supply pressure too low. e. Flush valve chain too tight, holding flush valve open.	a. Check that refill tube is connected to water control and inserted into tank overflow without being kinked or damaged. (see Step 13a) b. Open supply valve fully. Be sure that proper supply tube size is used. c. Remove obstruction. Consult a plumber if necessary. d. Normal supply pressure must be at least 20 psi. e. Readjust chain length as needed. Review Step 10.
Toilet leaks	a. Poor supply line connection. b. Poor bowl to tank/floor connection.	a. Review Step 9 of installation procedure. b. Review Step 4 through 7 of installation procedure.
Toilet does not shut off	a. Flush valve seal leaking or deformed. b. Sand or debris lodged in water control.	a. Clean debris from seal surface. Replace flush valve seal as needed. (see Step 13) b. Shut off water supply. Remove cap and clean as per Step 14.

**In the United States:**  
American Standard Brands  
P.O. Box 6820  
Piscataway, New Jersey 08855  
Attention: Director of Customer Care  
For residents of the United States, warranty information may also be obtained by calling the following toll free number: (800) 442-1902  
[www.americanstandard.com](http://www.americanstandard.com)

**In Canada:**  
AS Canada, ULC  
5900 Avebury Rd.  
Mississauga, Ontario  
Canada L5R 3M3  
Toll Free: (800) 387-0369  
[www.americanstandard.ca](http://www.americanstandard.ca)

**In Mexico:**  
American Standard B&K Mexico  
S. de R.L. de C.V.  
Via Morelos #330  
Col. Santa Clara  
Ecatepec 55540 Edo. Mexico  
Toll Free: 01-800-839-1200  
[www.americanstandard.com.mx](http://www.americanstandard.com.mx)

# INSTRUCTIONS D'INSTALLATION ENTRETIEN ET NETTOYAGE

American Standard

Style That Works Better



**Champion® 4 Toilette 2 pièces**  
**Modèles - 2002, 2018, 2023, 2414,**  
**2585, 2792, 2586, 2793, 3186, 3404**

**Doral Classic™ Champion® 4 Toilette 2 pièces**  
**Modèles - 2058, 2074, 2076, 2473**

**Doral™ Champion® 4 Toilette 2 pièces**  
**Modèles - 2367, 2368, 2369, 2443**

**Oakmont™ Champion® 4 Toilette 2 pièces**  
**Modèles - 2625, 2627, 2738**

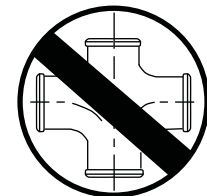
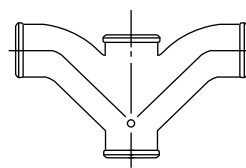
**Portsmouth® Champion® 4 Toilette 2 pièces**  
**Modèles - 2733, 2735**

*Nous vous remercions d'avoir choisi American Standard, synonyme de qualité supérieure depuis plus de 100 ans. Pour s'assurer que ce produit soit bien installé, veuillez lire ces instructions attentivement avant de commencer. (Certaines installations peuvent requérir une aide professionnelle.) Assurez-vous également que votre installation se conforme aux codes locaux.*

**⚠ ATTENTION: CE PRODUIT EST FRAGILE. POUR ÉVITER LES BRIS ET DES BLESSURES, MANIPULER AVEC SOIN!**  
NOTE: Les dessins peuvent ne pas correspondre exactement aux contours de l'appareil ou des composantes.

## REMARQUE: INSTALLATION FACE À FACE

Selon les conditions de l'installation de plomberie et d'aération, le débit du modèle Champion dans une installation face à face peut créer une dépression dans le système et « aspirer » l'eau du réservoir opposé. Le code national des normes en matière de plomberie interdit l'utilisation d'un raccord en croix aux fins de drainage puisqu'il peut se produire des débordements. Le code autorise l'installation d'un raccord directionnel en "Y" muni de l'aération appropriée afin de diriger l'eau vers le bas et de l'éloigner de l'autre toilette.



Type de raccord recommandé pour les installations face à face.

## OUTILS ET MATÉRIAUX RECOMMANDÉS

Spatule de vitrier	Tournevis plat	Clé universelle	Scellant	Ruban à mesurer
Scie à métaux	Rondelle/joint en cire	Tuyau d'alimentation flexible	Boulons de toilette	Niveau
Tournevis à douille à puits profond de 1/2 po ou Clé à douille à puits profond				

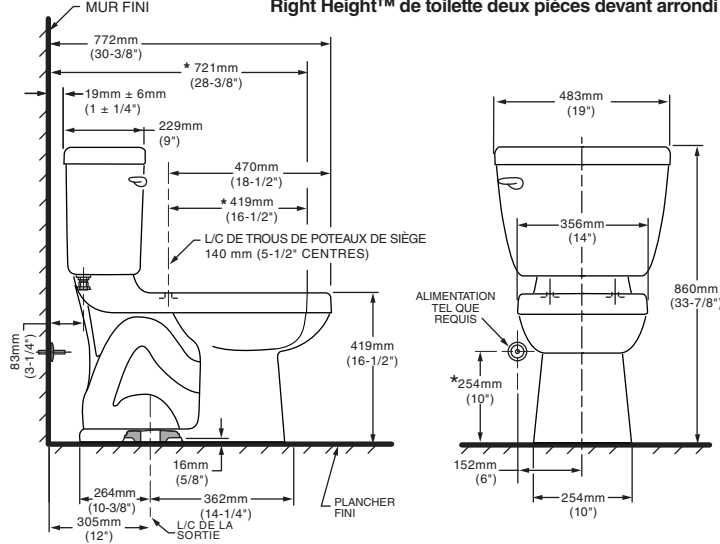
### 1 ENLEVER LA VIEILLE TOILETTE

- Fermer le robinet d'alimentation de la toilette et vider le réservoir complètement. Essuyer le reste de l'eau du réservoir et de la toilette avec une serviette ou une éponge.
- Débrancher et enlever le tuyau d'alimentation. NOTE: Si le robinet doit être remplacé, fermer d'abord l'alimentation d'eau!
- Enlever les vieux boulons de montage, enlever la toilette et fermer l'ouverture du renvoi pour éviter les odeurs d'égout.
- Enlever les boulons de la toilette de la collerette et nettoyer la vieille cire, le vieux mastic, etc à la base.  
NOTE: La surface de montage doit être propre et de niveau avant d'installer la nouvelle toilette!

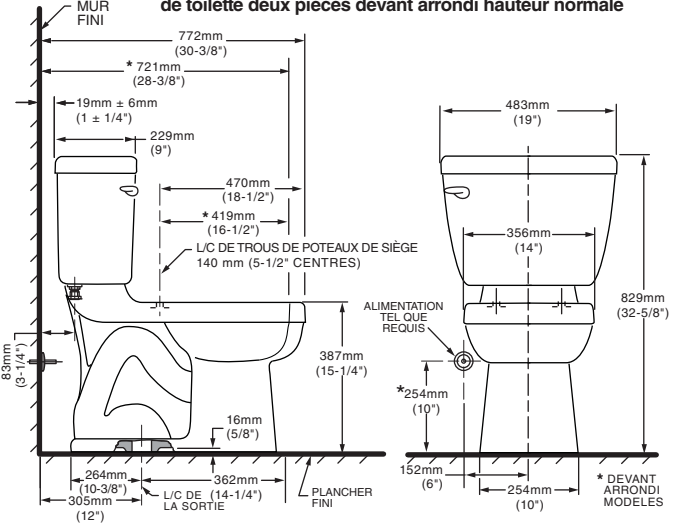
C O N S E R V E R P O U R R É F É R E N C E F U T U R E

**2 REMARQUE: LES ILLUSTRATIONS SERVENT À INDIQUER LES DIMENSIONS UNIQUEMENT. IL NE S'AGIT PAS DE PEPRÉSENTATIONS EXACTES.**

**DIMENSIONS D'INSTALLATION: Right Height™ de toilette deux pièces allongée**  
**Right Height™ de toilette deux pièces devant arrondi**



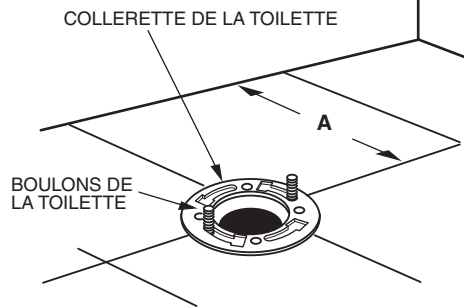
**DIMENSIONS D'INSTALLATION: de toilette deux pièces allongée hauteur normale**  
**de toilette deux pièces devant arrondi hauteur normale**



**DIMENSIONS**

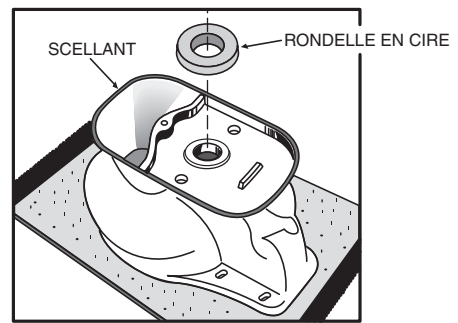
MODÈLE	A	B	C	D	E	F
2002, 2414, 2586, 2793, 3186, 3404	235mm (9-1/4)	264mm (10-3/8)	362mm (14-1/4)	464mm (18-1/4)	825mm (32-1/2)	254mm (10)
2018, 2023, 2585, 2792	235mm (9-1/4)	264mm (10-3/8)	362mm (14-1/4)	464mm (18-1/4)	797mm (31-3/8)	254mm (10)
2058	216mm (8-1/2)	264mm (10-3/8)	362mm (14-1/4)	479mm (18-7/8)	873mm (34-3/8)	254mm (10)
2074, 2076	216mm (8-1/2)	264mm (10-3/8)	362mm (14-1/4)	479mm (18-7/8)	851mm (33-1/2)	254mm (10)
2367	216mm (8-1/2)	264mm (10-3/8)	362mm (14-1/4)	492mm (19-3/8)	872mm (34-5/16)	254mm (10)
2368, 2369	216mm (8-1/2)	264mm (10-3/8)	362mm (14-1/4)	492mm (19-3/8)	844mm (33-1/4)	254mm (10)
2625, 2627	216mm (8-1/2)	273mm (10-3/4)	381mm (15)	492mm (19-3/8)	844mm (33-1/4)	286mm (11-1/4)
2738	216mm (8-1/2)	275mm (10-13/16)	384mm (15-1/8)	492mm (19-3/8)	872mm (34-5/16)	295mm (11-5/8)
2733, 2735	216mm (8-1/2)	267mm (10-1/2)	379mm (14-7/8)	479mm (18-7/8)	873mm (34-3/8)	284mm (11-3/16)

**3**



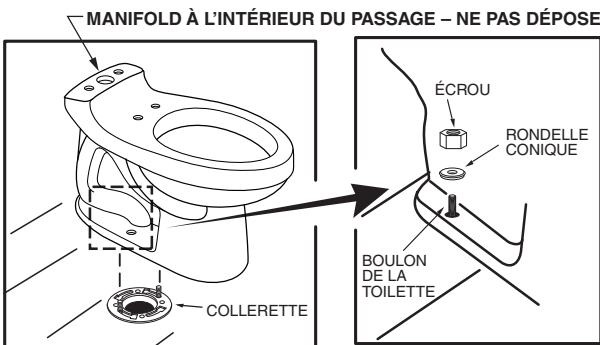
**INSTALLER LES BOULONS DE LA TOILETTE**  
 Passer les boulons de la toilette dans les ouvertures de la collerette, tourner 90° pour glisser en place, 152 mm (6 po) entre chacun et parallèles au mur.

**4**



**INSTALLER LE JOINT EN CIRE**  
 Renverser la toilette sur le plancher (protéger contre les dommages), et installer la rondelle en cire uniformément autour de la collerette de vidange, le côté plus étroit de la rondelle vers la toilette. Appliquer un mince trait de scellant autour de la base de la toilette.

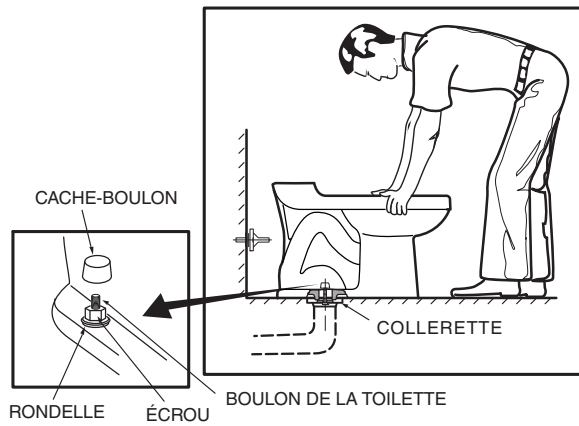
**5**



**PLACER LA TOILETTE SUR LA COLLERETTE**

- Dégager l'ouverture du renvoi dans le plancher et installer la toilette sur la collerette de manière à ce que les boulons passent à travers les trous de montage.
- Installer sans serrer les rondelles et écrous de retenue. Le côté des rondelles marqué « CE CÔTÉ EN HAUT » doit être vers le haut!

6



### INSTALLER LA TOILETTE

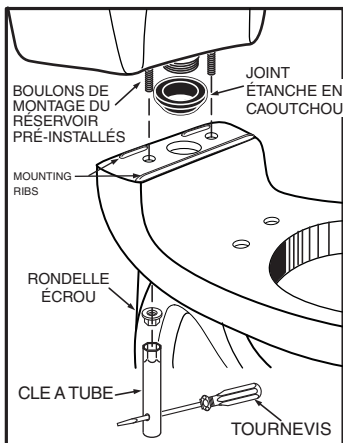
- Placer la toilette en ligne droite avec le mur et, en balançant, presser la cuvette vers le bas complètement sur la rondelle en cire et la collerette. Resserrer les écrous en alternant jusqu'à ce que la toilette soit solidement appuyée au sol.



**ATTENTION:**  
NE PAS TROP SERRER LES ÉCROUS  
OU LA BASE POURRAIT ÊTRE ENDOMMAGÉE!

- Installer les cache-boulons sur les rondelles. (Si nécessaire, couper le boulon à la bonne longueur avant d'installer les cache-boulons.)
- Lisser le trait de scellant autour de la base. Enlever l'excédent de scellant.

7



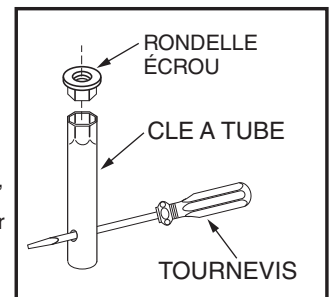
### INSTALLER LE RÉSERVOIR

**Outil recommandé: Outil à douille longue inclus avec le réservoir.**

- Installer le gros joint de caoutchouc autour de la sortie filetée sous le réservoir et descendre le réservoir sur la cuvette, le côté étroit du joint s'ajustant uniformément dans l'ouverture de l'entrée d'eau de la cuvette, et les boulons passant à travers les trous de montage. Fixer avec les rondelles et écrous de métal. Utiliser la clé à tube fournie afin d'engager les écrous sur les vis de fixation.
- Assurez vous que le réservoir est parallèle au mur, serrez chaque écrou alternativement pour maintenir le réservoir de niveau jusqu'à ce qu'il soit en contact avec la toilette à l'avant et à l'arrière. Ne pas serrer plus que nécessaire.



**ATTENTION:** NE PAS SERRER LES ÉCROUS PLUS QUE NÉCESSAIRE POUR L'EMBOÎTER PARFAITEMENT!  
NE PAS VISSER LES VIS À L'INTERIEUR DU RÉSERVOIR AVEC UN TOURNEVIS.



8

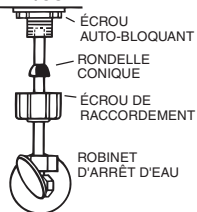
### INSTALLER LE SIÈGE DE TOILETTE

Installer le siège de toilette selon les instructions du fabricant.

9a

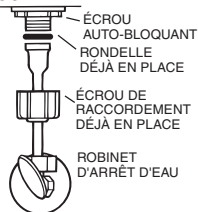
Avant de poursuivre, déterminer le type de connexion pour l'approvisionnement d'eau dont vous disposez à partir du schéma ci-dessous et utiliser les pièces d'assemblage appropriées pour rebrancher comme il se doit la conduite d'amenée d'eau. Ne JAMAIS utiliser de mastic de plomberie pour sceller ces raccords de tuyauterie.

#### TUBE BISEAUTÉ EN MÉTAL/CUIVRE



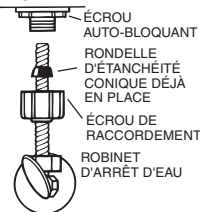
Ces pièces doivent être utilisées comme sur l'illustration afin d'assurer un raccordement étanche. L'utilisation des écrous de raccordement déjà en place peut occasionner des fuites d'eau. Le tube ou le tuyau servant à l'approvisionnement en eau doit se prolonger d'au moins 1/2 po. à l'intérieur du raccord fileté de la valve (ne s'applique pas dans le cas de tuyaux à collerette).

#### TUBE MÉTALLIQUE À COLLERETTE



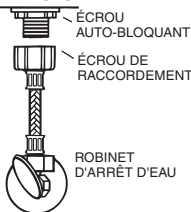
Utiliser les écrous de raccordement et la rondelle d'étanchéité en place.

#### TUBE MÉTALLIQUE EN SPIRALE



Utiliser la rondelle conique en spirale en place. Les rondelles coniques Fluidmaster peuvent ne pas offrir un scellement complet en présence d'un tuyautage d'alimentation en spirale.

#### VINYL/BRAIDED CONNECTOR



Des rondelles coniques captives sont fournies. Aucune autre rondelle n'est requise.

**ATTENTION: NE PAS UTILISER DE RONDELLE CONIQUE EN PRÉSENCE D'UN TUYAUTAGE D'ALIMENTATION EN PLASTIQUE.**

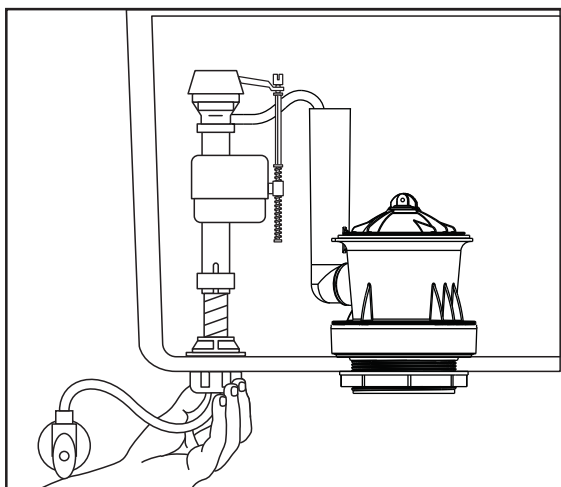
**ATTENTION: Si les ÉCROUS AUTO-BLOQUANTS ou les ÉCROUS DE RACCORDEMENT sont trop resserrés, il pourrait en résulter un bris, voire une inondation.**



**AVERTISSEMENT :** Ne pas utiliser de mastic de plombier, pâte lubrifiante ou autre produit d'étanchéité sur les raccords de la conduite d'alimentation d'eau reliés à ce réservoir. Si le raccordement présente une fuite après le serrage à la main, remplacer la conduite d'alimentation. Si le raccordement présente toujours une fuite avec une conduite d'alimentation neuve, remplacer le robinet de remplissage. **La garantie sera annulée si un produit d'étanchéité est utilisé sur ce raccordement de conduite d'alimentation d'eau.**



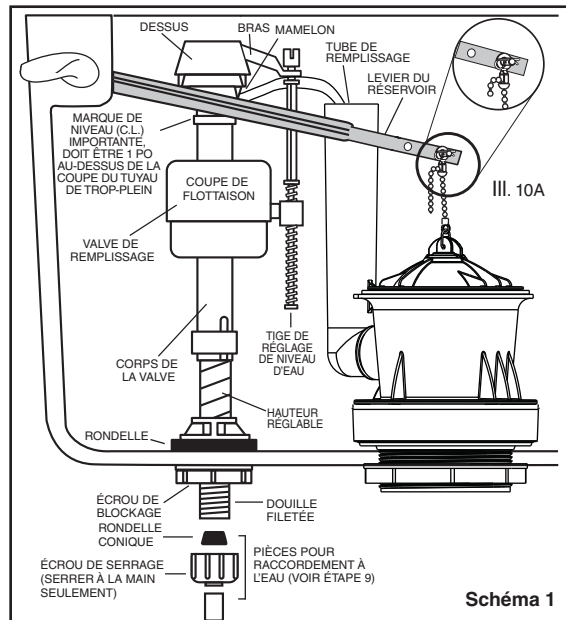
9b



Ayant positionné les rondelles appropriées (voir l'étape 9A), resserrer manuellement l'ÉCROU DE RACCORDEMENT de 1/4 de tour.

ÉVITER DE TROP SERRER.

10



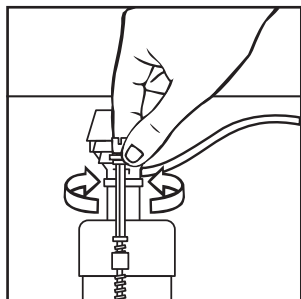
### RÉGLAGES

- Régler le niveau d'eau. Ce dernier doit correspondre au niveau indiqué sur le réservoir, en réglant le flotteur de chasse d'eau. Voir l'étape 11 pour connaître la méthode de réglage du niveau d'eau.

### IMPORTANT:

- Si la cuvette ne se vide pas, il sera peut-être nécessaire d'effectuer un ajustement de la chaîne de levage. Enlever tout simplement la chaîne de la pince de retenue (voir III. 10A), la remonter pour enlever du jeu et insérer à nouveau dans la tige de levage. S'assurer que la chaîne n'est pas trop tendue.

11



Ouvrir l'alimentation d'eau.  
Plonger le FLOTTEUR sous l'eau pendant 30 secondes.  
Régler le niveau de l'eau en tournant la TIGE DE RÉGLAGE DE NIVEAU D'EAU et en faisant monter et descendre le FLOTTEUR.

12

### ENTRETIEN ET NETTOYAGE

Pour nettoyer votre toilette, laver avec de l'eau et un savon doux, rincer abondamment à l'eau claire et essuyer avec un chiffon doux.



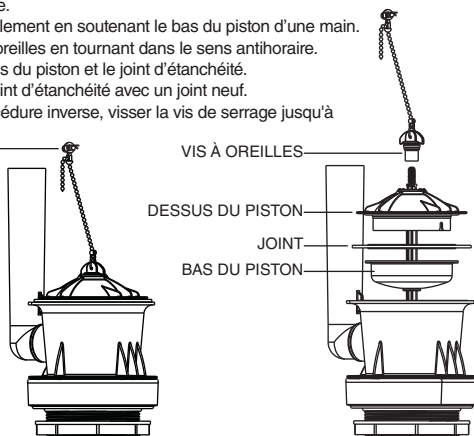
**ATTENTION:** Ne pas utiliser de nettoyeurs à l'intérieur du réservoir. Ces produits peuvent endommager gravement la robinetterie dans le réservoir. Ces dommages peuvent causer des fuites et des dommages matériels.

**American Standard n'est pas responsable ou imputable des dommages causés par l'utilisation de nettoyeurs à l'intérieur du réservoir.**

### 13 DÉPANNAGE DE LA VALVE DE CHASSE: REMPLACEMENT DU JOINT D'ÉTANCHÉITÉ:

1. Fermer l'alimentation d'eau et tirer la chasse pour vider le réservoir.
2. Retirer la cheville à goupille et l'axe d'assemblage pour décrocher la chaîne du levier de chasse.
3. Soulever partiellement en soutenant le bas du piston d'une main.
4. Retirer la vis à oreilles en tournant dans le sens antihoraire.
5. Retirer le dessus du piston et le joint d'étanchéité.
6. Remplacer le joint d'étanchéité avec un joint neuf.
7. Effectuer la procédure inverse, visser la vis de serrage jusqu'à

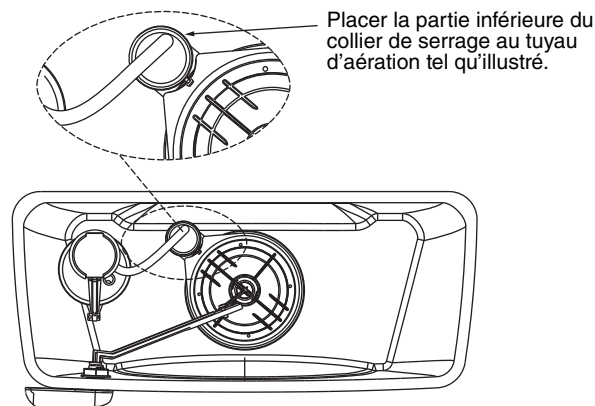
deux déclics.  
CHEVILLE À GOUPILLE

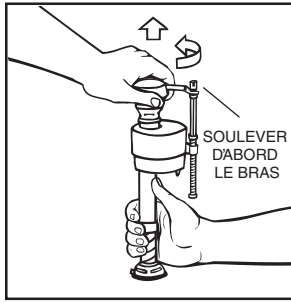


**REMARQUE: NE PAS AJOUTER DE MATÉRIAUX ÉTRANGERS À LA SURFACE D'ÉTANCHÉITÉ.**

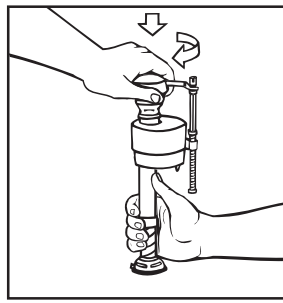
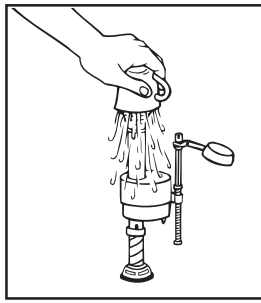
13a

### REMPACEMENT DU TUBE DE REMPLISSAGE :





SOULEVER D'ABORD LE BRAS



**IMPORTANT : Il ne doit jamais y avoir ni trace de sable ni de rouille dans le système.**

- S'assurer que la conduite d'amenée d'eau est fermée. Enlever le CAPUCHON de la valve en levant le bras et en tournant le dessus et le bras de 1/8 de tour, dans le sens antihoraire, poussant légèrement le capuchon vers le bas.

- Tout en tenant un récipient au-dessus de la VALVE qui se trouve à découvert afin d'éclabousser le moins possible, ouvrir et fermer la conduite d'amenée d'eau à quelques reprises, puis la fermer.

- Replacer le CAPUCHON en enclenchant le cran et en le faisant tourner de 1/8 de tour, dans le sens horaire. S'ASSURER QUE L'EMBOÛT EST À LA POSITION VERROUILLÉE. IL SE PEUT QUE LA VALVE NE PUISSE S'OUVRIRE SI LE CAPUCHON N'EST PAS COMPLÈTEMENT TOURNÉ À LA POSITION VERROUILLÉE.

Il importe de toujours utiliser des pièces de rechange de qualité Fluidmaster au moment d'effectuer l'entretien de vos produits Fluidmaster. Fluidmaster ne peut être tenue responsable des dommages causés par des produits qui sont utilisés avec des valves Fluidmaster mais qui n'ont pas été fabriqués par Fluidmaster, inc.

**DÉPANNAGE FLUIDMASTER**

**SI LA VALVE DE REMPLISSAGE SE FERME, MAIS CONTINUE TOUJOURS À FUIR LENTEMENT,** répéter l'étape 14.

**SI LA VALVE DE REMPLISSAGE SE FERME ET S'OUVRE, MÊME LORSQUE PERSONNE NE L'UTILISE,** cela indique qu'il y a une fuite d'eau parce que:

- l'extrémité du tube de remplissage de la cuvette est inséré dans le tuyau de trop-plein, sous le niveau d'eau dans le réservoir. Fixer alors le tuyau de remplissage au tuyau de trop-plein, à l'aide du collier de serrage «S» fourni;
- la valve de chasse fuit car elle est trop usée, sale ou mal alignée (remplacer le joint d'étanchéité ou la valve de chasse).

**SI VOUS ÊTES INCAPABLE D'OUVRIRE OU DE FERMER LA VALVE** ou si le REMPLISSAGE DU RÉSERVOIR D'EAU SE FAIT TROP LENTEMENT après que la valve ait été en usage pendant un certain temps, il faudrait songer à opter pour le scellant de remplacement modèle 242 de Fluidmaster.

Pour tout renseignement concernant le dépannage, voici nos coordonnées :

**Garantie du fabricant sur la première année du robinet de remplissage :**

**Fluidmaster Inc**

30800 Rancho Viejo Road  
San Juan Capistrano, CA 92675  
(949) 728-2000 (800) 631-2011

www.fluidmaster.com © 2001 Fluidmaster, Inc. Registered trademark of Fluidmaster, Inc.

**LISTE DES PIÈCES DE RECHANGE**

Les pièces dépendent du numéro indiqué à l'intérieur du réservoir de la toilette.

**NOTE:** "XXX" représente les options de couleur ou de fini. Spécifier sur la commande

NO DE RÉF.	DESCRIPTION				
		RÉSEROIR 4266 AVEC COUVERCLE 735128	RÉSEROIR 4266 AVEC COUVERCLE 735128	RÉSEROIR 4272 AVEC COUVERCLE 735109	RÉSEROIR 4281 AVEC COUVERCLE 735113
738995-XXX0A	Champion® 4 Levier de chasse gche	✓			
738997-XXX0A	Champion® 4 Levier de chasse dte		✓		
738835-XXX0A	Champion® 4 Levier de chasse gche			✓	
738837-XXX0A	Champion® 4 Levier de chasse gche				✓
034783-XXX0A	Trousse de cache-boulons (incl. 2 capuchons et rondelles)	✓	✓	✓	✓
738565-424-0070A	Valve 400a Fluidmaster Champion® 4	✓	✓	✓	✓
7301111-0070A	Jeu de joints de robinet de fond de cuve Champion® 4	✓	✓	✓	✓
3174.002-0070A	Robinet de fond de cuve Champion® 4	✓	✓	✓	✓
738985-0070A	Jeu de goupille Champion® 4	✓	✓	✓	✓
738570-1010A	Tuyau de remplissage PVC Champion® 4	✓	✓	✓	✓
738756-0070A	Trousse de couplage, cuvette-réservoir no 241 Champion® 4	✓	✓	✓	✓
735128-400-XXX	Couvercle de réservoir Champion® 4	✓	✓		
735109-400-XXX	Couvercle de réservoir Champion® 4			✓	
735113-400-XXX	Couvercle de réservoir Champion® 4				✓
072989-0070A	Agrafe pour tube de remplissage	✓	✓	✓	✓

**GUIDE DE DÉPISTAGE DES PROBLÈMES**

PROBLÈME	CAUSE POSSIBLE	ACTION CORRECTIVE
Pas de chasse	a. Robinet d'alimentation fermé. b. Alimentation bloquée.  c. Chaîne de la valve de chasse trop longue ou détachée. d. Sable ou débris dans la commande d'eau.	a. Ouvrir le robinet et remplir le réservoir. b. Fermer l'alimentation en eau, enlever le tuyau d'alimentation et vérifier tous les joints d'étanchéité et les rondelles. Assembler à nouveau. Se reporter aussi à l'entretien des produits Fluidmaster (se reporter à l'étape 14). c. Ajuster à nouveau la longueur de la chaîne tel que requis. d. Fermer l'alimentation en eau. Enlever le capuchon et nettoyer tel qu'indiqué à l'étape 14.
Chasse faible ou lente	a. Niveau d'eau de la cuvette trop bas.  b. Robinet d'alimentation partiellement fermé.  c. Passage de chasse et/ou drainage et/ou d. Pression d'alimentation trop basse. e. La chaîne de la valve de chasse est trop serrée, la valve de chasse reste ouverte.	a. Vérifier si le tuyau de remplissage est raccordé à la commande d'eau et inséré dans le trop-plein du réservoir et n'est pas plié ou endommagé (se reporter à l'étape 13a). b. Ouvrir le robinet d'alimentation complètement. S'assurer que le tuyau d'alimentation est de la bonne dimension. c. Enlever ce qui peut obstruer. Consulter un plombier si nécessaire. d. La pression d'alimentation minimale doit être de 20 lb/po <sup>2</sup> . e. Ajuster à nouveau la longueur de la chaîne tel que requis. Réviser l'étape 10.
Fuites de la toilette	a. Raccordement du tuyau d'alimentation mal fait. b. Raccordement cuvette-réservoir/plancher mal fait.	a. Réviser l'étape 9 de la procédure d'installation. b. Réviser les étapes 4 à 7 de la procédure d'installation.
La toilette ne s'arrête pas	a. Siège de la valve de chasse et/ou trappe usés ou déformés.  b. Sable ou débris dans la commande d'eau.	a. Nettoyer les débris à la surface du joint d'étanchéité. Remplacer au besoin le joint d'étanchéité de la valve de chasse (se reporter à l'étape 13) b. Fermer l'alimentation en eau. Enlever le capuchon et nettoyer tel qu'indiqué à l'étape 14.

**Aux États-Unis:**  
American Standard Brands  
P.O. Box 6820  
Piscataway, New Jersey 08855  
Attention: Directeur du Service à la clientèle  
Les résidents des États-Unis peuvent aussi obtenir des informations à propos de la garantie en composant le numéro sans frais (800) 442-1902  
www.americanstandard.com

**Au Canada:**  
AS Canada, ULC  
5900 Avebury Rd.  
Mississauga, Ontario  
Canada L5R 3M3  
Sans frais: (800) 387-0369  
www.americanstandard.ca

**Au Mexique :**  
American Standard B&K Mexico  
S. de R.L. de C.V.  
Via Morelos n° 330  
Col. Santa Clara  
Ecatepec 55540 Edo. Mexico  
Sans frais: 01-800-839-1200  
www.americanstandard.com.mx

# INSTRUCCIONES DE INSTALACIÓN CUIDADO Y MANTENIMIENTO

American Standard

Style That Works Better



**Champion®4 Inodoros de 2 piezas**  
**Models - 2002, 2018, 2023, 2414, 2585,**  
**2792, 2586, 2793, 3186, 3404**

**Doral Classic™ Champion® 4 Inodoros de 2 piezas**  
**Modelos - 2058, 2074, 2076, 2473**

**Doral™ Champion® 4 Inodoros de 2 piezas**  
**Modelos - 2367, 2368, 2369, 2443**

**Oakmont™ Champion® 4 Inodoros de 2 piezas**  
**Modelos - 2625, 2627, 2738**

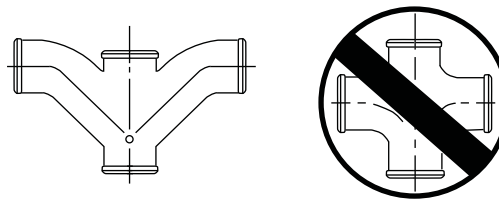
**Portsmouth® Champion® 4 Inodoros de 2 piezas**  
**Modelos - 2733, 2735**

Gracias por seleccionar American Standard – el parámetro de primera calidad por más de 100 años. Para asegurar la instalación apropiada de este producto, lea cuidadosamente estas instrucciones antes de empezar. (Ciertas instalaciones pueden requerir asistencia profesional.) También asegúrese de que su instalación cumpla con los códigos locales.

- ⚠ PRECAUCIÓN: EL PRODUCTO ES FRÁGIL. ¡MANÉJESE CON CUIDADO PARA EVITAR QUE SE QUIEBRE Y LA POSIBILIDAD DE QUE USTED SE LASTIME!**  
NOTA: Es posible que las ilustraciones no definan exactamente el contorno de la pieza y sus componentes.

## NOTA: INSTALACIÓN EN OPOSICIÓN

Dependiendo de las condiciones de plomería y de ventilación, el flujo del Champion en una instalación en oposición puede crear un vacío en el sistema y sacar agua de la taza opuesta. El Código nacional de normas de plomería (National Standards Plumbing Code) prohíbe el uso de un accesorio cruzado para el drenaje, debido a la posibilidad de rechazo. El código aprueba un accesorio direccional tipo "Y" con una ventilación adecuada para dirigir el agua hacia abajo y lejos del otro inodoro.



Tipo de accesorio recomendado para instalaciones en oposición.

## HERRAMIENTAS Y MATERIALES RECOMENDADOS

Espátula	Desarmador regular	Llave inglesa	Sellador	Cinta de medir
Segueta	Anillo de cera/empaque	Tubo de suministro flexible	Tornillos de fijación del inodoro	Nivel de carpintero
Llave para tuercas para receso profundo o llave de cubo para receso profundo de 1/2"				

## 1 QUITAR EL INODORO ANTERIOR

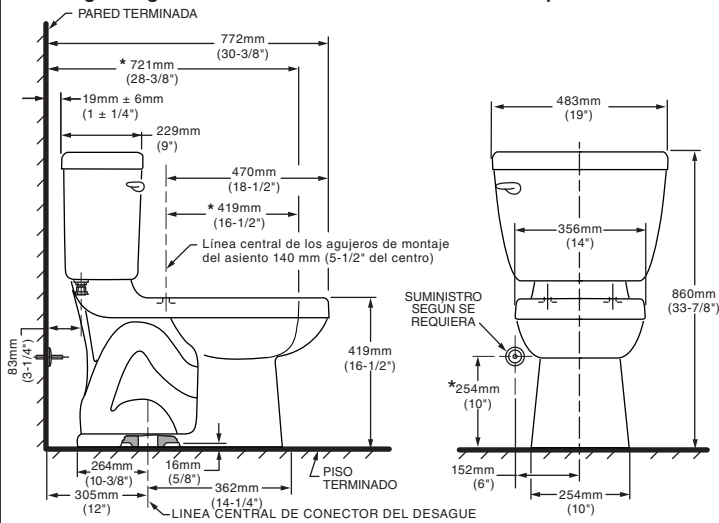
- Cierre la válvula de suministro del inodoro y bájele al tanque completamente. Seque con toalla o con esponja el agua restante en el tanque y la taza.
- Desconecte la línea de suministro y quítela. NOTA: Si se va a reemplazar la válvula, ¡primero cierre el suministro principal de agua!
- Quite las piezas de ferretería de montaje anteriores, quite el inodoro y coloque un tapón en la abertura de desechos del piso para prevenir que se escapen gases del drenaje.
- Quite los tornillos de fijación del reborde del inodoro y limpie la cera anterior, la masilla, etc. del área de la base.  
NOTA: La superficie de montaje debe estar limpia y nivelada antes de instalar el inodoro nuevo.

2

**NOTA: LOS DIBUJOS SON SÓLO PARA FINES DIMENSIONALES. NO SON REPRESENTACIONES EXACTAS.**

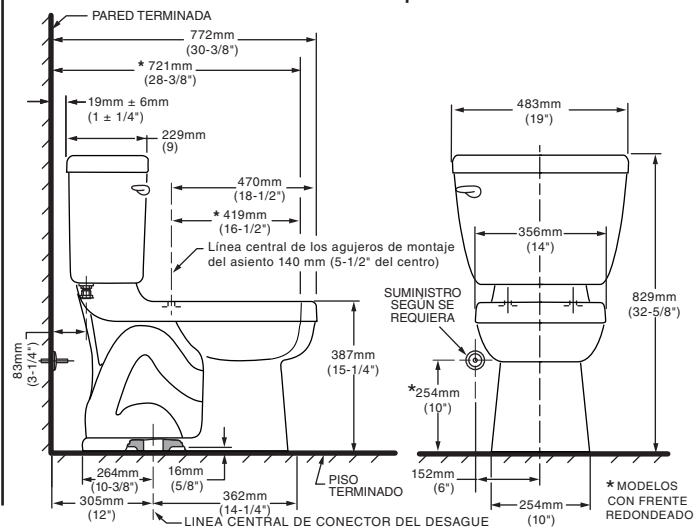
**DIMENSIONES APROXIMADAS:**

**Right Height™ Inodoro alargado de dos piezas**  
**Right Height™ Inodoro con frente redondeado de dos piezas**



**DIMENSIONES APROXIMADAS:**

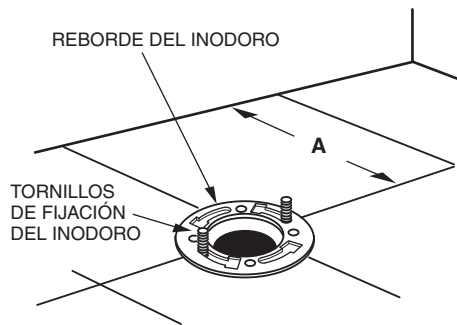
**Inodoro alargado de dos piezas de altura normal**  
**Inodoro con frente redondeado de dos piezas de altura normal**



**DIMENSIONES**

MODELO	A	B	C	D	E	F
2002, 2414, 2586, 2793, 3186, 3404	235mm (9-1/4)	264mm (10-3/8)	362mm (14-1/4)	464mm (18-1/4)	825mm (32-1/2)	254mm (10)
2018, 2023, 2585, 2792	235mm (9-1/4)	264mm (10-3/8)	362mm (14-1/4)	464mm (18-1/4)	797mm (31-3/8)	254mm (10)
2058	216mm (8-1/2)	264mm (10-3/8)	362mm (14-1/4)	479mm (18-7/8)	873mm (34-3/8)	254mm (10)
2074, 2076	216mm (8-1/2)	264mm (10-3/8)	362mm (14-1/4)	479mm (18-7/8)	851mm (33-1/2)	254mm (10)
2367	216mm (8-1/2)	264mm (10-3/8)	362mm (14-1/4)	492mm (19-3/8)	872mm (34-5/16)	254mm (10)
2368, 2369	216mm (8-1/2)	264mm (10-3/8)	362mm (14-1/4)	492mm (19-3/8)	844mm (33-1/4)	254mm (10)
2625, 2627	216mm (8-1/2)	273mm (10-3/4)	381mm (15)	492mm (19-3/8)	844mm (33-1/4)	286mm (11-1/4)
2738	216mm (8-1/2)	275mm (10-13/16)	384mm (15-1/8)	492mm (19-3/8)	872mm (34-5/16)	295mm (11-5/8)
2733, 2735	216mm (8-1/2)	267mm (10-1/2)	379mm (14-7/8)	479mm (18-7/8)	873mm (34-3/8)	284mm (11-3/16)

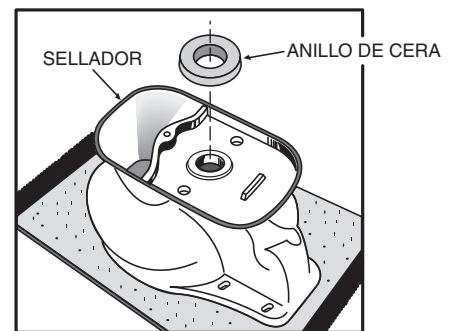
3



**INSTALACIÓN DE LOS TORNILLOS DEL INODORO**

Instale los tornillos de instalación del inodoro en el canal del reborde, gire 90° y acomode deslizándolo 6" (152 mm) de separado y paralelo a la pared.

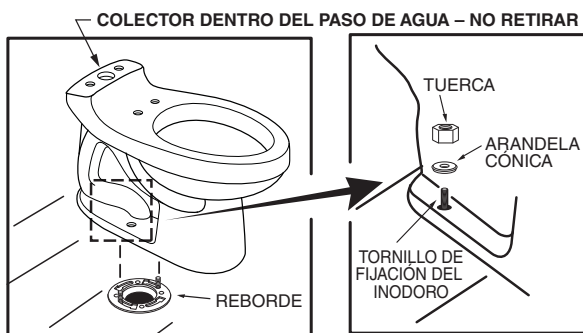
4



**INSTALACIÓN DEL SELLO DE CERA**

Invierta el inodoro en el piso (protéjalo con una almohadilla para prevenir daño), e instale el anillo de cera de manera uniforme alrededor del reborde de desecho, con el extremo rebajado del anillo hacia el inodoro. Aplique un borde delgado de sellador alrededor de la base del inodoro.

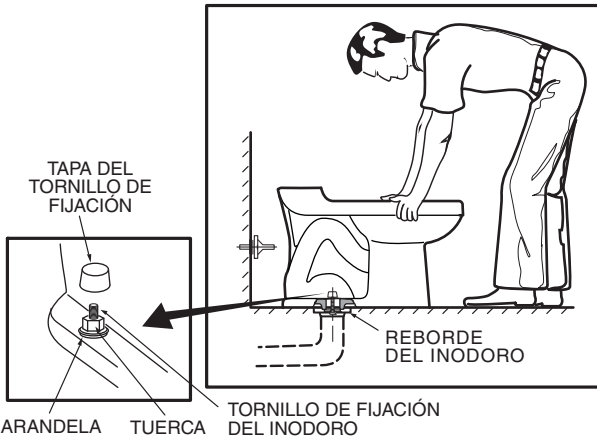
5



**COLOQUE EL INODORO EN EL REBORDE**

- Desconecte la abertura de desechos del piso e instale el inodoro sobre el reborde del inodoro de manera que los tornillos de fijación salgan por los agujeros de montaje.
- Instale sin apretar las arandelas de retención y las tuercas. El lado de las arandelas marcado con "THIS SIDE UP" (Este lado hacia arriba) debe ir hacia arriba.

6



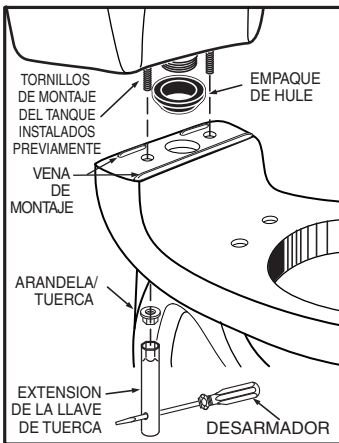
**INSTALACIÓN DEL INODORO**

- a. Alinee el inodoro con la pared y, con un movimiento de vaivén, presione la taza completamente sobre el anillo de cera y el reborde. De manera alternada, apriete las tuercas hasta que el inodoro quede firmemente asentado en el piso.

**⚠ PRECAUCIÓN:**  
**¡NO APRIETE EXCESIVAMENTE LAS TUERCAS O SE PUEDE DAÑAR LA BASE!**

- b. Instale las tapas sobre las arandelas. (Si es necesario, corte los tornillos a la altura adecuada antes de instalar las tapas.)
- c. Alise el borde de sellador alrededor de la base. Remueva el exceso de sellador.

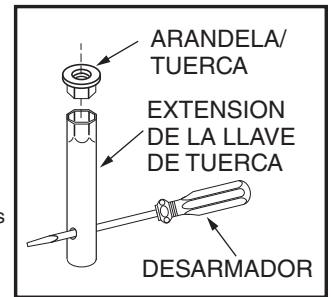
7



**INSTALACIÓN DEL TANQUE**

**Herramienta recomendada: Herramienta o llave de tubo larga que se incluye con el juego del tanque.**

- a. Instale el empaque de plástico grande sobre el escape roscado de la parte inferior del tanque y baje el tanque sobre la taza de manera que el extremo rebajado del empaque quede nivelado en la abertura de entrada de agua de la taza y que los tornillos de montaje del tanque pasen por los agujeros de montaje. Afiance con arandelas y tuercas de metal. Use la extensión de la llave de tuercas para comenzar a apretar los tornillos.
- b. Con el tanque paralelo a la pared, apriete alternadamente las tuercas hexagonales manteniendo el tanque a nivel de lado a lado. Continuar apretando las tuercas hasta que el tanque haga contacto con la parte de atrás y adelante y quede fijo. No apriete para fomentar.

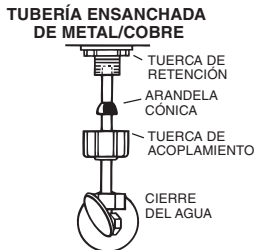


**⚠ PRECAUCIÓN:** ¡NO APRIETE LAS TUERCAS MÁS DE LO NECESARIO PARA OBTENER UN AJUSTE PRECISO! NO HAGA GIRAR LOS TORNILLOS DENTRO DEL TANQUE CON UN DESARMADOR.

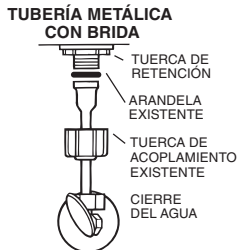
8

**INSTALACIÓN DEL ASIENTO DEL INODORO** Instale el asiento del inodoro de acuerdo a las instrucciones del fabricante.

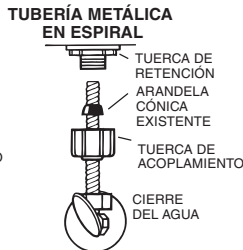
- 9a Antes de continuar, identifique el tipo de conexión de suministro de agua que utiliza en el gráfico que aparece más adelante y utilice las piezas de montaje adecuadas para volver a conectar el suministro de agua de manera correcta. NO emplee masilla de plomero para sellar estas conexiones.



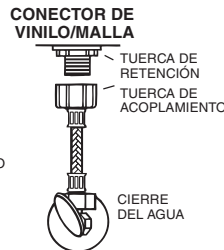
Estas piezas deben utilizarse de la manera en que se ilustra para asegurar una conexión estanca. Si se utiliza una tuercas de acoplamiento existente es posible que se produzcan fugas de agua. La tubería de suministro de agua debe penetrar al menos 1,25 cm (1/2 pulg.) en la parte roscada de la válvula (esto no se aplica a las tuberías con brida).



Utilice la tuercas de acoplamiento y la arandela existentes.



Utilice la arandela cónica en espiral existente. Es posible que la arandela cónica Fluidmaster no selle por completo en la línea de suministro de tipo espiral.



Ya se incluyen arandelas cónicas cautivas. No es necesario utilizar arandelas adicionales.

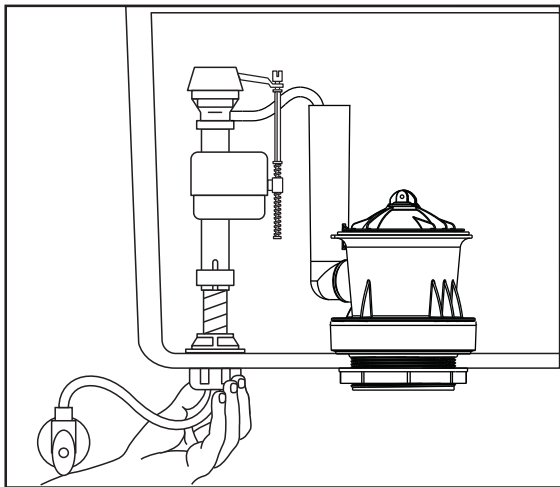
**PRECAUCIÓN: NO UTILICE ARANDELAS CÓNICAS EN LÍNEAS DE SUMINISTRO DE PLÁSTICO.**

**PRECAUCIÓN: Si la TUERCA DE RETENCIÓN o la TUERCA DE ACOPLAMIENTO se aprietan de manera excesiva, podría producirse una ruptura y el consiguiente anegamiento.**

**⚠ ADVERTENCIA:** No use masilla de plomero, grasa para rosca de cañerías o cualquier otro sellante en la conexión del suministro de agua de este tanque. Si existe una fuga en la conexión después de haber apretado manualmente la conexión, cambie la línea de suministro. Si persiste la fuga con la nueva línea de suministro, reemplace la válvula de llenado.

**La garantía quedará anulada si se utiliza cualquier tipo de sellante en la conexión del suministro de agua.**

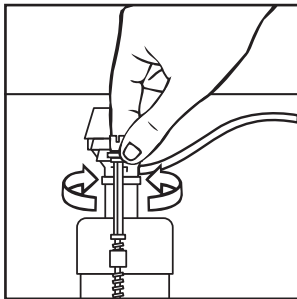
9b



Una vez que las arandelas estén colocadas (vea el Paso 9a), apriete LA TUERCA DE ACOPLAMIENTO 1/4 de vuelta después de apretar al máximo con la mano.

NO APRIETE EN EXCESO.

11

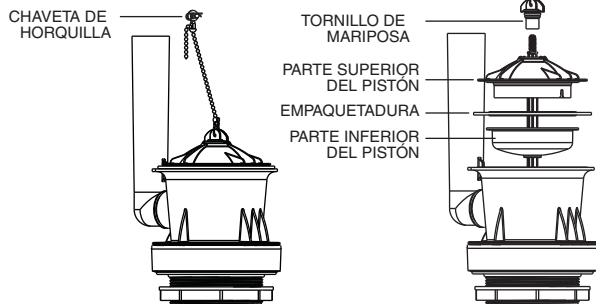


Abra el suministro principal de agua. Sumerja el FLOTADOR bajo el agua por 30 segundos. Ajuste el nivel del agua a la altura deseada girando la PRESILLA DE AJUSTE DEL NIVEL DEL AGUA y deslizando el FLOTADOR hacia arriba y abajo.

13

**SOLUCIÓN DE PROBLEMAS VÁLVULA DE DESCARGA: REEMPLAZO DEL SELLO:**

1. Cierre el suministro del agua y descargue el inodoro para vaciar el tanque.
2. Desconecte la cadena de la palanca de descarga retirando la chaveta y el pasador de horquilla.
3. Levante levemente y sostenga la parte inferior del pistón con una mano.
4. Retire el tornillo de mariposa girándolo hacia la izquierda.
5. Retire la parte superior del pistón y la empaquetadura.
6. Cambie la empaquetadura y ponga una nueva.
7. Haga el procedimiento inverso, gire el tornillo de mariposa hasta que escuche 2 clic.



NOTA: NO AGREGUE NINGÚN MATERIAL EXTRAÑO A LA SUPERFICIE DE SELLADO

10

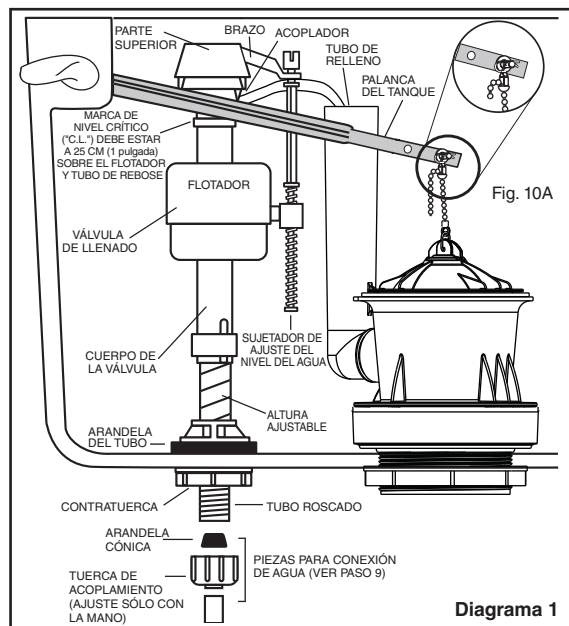


Diagrama 1

**AJUSTES**

- a. Ajuste el nivel del agua. Ésta debe ajustarse al nivel que indica el tanque mediante el ajuste del flotador. Vea el Paso 11 sobre el método de ajuste del nivel del agua.

**IMPORTANTE**

- b. Si la taza no realiza la descarga, puede ser necesario ajustar la cadena de elevación. Simplemente saque la cadena de cuentas de la pinza de retención (ver Fig. 10A), acorte lo que queda flojo de la cadena y vuelva a insertarla en la varilla de elevación. Asegúrese que la cadena no quede demasiado tirante.

12

**CUIDADO Y LIMPIEZA**

Cuando limpie el inodoro, lávelo con agua con jabón suave, enjuague completamente con agua limpia y seque con un paño suave.

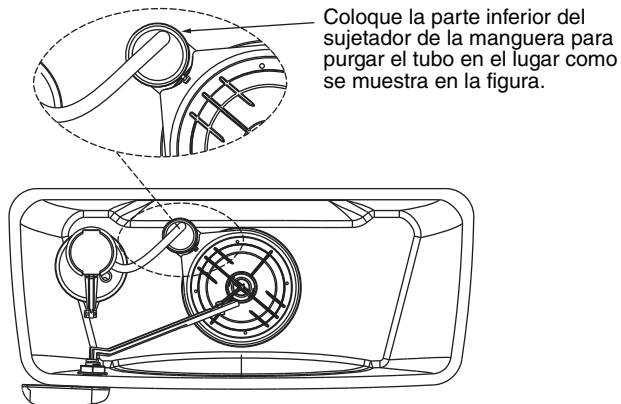


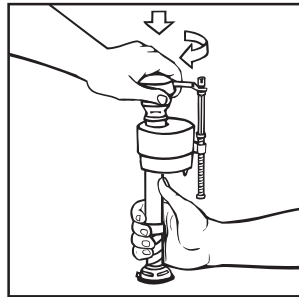
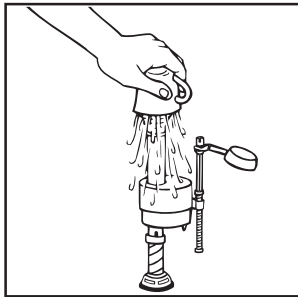
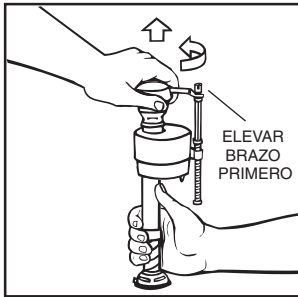
**ADVERTENCIA:** No use limpiadores dentro del tanque. Esos productos pueden dañar seriamente los accesorios del tanque. Dicho daño puede provocar fugas y daños a la propiedad.

**American Standard no será responsable civil ni legal por ningún daño provocado por el uso de limpiadores dentro del tanque.**

13a

**REEMPLAZO DEL TUBO DE RELLENO:**





**IMPORTANTE:** Elimine siempre la arena y el óxido que pueda haber en el sistema.

• Compruebe que el paso de agua está cerrado. Retire la parte SUPERIOR de la válvula; para ello, levante el brazo y hágalo girar con la parte superior 1/8 de vuelta de derecha a izquierda, haciendo una leve presión sobre la tapa.

• Coloque un recipiente sobre la VÁLVULA abierta para evitar derrames y abra y cierre el paso del agua varias veces. Deje el paso de agua cerrado.

• Vuelva a colocar la parte SUPERIOR encajando los bordes de sujeción y girando 1/8 de vuelta de izquierda a derecha. ASEGÚRESE DE QUE LA PUNTA QUEDE ORIENTADA HACIA LA POSICIÓN DE BLOQUEO. ES POSIBLE QUE LA VÁLVULA NO FUNCIONE SI LA PARTE SUPERIOR NO ESTA COMPLETAMENTE GIRADA HACIA LA POSICIÓN DE BLOQUEO.

**SOLUCIÓN DE PROBLEMAS FLUIDMASTER**

SI LA VÁLVULA DE SUMINISTRO SE CIERRA PERO SIGUE PERDIENDO AGUA POCO A POCO, repita el Paso 14.

• SI LA VÁLVULA DE SUMINISTRO SE CIERRA Y ABRE CUANDO NO SE USA, es señal de desperdicio de agua a causa de que:

- El extremo del tubo de carga está introducido en el tubo de rebose, debajo del nivel de agua del tanque. Fije el tubo de carga al de rebose con el sujetador en "S" suministrado.
- La válvula de descarga tiene una fuga porque está gastada, sucia o mal alineada (reemplace el sello o la válvula de descarga).

SI LA VÁLVULA DE SUMINISTRO NO FUNCIONA O SE CIERRA, o LA CARGA DEL TANQUE ES LENTA después de que la válvula haya estado en uso durante un tiempo, es posible que deba utilizar sello de reemplazo Fluidmaster Modelo 242.

Para obtener más información sobre la solución de problemas del inodoro, visite nuestro sitio Web en [www.fluidmaster.com](http://www.fluidmaster.com).

Para obtener información sobre la solución de problemas, comuníquese con:

**Fluidmaster Inc**

30800 Rancho Viejo Road  
San Juan Capistrano, CA 92675  
(949) 728-2000 (800) 631-2011

[www.fluidmaster.com](http://www.fluidmaster.com) © 2001 Fluidmaster, Inc. Marca registrada de Fluidmaster, Inc.

Use siempre repuestos Fluidmaster de calidad cuando repare los productos Fluidmaster. Fluidmaster no se hace responsable de ningún daño provocado por productos utilizados con válvulas Fluidmaster que no estén fabricados por Fluidmaster, Inc.

**LISTA DE PIEZAS DE REEMPLAZO**

Las piezas están determinadas por el número del tanque del inodoro que se encuentra marcado en el interior del tanque.

**NOTA:** "XXX" y "YYY" representan las opciones de color y acabados del herraje del tanque. Especifique con el pedido.

Nº DE PIEZA	DESCRIPCIÓN	4266 Tanque con 735128 Cubierta	4266 RH Tanque con 735128 Cubierta	4272 Tanque con 735109 Cubierta	4281 Tanque con 735113 Cubierta
738995-XXX0A	Palanca de descarga LH Champion® 4	✓			
738997-XXX0A	Palanca de descarga RH Champion® 4		✓		
738835-XXX0A	Palanca de descarga LH Champion® 4			✓	
738837-XXX0A	Palanca de descarga LH Champion® 4				✓
034783-XXX0A	Juego de tapas de pernos (incluye 2 cubiertas y arandelas)	✓	✓	✓	✓
738565-424-0070A	Válvula 400a Fluidmaster Champion® 4	✓	✓	✓	✓
7301111-0070A	Conjunto de sello de válvula de descarga Champion® 4	✓	✓	✓	✓
3174.002-0070A	Conjunto de válvula de descarga Champion® 4	✓	✓	✓	✓
738985-0070A	Conjunto del pasador de horquilla Champion® 4	✓	✓	✓	✓
738570-1010A	Tubo de relleno de PVC Champion® 4	✓	✓	✓	✓
738756-0070A	Juego de acoplamiento tanque a taza #241 Champion® 4	✓	✓		✓
735128-400-XXX	Cubierta del tanque Champion® 4	✓	✓		
735109-400-XXX	Cubierta del tanque Champion® 4			✓	
735113-400-XXX	Cubierta del tanque Champion® 4				✓
072989-0070A	Clip para tubo de relleno	✓	✓	✓	✓

**GUÍA DE LOCALIZACIÓN DE FALLAS**

PROBLEMA	CAUSA POSIBLE	CORRECTIVA MEDIDA
No baja	a. La válvula del suministro de agua está cerrada. b. La línea de suministro está bloqueada.  c. La cadena de la válvula de vaciado está demasiado suelta o desconectada. d. Hay arena o basura alojada en el control de agua.	a. Abra la válvula y permita que el agua llene el tanque. b. Cierre el suministro de agua, desconecte la línea de suministro e inspeccione todos los empaques y arandelas. Vuelva a ensamblar. Consulte también las instrucciones de mantenimiento de Fluidmaster (consulte el paso 14). c. Reajuste la longitud de la cadena según se requiera.  d. Cierre el suministro de agua. Quite la tapa y limpie de acuerdo con el paso 14.
Funcionamiento pobre o lento	a. El nivel del agua de la taza está demasiado bajo. b. La válvula de suministro está cerrada parcialmente. c. La trampa y/o el tubo de drenaje y/o el respiradero está parcialmente obstruido. d. La presión del suministro está demasiado baja. e. La cadena de la válvula de descarga está demasiado tensa, haciendo que la válvula de vaciado permanezca abierta.	a. Compruebe que el tubo de relleno esté conectado al control de agua e insertado en el tubo de derrame del tanque sin partes enroscadas ni dañadas. (consulte el paso 13a) b. Abra totalmente la válvula de suministro. Asegúrese de usar la medida de tubo de suministro adecuada. c. Remueva la obstrucción. Consulte con un plomero si fuera necesario.  d. La presión del suministro normal debe ser de 20 psi por lo menos. e. Reajuste la longitud de la cadena según sea necesario. Revise el paso 10.
Fugas del inodoro	a. Mala conexión de la línea del suministro. b. Mala conexión de la taza al tanque/piso.	a. Revise el paso 9 del procedimiento de instalación. b. Revise los pasos 4 al 7 del procedimiento de instalación.
El inodoro no se cierra	a. El asiento de la válvula de vaciado y/o la tapa está demasiado usada o deformada. b. Hay arena o basura alojada en el control del agua.	a. Limpie los residuos de la superficie del sello. Cambie el sello de la válvula de descarga si es necesario (con el paso 13) b. Cierre el suministro de agua. Quite la tapa y limpie de acuerdo con el paso 14.

**En los Estados Unidos:**  
American Standard Brands  
P.O. Box 6820  
Piscataway, New Jersey 08855  
Atención: Director de Servicio al Cliente  
Para los residentes en los Estados Unidos, la información de la garantía puede obtenerse también llamando al siguiente número sin cargo: (800) 442-1902  
[www.americanstandard.com](http://www.americanstandard.com)

**En Canadá:**  
AS Canada, ULC  
5900 Avebury Rd.  
Mississauga, Ontario  
Canadá L5R 3M3  
Número sin cargo: (800) 387-0369  
[www.americanstandard.ca](http://www.americanstandard.ca)

**En México:**  
American Standard B&K México  
S. de R. L. de C.V.  
Vía Morelos #330  
Col. Santa Clara  
Ecatepec 55540 Edo. México  
Número sin cargo: 01-800-839-1200  
[www.americanstandard.com.mx](http://www.americanstandard.com.mx)