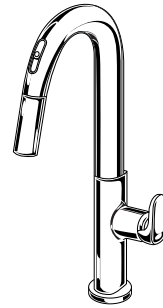


*American Standard*

# INSTALLATION INSTRUCTIONS

4931380  
4931385



Certified to comply with ANSI A112.18.1M

## BEALE™ ELECTRONIC PULL-DOWN KITCHEN FAUCET

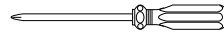
*Thank you for selecting American Standard...  
the benchmark of fine quality for over 100 years.*

**To ensure that your installation proceeds smoothly-please read these instructions carefully before you begin.**

### RECOMMENDED TOOLS



Flat Blade Screwdriver



Phillips Screwdriver



Adjustable Wrench

## 1 INSTALL FAUCET WITH OR WITHOUT DECK ESCUTCHEON

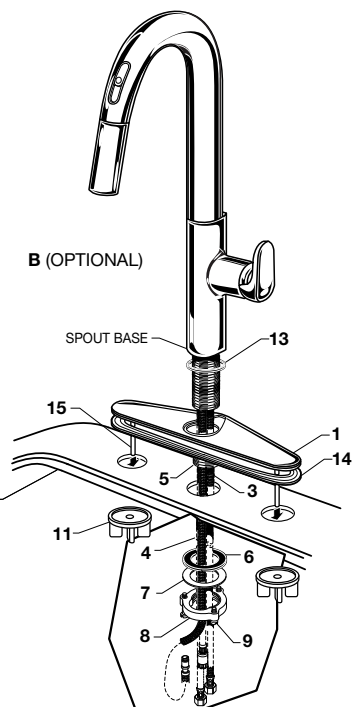
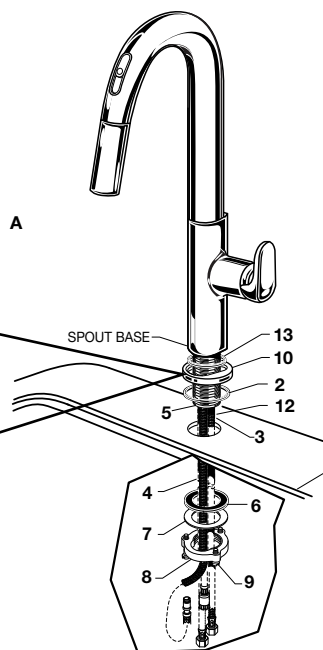
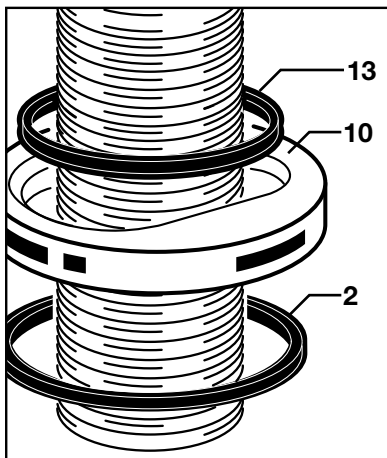
**CAUTION** Turn off water at main supply

### (A) Installation on 1-hole mounting surface: (please refer to template provided)

- Make certain the SEAL (2) is properly seated in bottom recess of MOUNTING RING (10) and SEAL (13) in top recess of MOUNTING RING (10). Place mounting ring over mounting hole at the deck. Insert CABLES (12), HOSES (3) and SHANK (4) through mounting ring and deck, seat SPOUT BASE onto sink or mounting surface. **Do not use putty.**
- From below: Insert CABLES (12) and HOSES (3) through RUBBER WASHER (6), BRASS WASHER (7), and threaded LOCKNUT (8).
- Assemble RUBBER WASHER (6), BRASS WASHER (7), and threaded LOCKNUT (8) onto SHANK (5) from underside of sink or mounting surface. Hand tighten LOCKNUT (8).
- Make sure faucet is aligned properly with handle on the right and logo facing directly forward.
- Use a screwdriver to tighten SCREWS (9) on LOCKNUT (8). Work your way around LOCKNUT (8), tightening the screws slightly each time until all are snug to ensure even pressure.

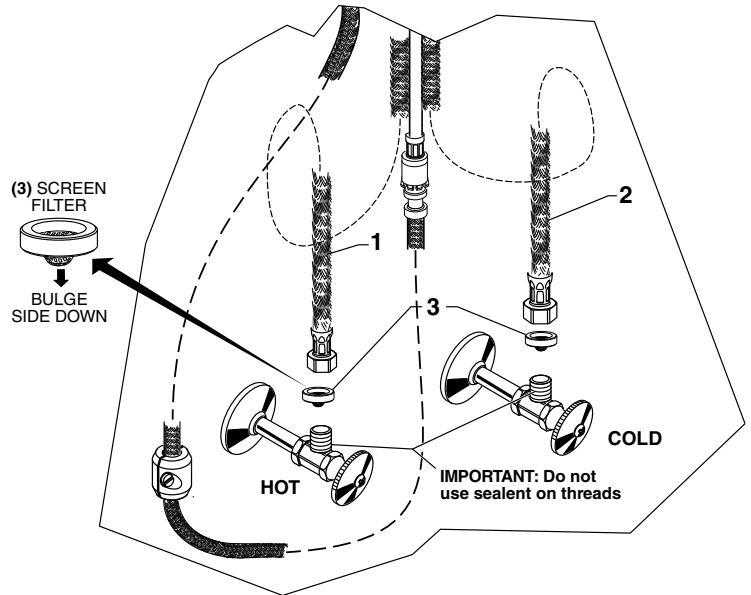
### (B) Optional: Installation on 3-hole mounting surface: Requires Deck Escutcheon - order separately

- Make certain the SEAL (13) is properly seated in top recess of DECK ESCUTCHEON (1) and FOAM SEAL (14) is properly seated in bottom recess of DECK ESCUTCHEON (1). **Do not use putty. (Please refer to the template provided)**
- Screw in two THREAD RODS (15) onto bottom of DECK ESCUTCHEON (1).
- Place deck escutcheon over mounting holes of the deck.
- Insert SUPPLY CABLES (12), HOSES (3), SPRAY HOSE (4) and SHANK (5) through hole of DECK ESCUTCHEON (1) and mounting surface.
- Follow mounting instructions above to secure faucet to mounting surface. Thread the MOUNTING NUTS (11) to secure DECK ESCUTCHEON.



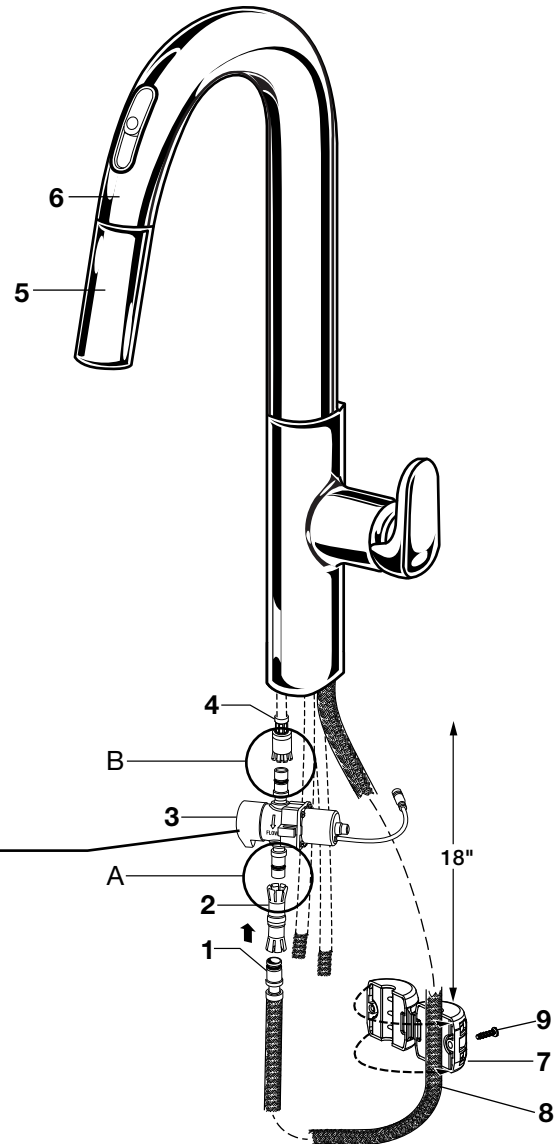
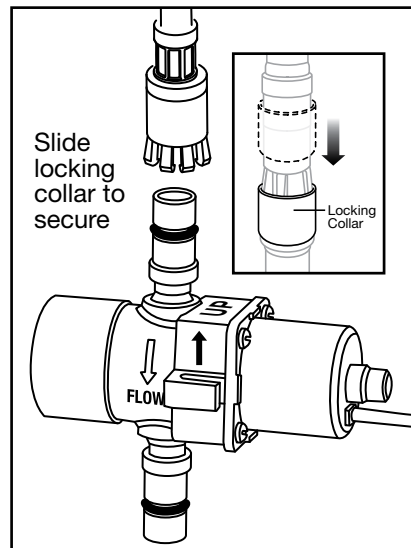
## 2 MAKE WATER SUPPLY CONNECTIONS

- Turn off hot and cold water supplies before beginning.
- Place each **SCREEN FILTER (3)** on each wall supply outlet. Be sure that **SCREEN FILTER (3)** is inserted in the correct direction. (See Illustration)
- Connect **FLEXIBLE SUPPLY HOSES (1, 2)** directly to water supplies. Connection on fitting supplies are 3/8" compression. Connect left supply hose (Red Stripe) to Hot wall supply. Connect right supply hose (Blue Stripe) to Cold wall supply. Use adjustable wrench to tighten connections. Do not over tighten.
- \* Faucet supplies are 35" long from faucet base.
- **Note: If additional supply length is required, installer must purchase additional parts separately.**
- **Important: If SUPPLY HOSES (1, 2) are too long, loop as illustrated to avoid kinking.**



## 3 CONNECT SPRAY HOSE AND SOLENOID ASSEMBLY, AND INSTALL WEIGHT

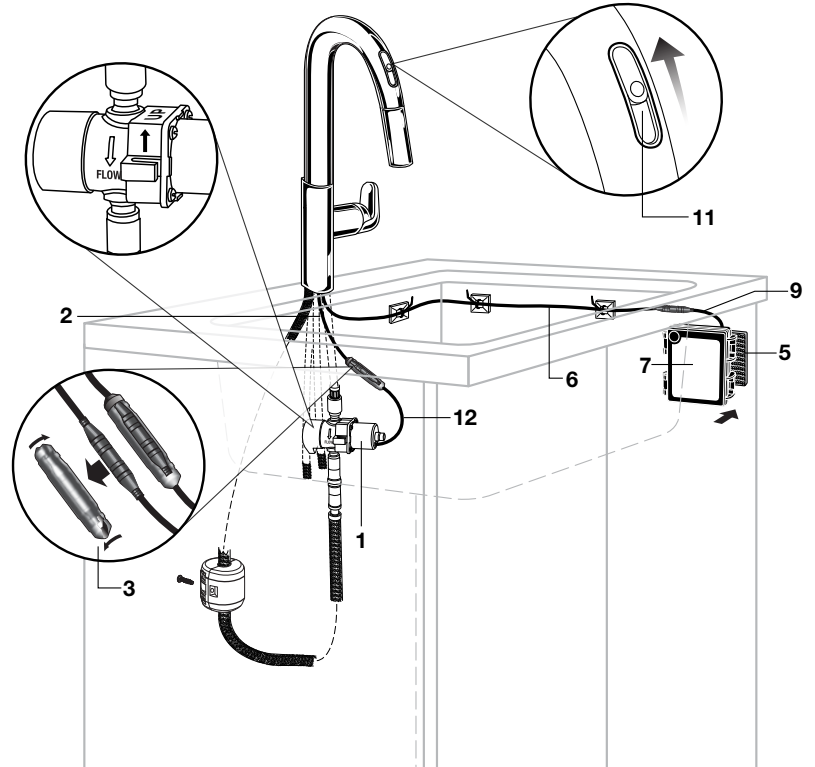
- Push the **SPRAY HOSE END (1)** into **FEMALE ADAPTER (2)** and slide down locking collar to secure connection.
- Orient solenoid valve with the orientation label facing up.
- Push **SOLENOID ASSEMBLY (3)** connection "B" into the **HOSE CONNECTOR (4)** as shown, and slide down locking collar towards **SOLENOID ASSEMBLY (3)** to secure connection.
- Push **SOLENOID ASSEMBLY (3)** connection "A" into other end of **FEMALE ADAPTER (2)** as shown, and slide locking collar towards **SOLENOID ASSEMBLY (3)** to secure connection.
- With **HAND SPRAY (5)** seated in **SPOUT (6)**, install **WEIGHT (7)** at labeled area onto **HOSE (8)**, secure with **SCREW (9)**.
- Important: Make sure you pull out hose and check to see that it moves freely and is not obstructed by supply hoses, solenoid valve or items in the bottom of the cabinet.



#### 4 ELECTRICAL CONNECTIONS - SENSOR TO SOLENOID

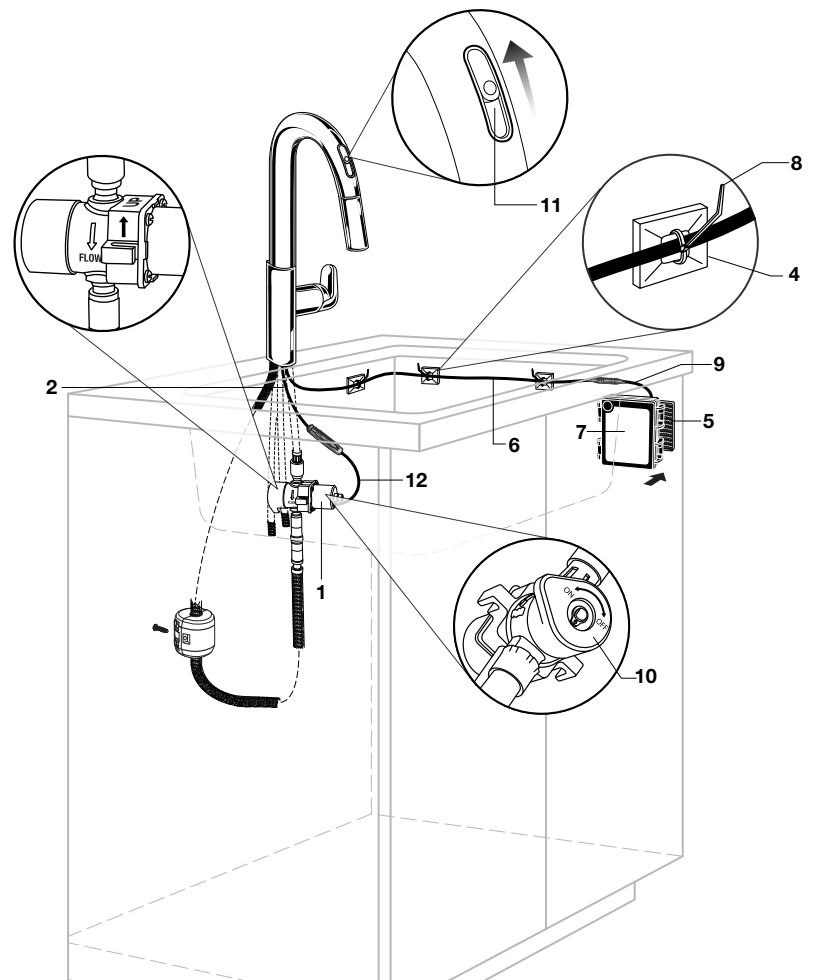
- Connect SOLENOID CONNECTOR (12) with the sensor connector from the faucet with the yellow tag stickers, secure this connection by installing inside the CONNECTORS HOUSING (3) as shown and lock by twisting the white end pieces.

**NOTE:** Use Qty. (4) AA Alkaline type batteries only.



#### 5 ELECTRICAL CONNECTIONS - BATTERY HOLDER

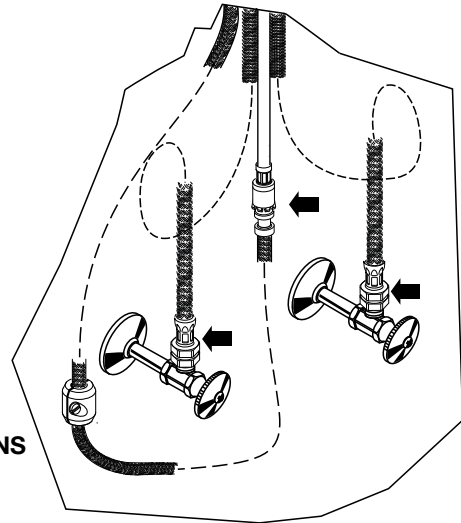
- Identify desired battery holder location. Battery holder should be located so batteries can be easily accessed, with in 6ft of the faucet hook and loop (black strip).
- Attach CABLE MOUNTS (4) along the inside of the kitchen cabinet walls positioning them accordingly as shown. Wipe clean surfaces before attaching CABLE MOUNTS (4).
- Attach 'HOOK TO LOOP' FASTENER (black strip) (5) to the back side of the BATTERY HOLDER (7) and attach 'HOOK TO LOOP' FASTENER (black strip) (5) on desired location inside the kitchen cabinet. Wipe mounting surface clean before attaching 'HOOK TO LOOP' FASTENER (black strip) (5).
- Secure longer SENSOR CABLE (6) to the CABLE MOUNTS (4) using the WIRE TIES (8) provided.
- Ensure that the BYPASS KNOB (10) on the SOLENOID ASSEMBLY (1) is in the "OFF" position.
- With the SLIDING DOOR (11) in the open position, connect the BATTERY HOLDER CABLE (9) to the other end of the long SENSOR CABLE (6), that is coming out of the faucet. The sensor will start to blink several times and then stop.



## 6 CHECK CONNECTIONS FOR LEAKS

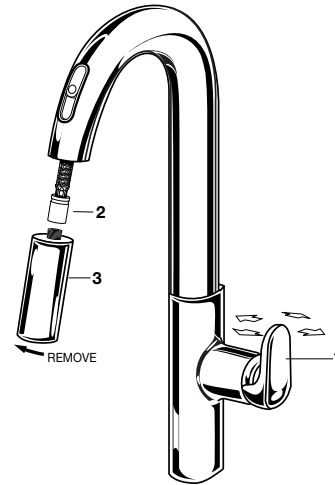
- Move HANDLE (1) into "off" position.
- Turn on water supplies and check connections for leaks. ➡
- Operate HANDLE (2) up and down, left and right to flush water lines thoroughly.
- Operate HAND SPRAY and check connections for leaks. ➡

CHECK CONNECTIONS FOR LEAKS ➡



## 7 TEST INSTALLED FAUCET

- Turn ON water at main supply.
- With HANDLE (1) in "off" position, unthread SPRAY (3) from HOSE (2).
- Operate handle back to front, in COLD and HOT positions, to flush water lines thoroughly.
- Replace SPRAY (3) onto HOSE (2).
- Please make sure that there is no cross threading.



## 7a FAUCET OPERATION – AUTOMATIC MODE, MANUAL MODE AND FEATURES

### Automatic Mode

- Make sure the SLIDING DOOR (1) and HANDLE (2) are in the open position.
- To turn on the water, momentarily place your hand within 3" of the SENSOR (3).
- To turn off the water, momentarily place your hand again within 3" of the SENSOR (3).

### Manual Mode

- Close the SLIDING DOOR (1) and use the HANDLE (2) to turn on and off the water.

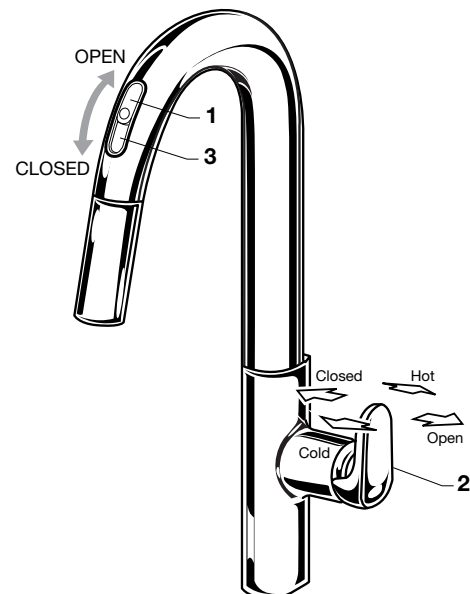
### FEATURES

#### Safety Timer

- The faucet will automatically turn off the water after 5 minutes of continuous use. Momentarily place your hand in front of the sensor to turn on the water.

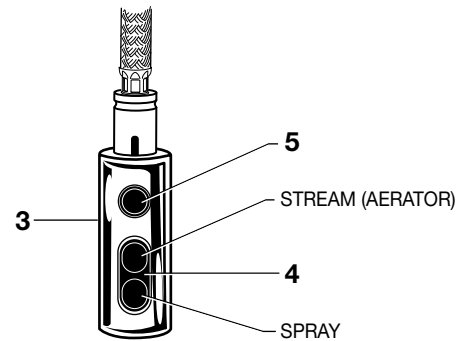
#### Low Battery Indication

- The sensor will start to blink constantly every second. This is the indication that the batteries are low in power. Replace the batteries with Qty. (4) AA Alkaline type batteries.
- Battery lifetime is approximately 1 year under normal use.



## 7b SPRAY OPERATION

- With FAUCET on, press TOGGLE BUTTON (4) on SPRAY (3) to switch from stream to spray.
- Press and hold PAUSE BUTTON (5) to temporarily stop flow from SPRAY (3). Release PAUSE BUTTON (5) to resume flow from SPRAY (3).



## 8 SERVICE

### Battery needs replacement:

- Sensor will start to blink continuously every second. This is the indication that the batteries are low in power.
- Replace batteries in battery holder with Qty (4) AA alkaline type batteries.
- Batteries last approximately one year.
- Always change all 4 batteries. Failure to replacing all 4 batteries at the same time may cause faucet electronics to not work properly.

### Reduced or distorted flow:

Debris or dirt accumulating at inlet or AERATOR MAY CAUSE REDUCED OR DISTORTED FLOW.

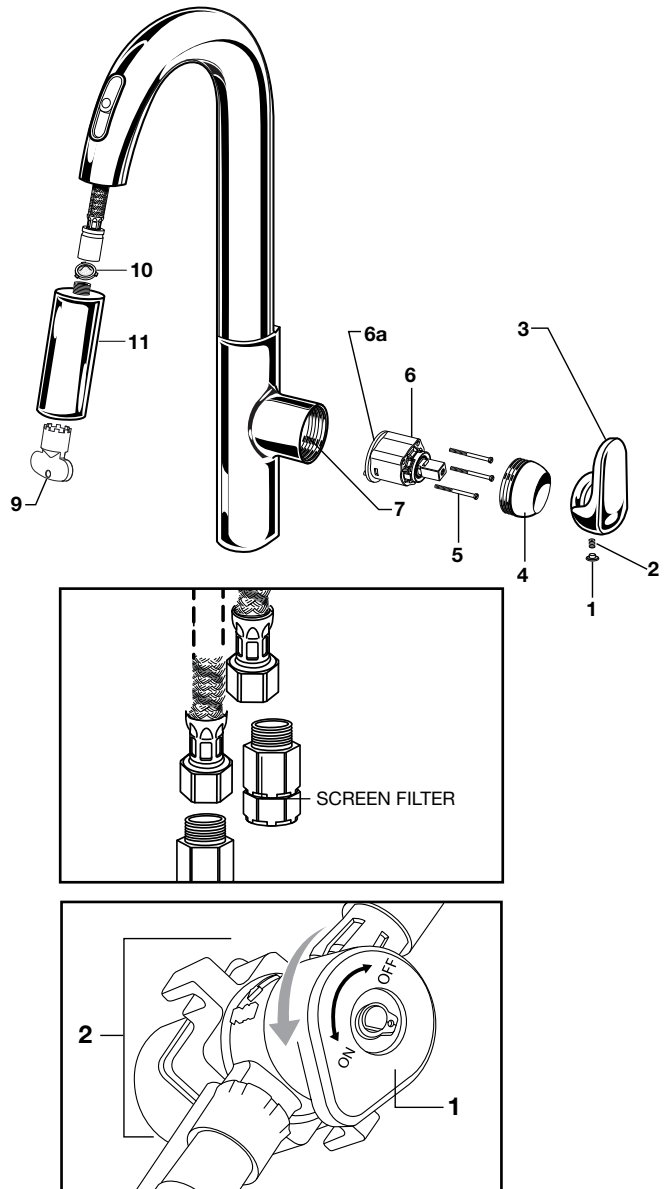
- A) Clean filter screen at inlet hoses.
- B) Turn hot and cold water supply off. Open valve in mixed position for two seconds to relief pressure close valve.
- C) Disconnect inlet hoses at stop valve and clean screen filter. If necessary remove screen filter and rinse at another water source.

### Aerator Clean Out

- AERATOR may accumulate dirt causing distorted and reduced water flow. Remove AERATOR by using the AERATOR KEY (9) and rinse to clear any debris.
- Clean out the SCREEN (10) by removing SPRAY HEAD (11).

### Power failure (manual bypass):

- In the event of a power failure, turn the BYPASS KNOB (1) on the SOLENOID ASSEMBLY (2) to the "ON" position. The faucet will be in MANUAL MODE (see section 5) and the HANDLE (2) can be used to turn on and off the water.



## 9 CARE:

**DO: CLEAN WITH CLEAR WATER. DRY WITH A SOFT COTTON FLANNEL CLOTH.**

**DO NOT: DO NOT CLEAN THE PRODUCT WITH SOAPS, ACID, POLISH, ABRASIVES, HARSH CLEANERS, OR A CLOTH WITH A COARSE SURFACE.**