

INSTALLATION INSTRUCTIONS



Ashbee™ 3/4" (19 mm) & 1/2" (13 mm) Thermostatic Mixing Valve Trim Kit

Cross Handle

Model D35101514

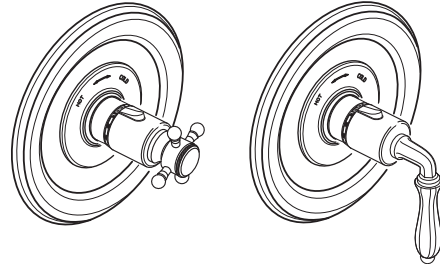
Lever Handle

Model D35101510

To be used with

D35000510.191 - 1/2" Thermostatic Mixing Valves

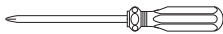
D35000530.191 - 3/4" Thermostatic Mixing Valves



Thank you for selecting DXV. To ensure that your installation proceeds smoothly, please read these instructions carefully before you begin.

RECOMMENDED TOOLS AND MATERIALS

Most of the procedures require the use of common tools and materials, which are available from hardware and plumbing supply stores. It is essential that the tools and materials be on hand before work is begun.



Phillips Screwdriver



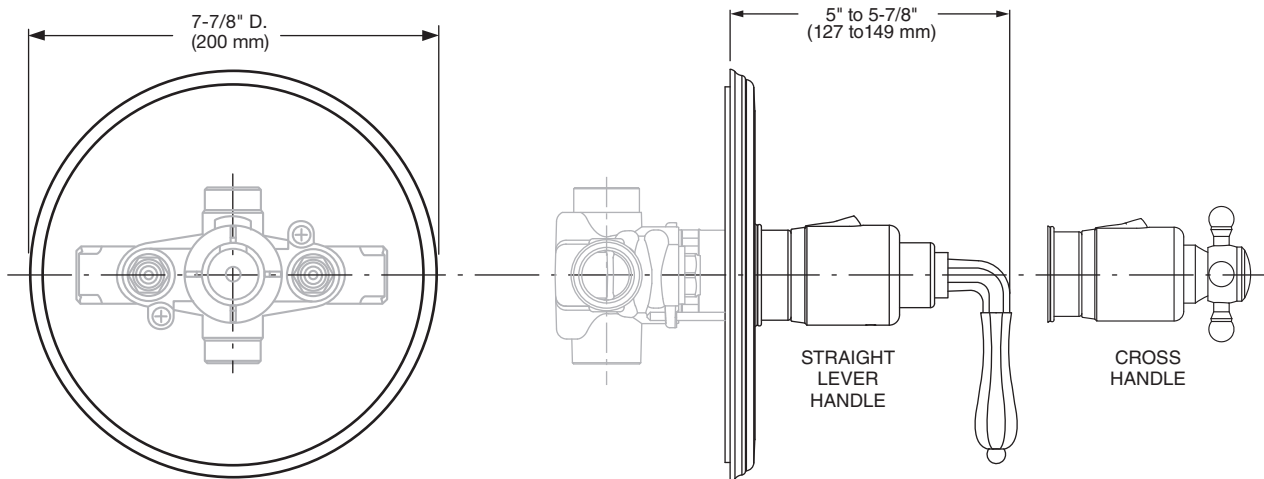
Flat Blade Screwdriver



Hex Wrench (Supplied)

ROUGHING-IN DIMENSIONS:

- For reference



In the United States:

DXV
One Centennial Avenue
Piscataway, New Jersey 08855
Attention: Director of Customer Care

For residents of the United States, warranty information may also be obtained by calling the following toll free number: (800) 227-2734
www.DXV.com

In Canada:

DXV
5900 Avebury Road
Mississauga, Ontario
L5R 3M3
Canada

Toll Free: 1-800-387-0369
Local: 905-306-1093
Fax: 1-800-395-1498
www.DXV.ca

In Mexico:

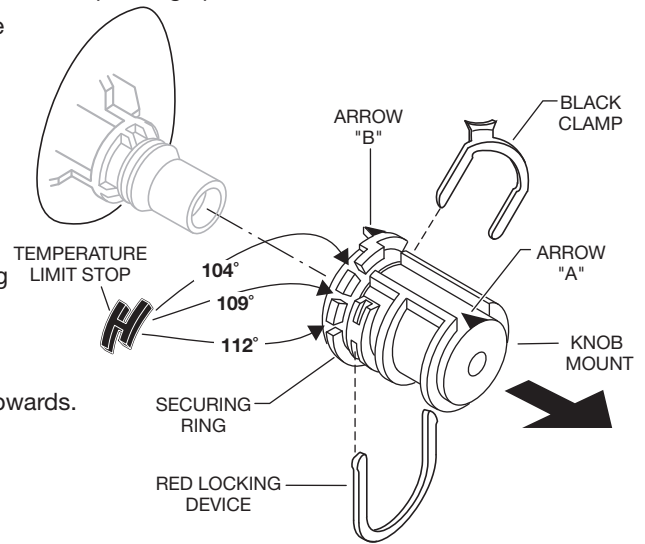
DXV
Via Morelos 330
Col. Santa Clara Coatlilla
Ecatepec, Estado de México 55540

Toll Free: 01-800-8391200
www.DXV.mx

SAVE FOR FUTURE USE

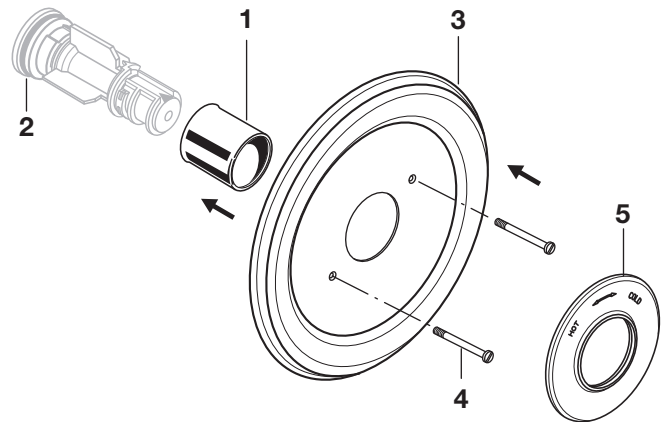
1 TEMPERATURE CALIBRATION

- Unscrew PLASTER GUARD SCREWS and remove PLASTER GUARD.
- Check that arrow marking "B" points vertically upwards. If not, push the BLACK CLAMP on the SECURING RING to the right, pull off KNOB MOUNT and reinstall KNOB MOUNT with arrow "B" pointing upwards.
- The maximum mixed water temperature is set at 109° F (43° C) at the factory. This setting can be changed if desired.
- Remove the TEMPERATURE LIMIT STOP (H shaped Black Plastic part). Re-install it at the desired notch as indicated in the diagram to limit the maximum mixed water temperature to 104° F or 112° F (40° C or 44° C).
- For 100° F adjustment, turn the water supply on. Turn KNOB MOUNT until the spout temperature is 100° F. Check that arrow marking "A" on the KNOB MOUNT still points upward after adjusting the thermostat to 100°F. If not, pull out the RED LOCKING DEVICE. Remove KNOB MOUNT by pulling it towards you while standing directly in front of the valve.
- Reinstall the KNOB MOUNT so that the arrow marking "A" points upwards.



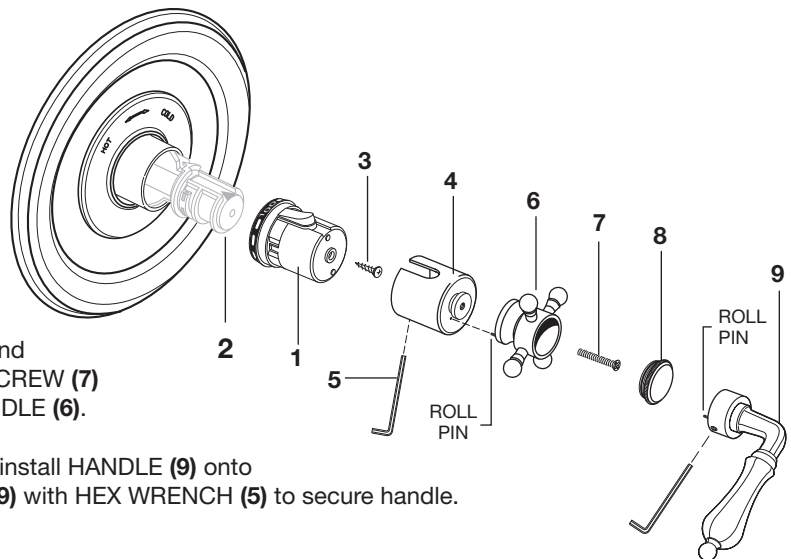
2 TRIM INSTALLATION

- Push CAP (1) over the O-RING SEAL (2).
 - Push ESCUTCHEON (3) over CAP (1) and secure with SCREWS (4).
 - Push the COVER (5) as shown (hot and cold to the TOP) over the CAP (1) and align prongs on COVER (5) with screw holes in ESCUTCHEON (3).
- Important!** Make sure COVER (5) snaps over the SCREWS (4).



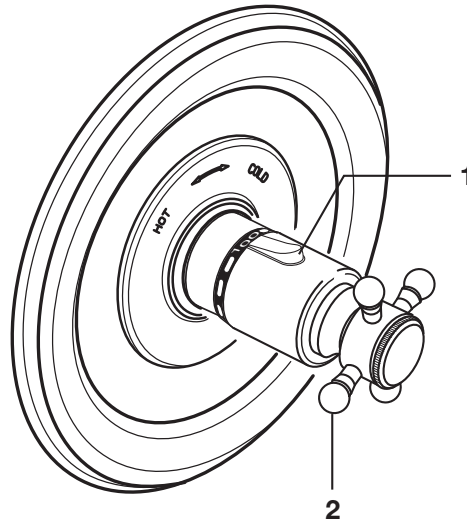
3 HANDLE INSTALLATION

- Push TEMPERATURE-CONTROL KNOB (1) onto KNOB MOUNT (2).
- Attach TEMPERATURE-CONTROL KNOB (1) to valve with ATTACHMENT SCREW (3). Push HANDLE BASE (4) onto TEMPERATURE-CONTROL KNOB (1). Tighten set screw with HEX WRENCH (5) to secure HANDLE BASE (4).
- **CROSS HANDLE:** Align HANDLE (6) with roll pin and install onto HANDLE BASE (4). Tighten HANDLE SCREW (7) to secure handle. Insert HANDLE CAP (8) into HANDLE (6).
- **LEVER HANDLE:** Align roll pin in HANDLE (9) and install HANDLE (9) onto HANDLE BASE (4). Tighten set screw in HANDLE (9) with HEX WRENCH (5) to secure handle.



4 OPERATING THE VALVE

- If a temperature over 100° F is desired, push the STOP BUTTON (1) down and turn the TEMPERATURE KNOB (2).
- This will increase the mixed water temperature up to the maximum limit previously selected in step one.



DXV

Ashbee™ 3/4" (19mm) & 1/2" (13mm) Thermostatic Mixing Valve Trim Kit

MODEL NUMBERS

Cross Handle	D35101514
Lever Handle	D35101510

Replace the "YYY" with appropriate finish code

POLISHED CHROME	100
BRUSHED NICKEL	144
PLATINUM NICKEL	150

