

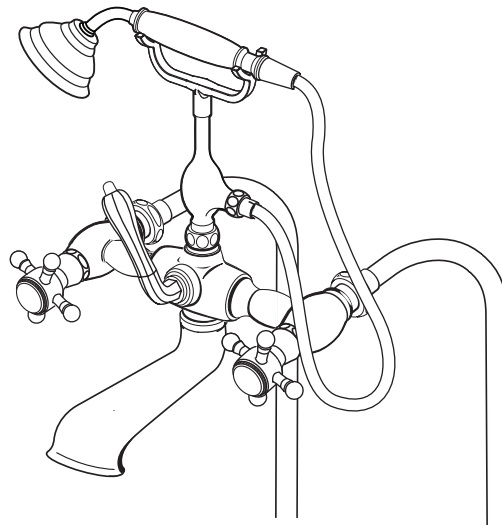
INSTALLATION INSTRUCTIONS



Traditional Floor Mount Tub Filler

**Cross Handle
Model D3510195C**
**Lever Handle
Model D3510196C**

Thank you for selecting DXV. To ensure that your installation proceeds smoothly, please read these instructions carefully before you begin.



RECOMMENDED TOOLS AND MATERIALS

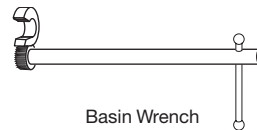
Most of the procedures require the use of common tools and materials, which are available from hardware and plumbing supply stores. It is essential that the tools and materials be on hand before work is begun.



Channel Locks



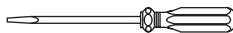
Adjustable Wrench



Basin Wrench



Plumbers' Putty or Caulking



Flat Blade Screwdriver



Phillips Screwdriver

In the United States:

DXV
One Centennial Avenue
Piscataway, New Jersey 08855
Attention: Director of Customer Care

For residents of the United States, warranty information may also be obtained by calling the following toll free number: (800) 227-2734
www.DXV.com

In Canada:

DXV
5900 Avebury Road
Mississauga, Ontario
L5R 3M3
Canada

Toll Free: 1-800-387-0369
Local: 905-306-1093
Fax: 1-800-395-1498
www.DXV.ca

In Mexico:

DXV
Via Morelos 330
Col. Santa Clara Coatitla
Ecatepec, Estado de México 55540

Toll Free: 01-800-8391200
www.DXV.mx

S
A
V
E

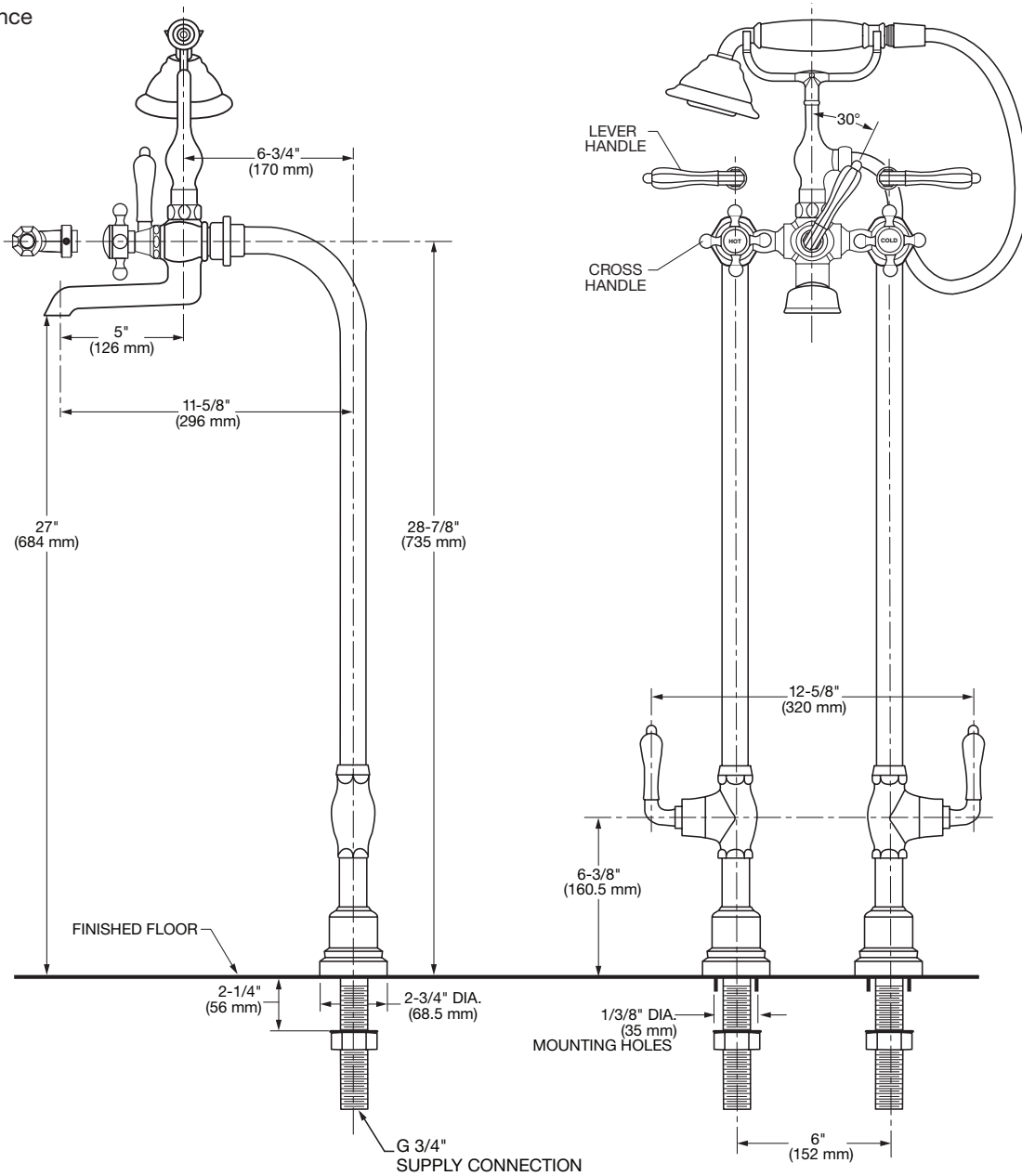
F
O
R

F
U
T
U
R
E

U
S
E

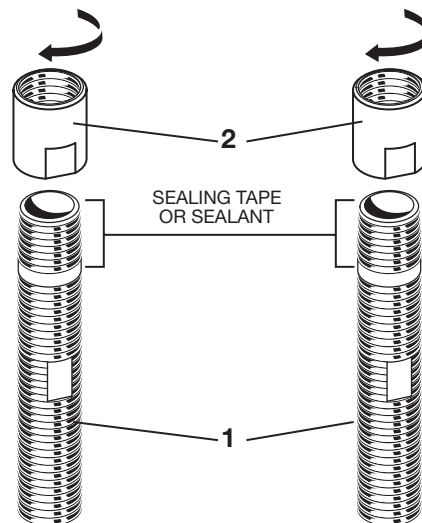
ROUGHING-IN DIMENSIONS:

- For reference



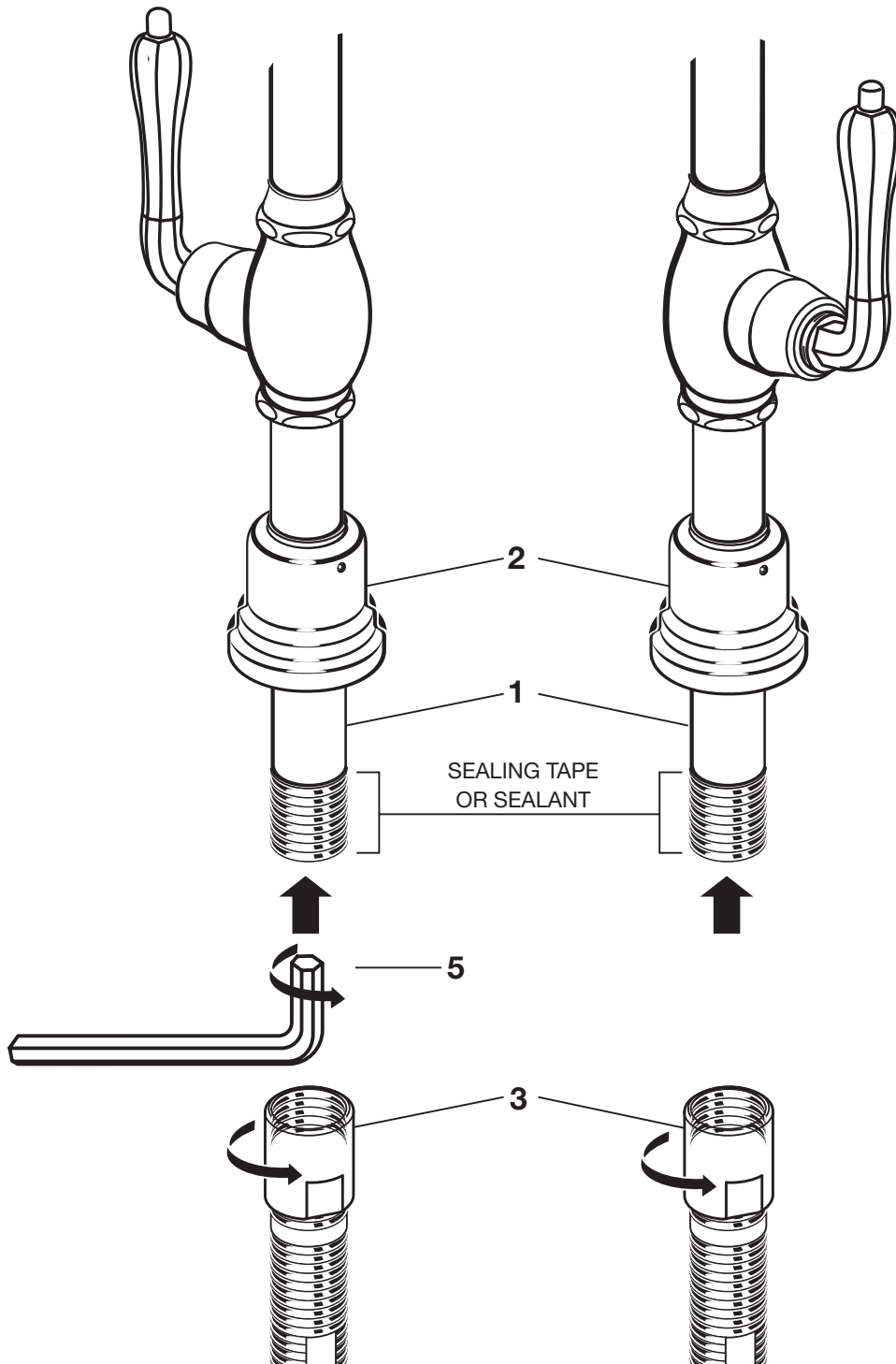
1 ASSEMBLE MOUNTING STUDS

- Apply sealing tape or sealant to threads of MOUNTING STUDS (1) as shown in illustration.
- Thread STUD ADAPTERS (2) onto MOUNTING STUDS (1). Tighten fully with wrenches.



2 ASSEMBLE FLOOR ESCUTCHEONS AND RISER PIPING

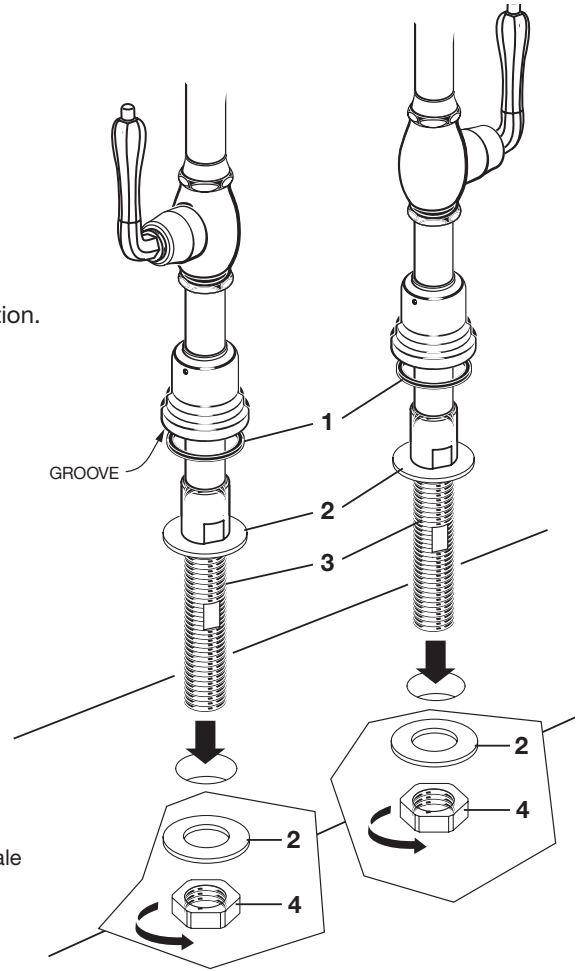
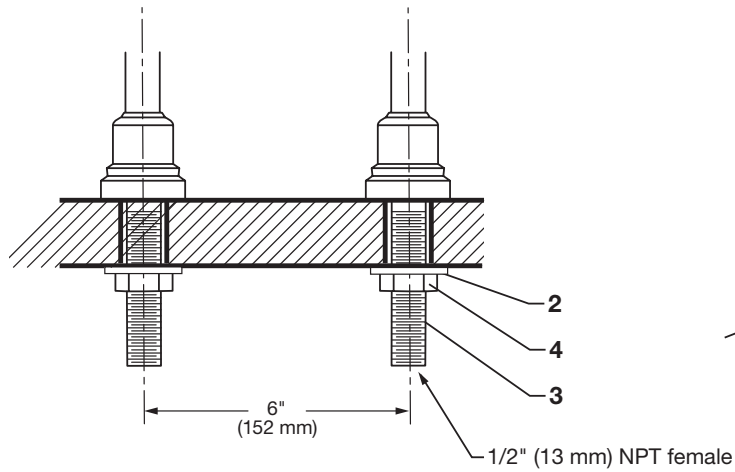
- Apply sealing tape or sealant to threads of RISER PIPES (1).
- Slide FLOOR ESCUTCHEONS (2) onto RISER PIPES (1).
- With wrenches connect the STUD ADAPTERS (3) to RISER PIPES (1).
- Tighten MOUNTING STUDS (4) to RISER PIPES (1) with HEX WRENCH (5) supplied.



3 INSTALL RISER SUPPLY PIPING

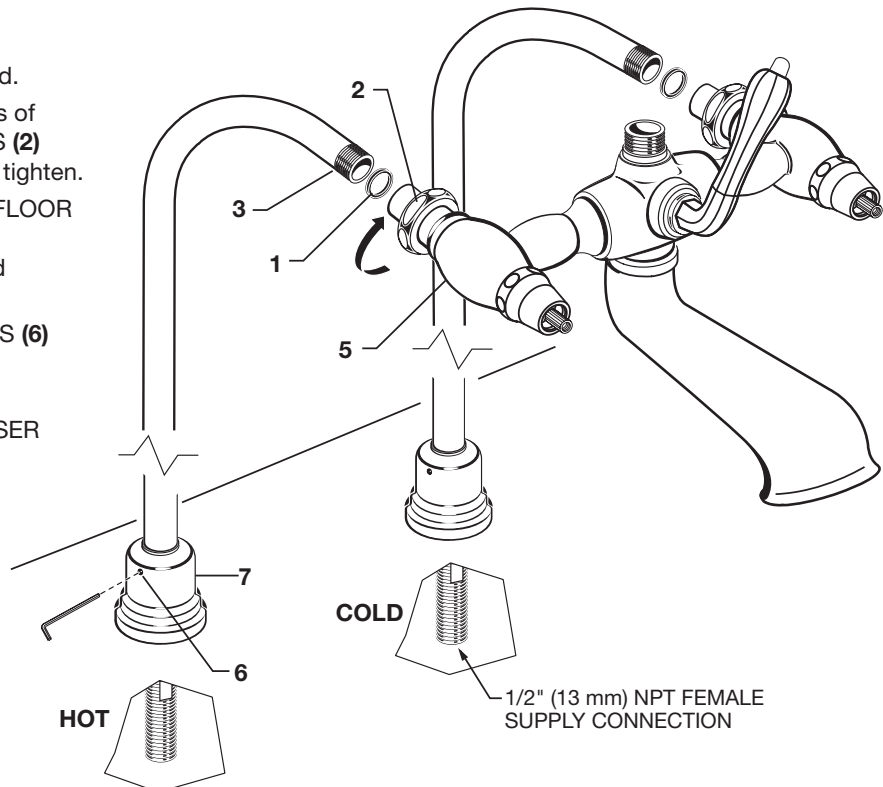
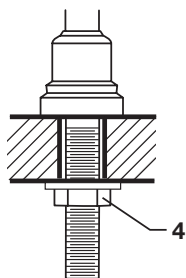
- Install ESCUTCHEON SEALS (1) into groove in escutcheon base.
- Slide BRASS WASHERS (2) onto RISER PIPES (3).
- Install RISER SUPPLY PIPES (3) into mounting holes in floor. From underside of floor install BRASS WASHERS (2) and LOCK NUTS (4) onto RISER SUPPLY PIPES (3). Do not tighten LOCK NUTS (4) fully.

NOTE: RISER SUPPLY PIPES (3) are 1/2" (13 mm) NPT female connection.



4 INSTALL BATH FILLER

- Install two SEAL WASHERS (1) into COUPLINGS (2) if not already installed.
- Align FLOOR SUPPLIES (3) with inlets of COUPLINGS (2). Thread COUPLINGS (2) to FLOOR SUPPLIES (3). Do not fully tighten.
- When alignment of BATH FILLER and FLOOR SUPPLIES are complete, fully tighten MOUNTING NUTS (4) below floor and COUPLINGS (2) on BATH FILLER (5).
- Tighten ESCUTCHEON SET SCREWS (6) with Hex Wrench supplied to secure ESCUTCHEON (7).
- Connect Hot and Cold supplies to RISER SUPPLY PIPES (3). Connections are 1/2" (13 mm) NPT female.



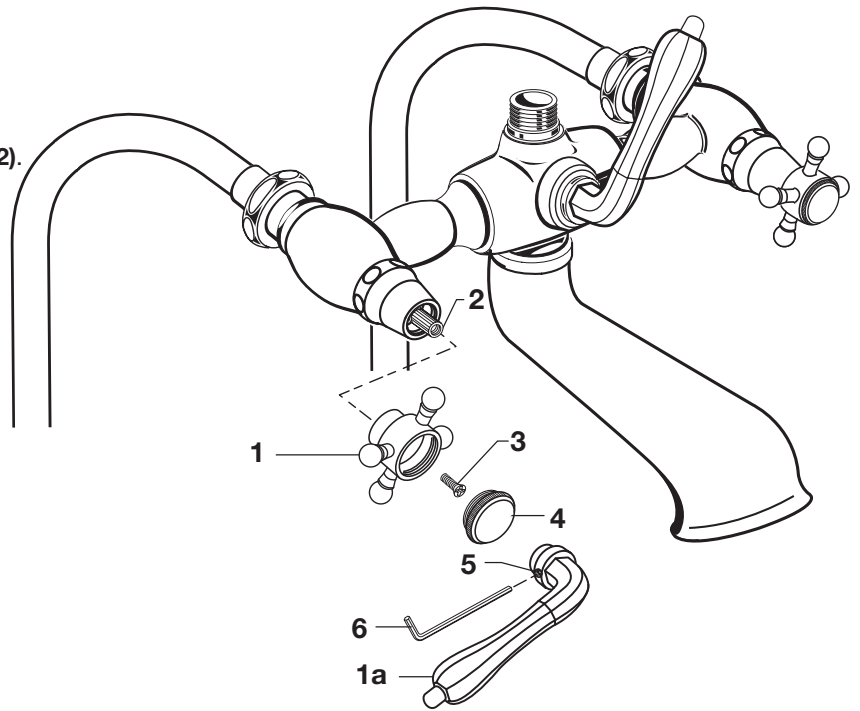
5 INSTALL HANDLES IF NOT INSTALLED

CROSS HANDLE

- Turn VALVE to OFF position.
- Push CROSS HANDLE (1) onto VALVE STEM (2). Check alignment if not satisfactory align.
- Insert HANDLE SCREW (3) and tighten.
- Install INDEX BUTTON (4).

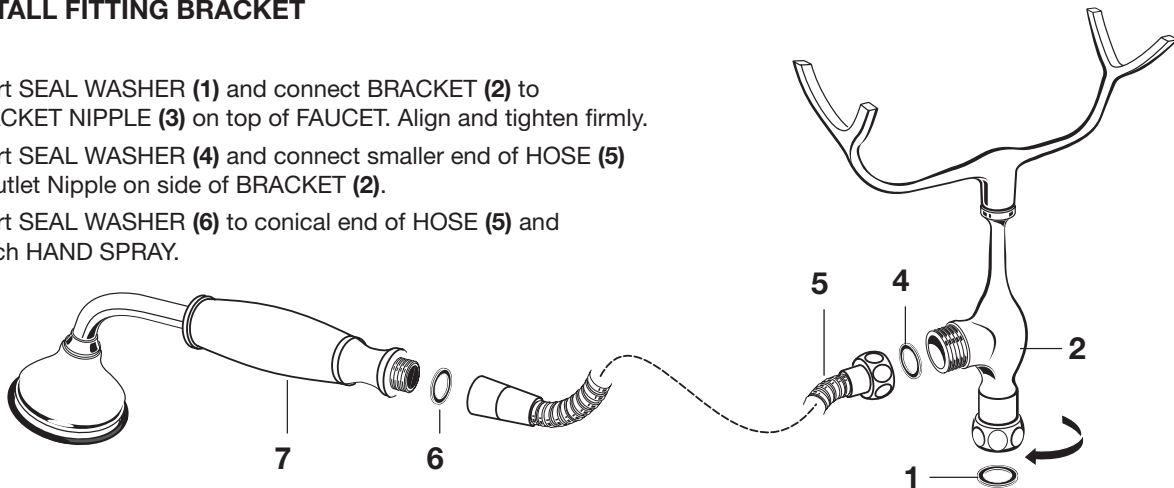
LEVER HANDLE

- Push LEVER HANDLE (1a) onto VALVE STEM (2). Check alignment if not satisfactory align.
- Tighten SET SCREW (5) with HEX WRENCH (6) supplied.



6 INSTALL FITTING BRACKET

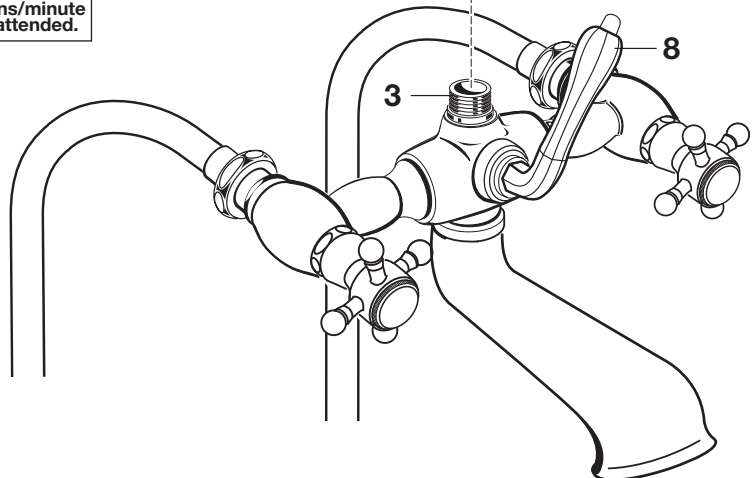
- Insert SEAL WASHER (1) and connect BRACKET (2) to BRACKET NIPPLE (3) on top of FAUCET. Align and tighten firmly.
- Insert SEAL WASHER (4) and connect smaller end of HOSE (5) to outlet Nipple on side of BRACKET (2).
- Insert SEAL WASHER (6) to conical end of HOSE (5) and attach HAND SHOWER (7).



6a TEST INSTALLED FAUCET

CAUTION The flow rate of this Tub Filler exceeds 20 gallons/minute at higher water pressure. Do not fill bathtub unattended.

- Turn VALVES to “off” position.
- With handles in “off” position, turn on water supplies and check all connections for leaks.
- Operate both handles and flush water lines thoroughly.
- Lift HAND SHOWER (7) from BRACKET (2) and direct spray into tub. Turn DIVERTER LEVER (8) to SHOWER and check all connections for leaks. Replace HAND SHOWER (7) to BRACKET (2).

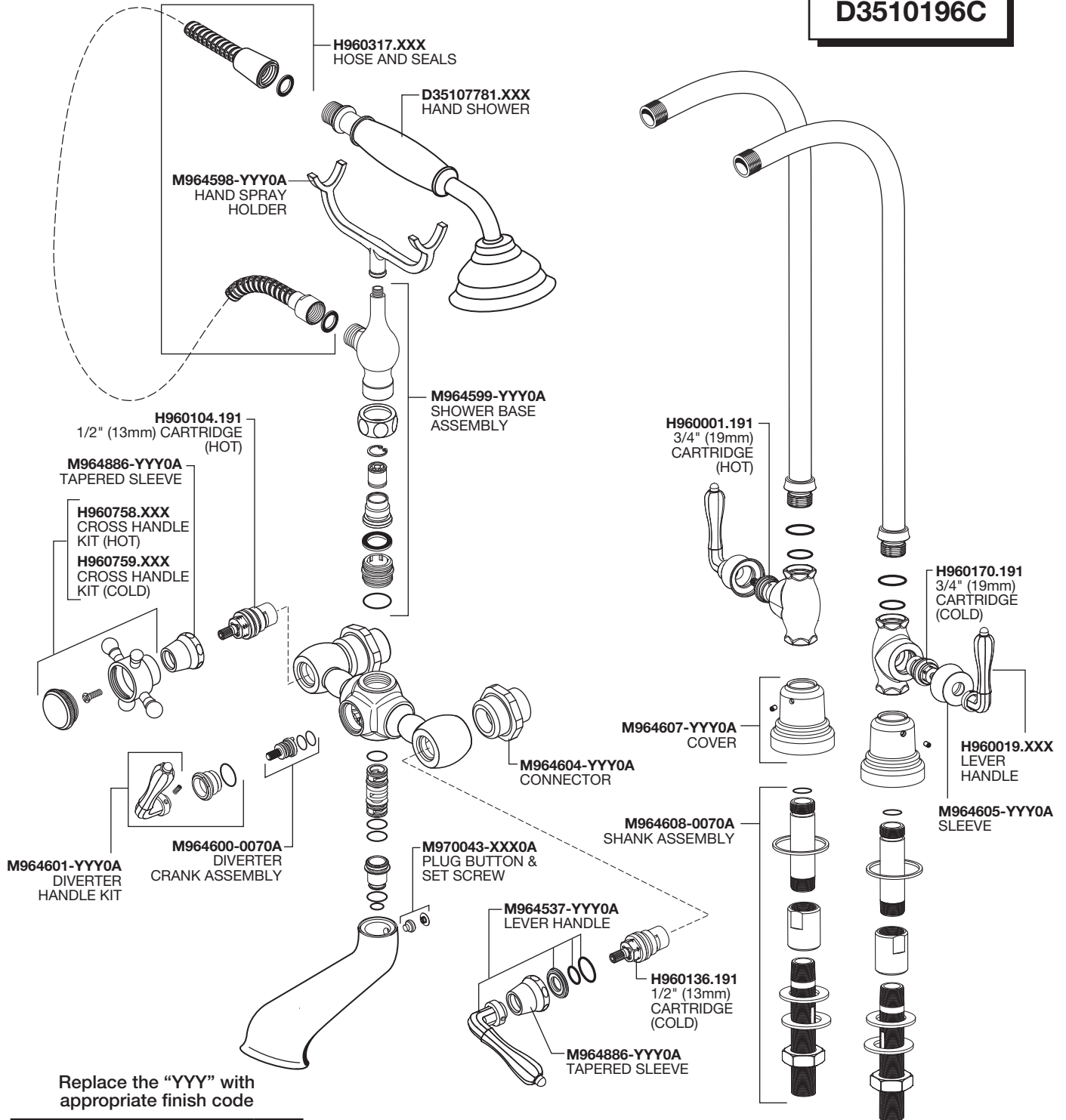


DXV

Traditional Four Mount Tub Filler

MODEL NUMBERS

Cross Handle D3510195C
Lever Handle D3510196C



Replace the "YYY" with appropriate finish code

POLISHED CHROME	100
BRUSHED NICKEL	144
PLATINUM NICKEL	150