

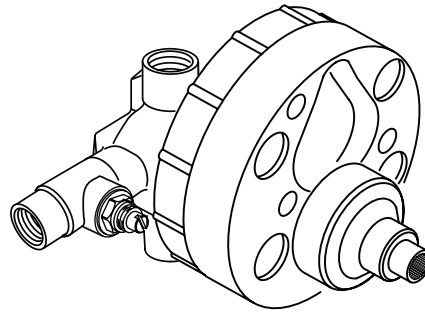
INSTALLATION INSTRUCTIONS



Rough Valve for Pressure Balanced Bath/Shower with Check Stops

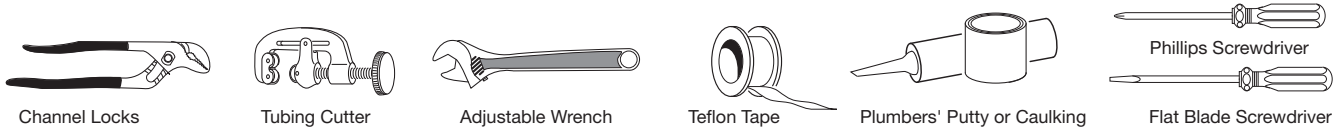
Model D35000600

Thank you for selecting DXV. To ensure that your installation proceeds smoothly, please read these instructions carefully before you begin.



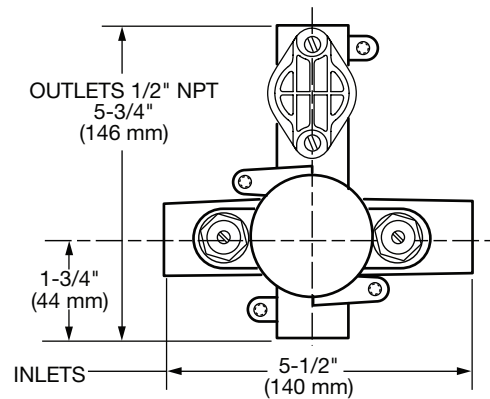
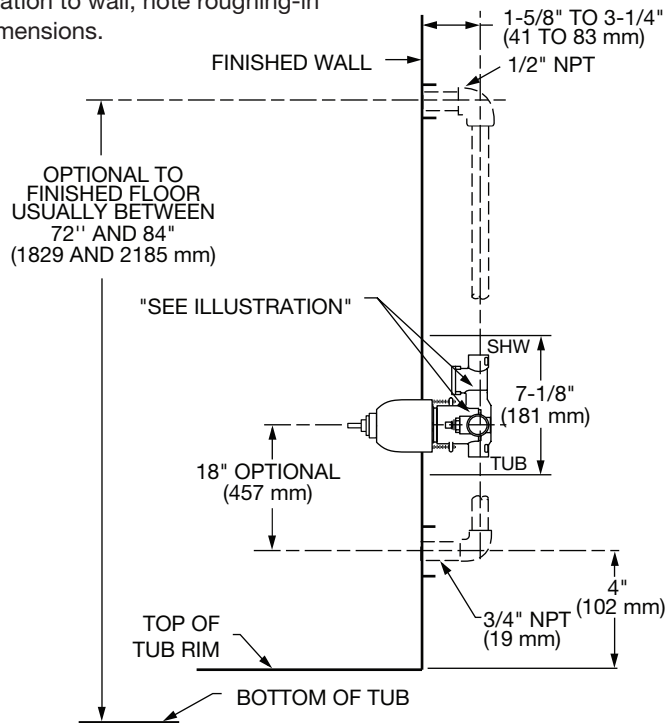
RECOMMENDED TOOLS AND MATERIALS

Most of the procedures require the use of common tools and materials, which are available from hardware and plumbing supply stores. It is essential that the tools and materials be on hand before work has begun.



ROUGHING-IN DIMENSIONS:

- To assure proper positioning in relation to wall, note roughing-in dimensions.



THREADED INLETS (STOPS)

In the United States:

DXV
One Centennial Avenue
Piscataway, New Jersey 08855
Attention: Director of Customer Care

For residents of the United States, warranty information may also be obtained by calling the following toll free number: (800) 227-2734
www.DXV.com

In Canada:

DXV
5900 Avebury Road
Mississauga, Ontario
L5R 3M3
Canada

Toll Free: 1-800-387-0369
Local: 905-306-1093
Fax: 1-800-395-1498
www.DXV.ca

In Mexico:

DXV
Via Morelos 330
Col. Santa Clara Coatlita
Ecatepec, Estado de México 55540

Toll Free: 01-800-8391200
www.DXV.mx

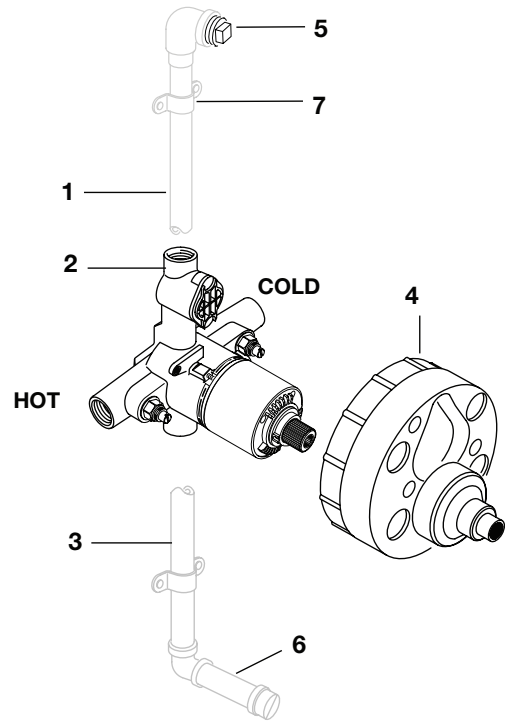
SAVE FOR FUTURE USE

1 ROUGHING-IN

CAUTION Turn off hot and cold water supplies before beginning.

NOTE: When soldering, remove **PLASTER GUARD, CARTRIDGES** and **CHECK STOPS (IF PRESENT)**. When finished soldering, flush valve body, replace cartridges, check stops (if present) and plaster guard to continue installation. Use thread sealant or Teflon tape on threaded connections.

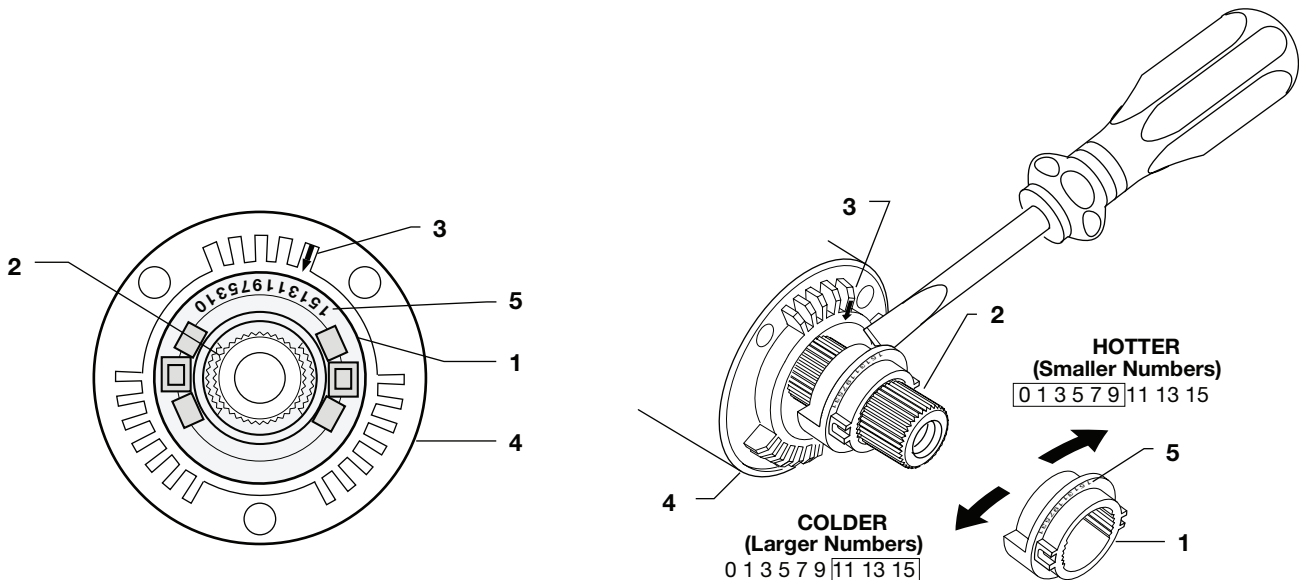
- See Roughing-in diagram before starting.
- Connections are:
 - 1/2" (13 mm) female NPT for threaded inlets Connect **RISER PIPE (1)** to **MANIFOLD (2)** top outlet marked "SHR".
 - Connect **TUB FILLER PIPE (3)** at bottom outlet marked "TUB".
 - For proper positioning the finished wall must be within side wall of **PLASTER GUARD (4)**.
 - If the valve is installed on a fiberglass or other thin wall application, the **PLASTER GUARD (4)** can be used as a support.
 - Cut a 4" dia. hole in the shower stall.
 - Drill two additional 1" (25 mm) holes to allow access to the stops.
 - Remove **PLASTER GUARD (4)**, rotate 180° so that indicated screw holes fit **MANIFOLD (2)**.
- Connect hot and cold water supplies.
- Cap off shower pipe **(5)** and tub filler pipe **(6)**.
- For support, use pipe **BRACES (7)** secured to wooden braces.
- With valve turned off, turn on water supplies. Check for leaks.



2 ADJUST HOT LIMIT STOP

By restricting **HANDLE** rotation and limiting the amount of hot water allowed to mix with the cold, the **HOT LIMIT SAFETY STOP (1)** reduces risk of accidental scalding. To set the maximum hot water temperature of your faucet, all you need to do is adjust the setting on the **HOT LIMIT SAFETY STOP (1)**.

- Turn **CARTRIDGE STEM (2)** to the OFF position (coldest setting) before making adjustment to **HOT LIMIT SAFETY STOP (1)**. Use a flat blade screwdriver to pry free the **HOT LIMIT SAFETY STOP (1)**. Pull forward and rotate counterclockwise one number to limit hot water temperature. Use **ARROW (3)** on **CARTRIDGE (4)** and **NUMBERS (5)** on **HOT LIMIT SAFETY STOP (1)** for indication.



3 TO GAIN ACCESS TO VALVE FOR SERVICING

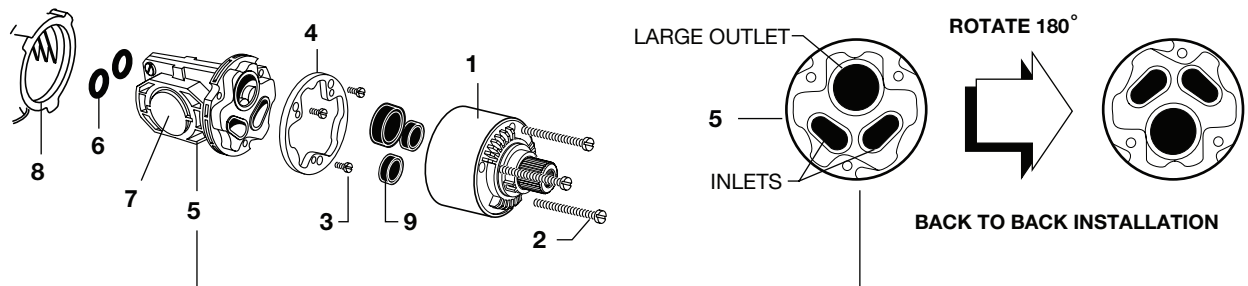
Shut off water supply by either closing off main water supply, or closing off the hot and cold CHECK STOPS on valve, if present.

VALVE LEAKS WHEN SHUT OFF

- Remove CARTRIDGE (1) by removing CARTRIDGE SCREWS (2). Remove three SCREWS (3) from FIXATION RING (4) and pull out PRESSURE BALANCING UNIT (5).
- Clean SEALS (9) on base of CARTRIDGE (1). Check base of PRESSURE BALANCING UNIT (5) and clean O-RINGS (6). Remove CAPS (7) and check O-RINGS on inside of CAPS (7). Clean inside sealing surfaces of VALVE BODY (8).
- Re-assemble PRESSURE BALANCING UNIT (5) and CARTRIDGE (1). Tighten all screws. Turn on water supply.

UNABLE TO MAINTAIN CONSTANT TEMPERATURE

- Remove PRESSURE BALANCE UNIT (5). Remove CAPS (7) and clean valve thoroughly.
- Examine balancing unit and check condition of O-ring on end of piston. Piston should move back and forth. Order Repair Part M952100-0070 if balancing unit is defective.
- Replace CAPS (7) and install PRESSURE BALANCE UNIT (5). Make sure inlets line up with two holes in bottom of casting. Top flange should butt-up against top of casting.



BACK TO BACK INSTALLATION

- Remove PRESSURE BALANCE UNIT (5). Rotate PRESSURE BALANCE UNIT (5) 180° so that the inlets face up and the large outlet port faces down.
- Push PRESSURE BALANCE UNIT (5) in casting make sure inlets line up with holes in bottom of casting. Top flange should butt up against top of casting.
- Reassemble FIXATION RING (4) and CARTRIDGE (1).



Rough Valve for Pressure Balanced Bath/Shower with Check Stops

MODEL NUMBER

D35000600

