

INSTALLATION INSTRUCTIONS



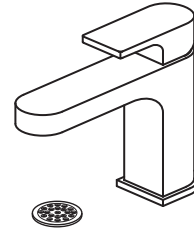
Equility™ (Formerly LYNDON®) Single Lever Faucet with Grid Drain

Vessel
Model D35109151
Monoblock
Model D35109152

D35109151



D35109152



Thank you for selecting DXV. To ensure that your installation proceeds smoothly, please read these instructions carefully before you begin.

RECOMMENDED TOOLS AND MATERIALS

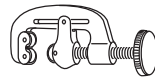
Most of the procedures require the use of common tools and materials, which are available from hardware and plumbing supply stores. It is essential that the tools and materials be on hand before work is begun.



Adjustable Wrench



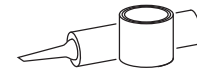
Channel Locks



Tubing Cutter



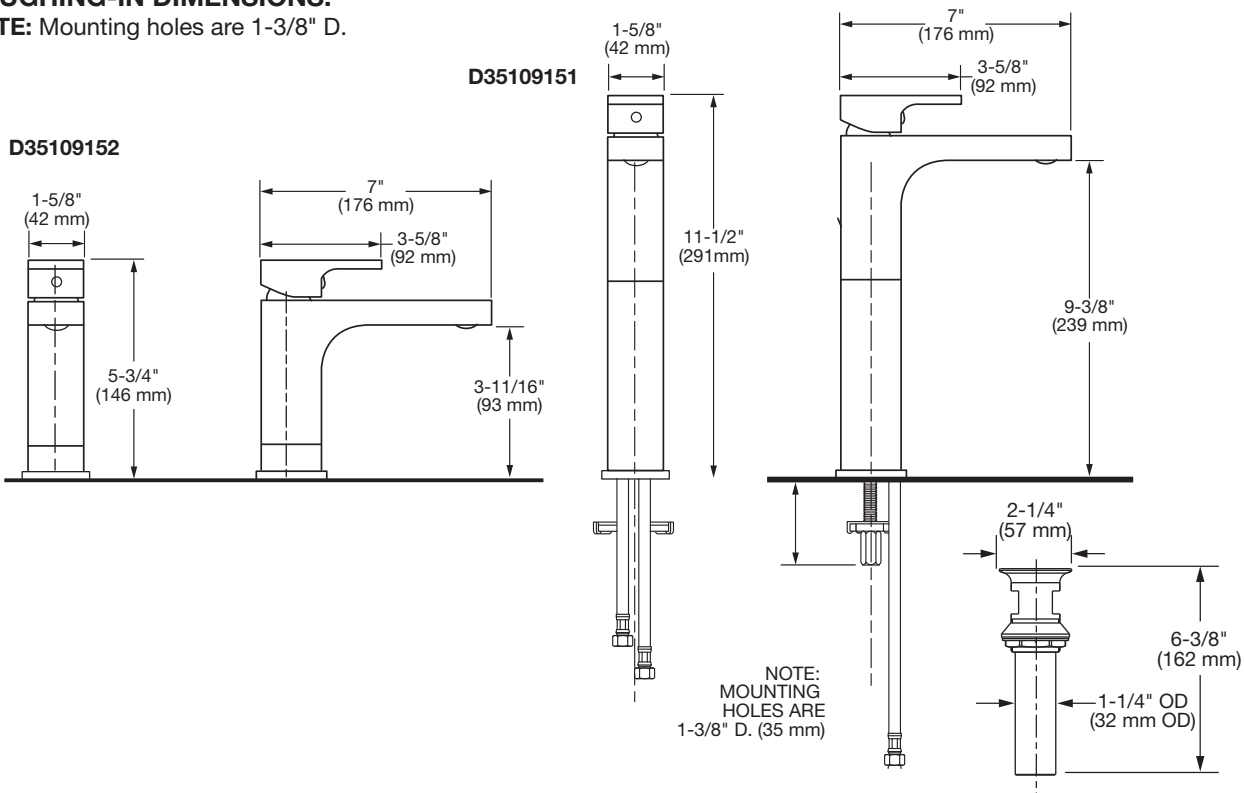
Flat Blade Screwdriver



Plumber's Putty or Caulking

ROUGHING-IN DIMENSIONS:

NOTE: Mounting holes are 1-3/8" D.



In the United States:

DXV
One Centennial Avenue
Piscataway, New Jersey 08855
Attention: Director of Customer Care

For residents of the United States, warranty information may also be obtained by calling the following toll free number: (800) 227-2734
www.DXV.com

In Canada:

DXV
5900 Avebury Road
Mississauga, Ontario
L5R 3M3
Canada

Toll Free: 1-800-387-0369
Local: 905-306-1093
Fax: 1-800-395-1498
www.DXV.ca

In Mexico:

DXV
Via Morelos 330
Col. Santa Clara Coatitla
Ecatepec, Estado de México 55540

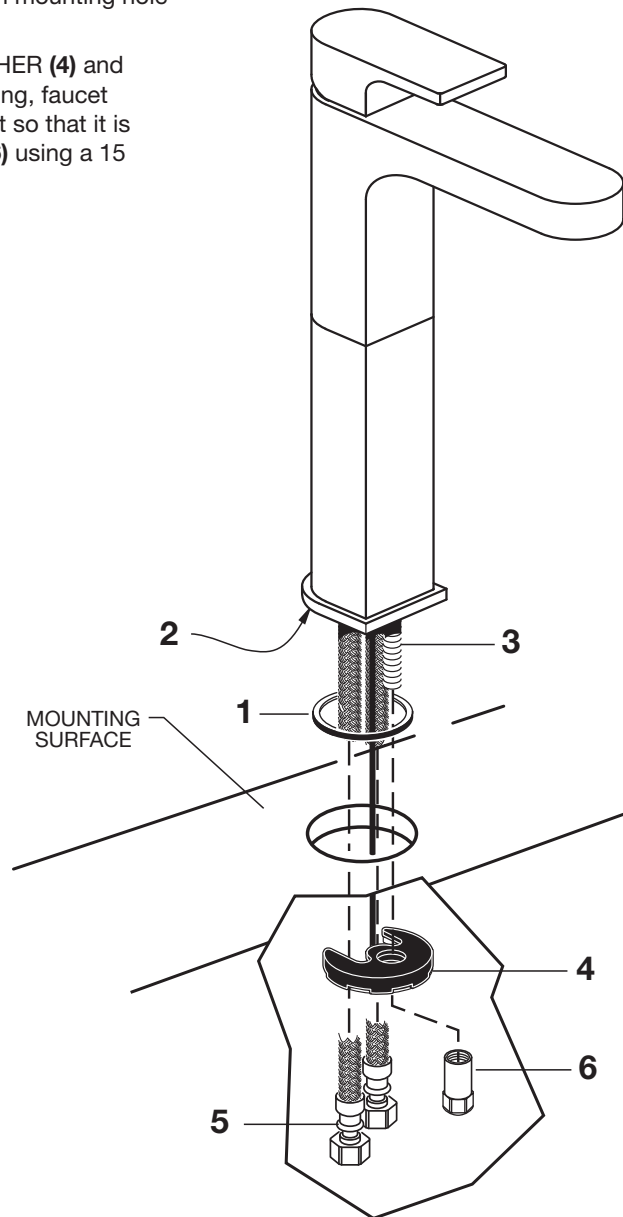
Toll Free: 01-800-8391200
www.DXV.mx

SAVE FOR FUTURE USE

1 INSTALL FAUCET

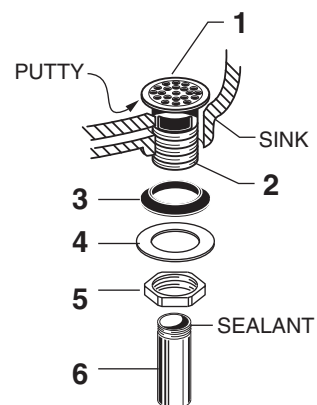
CAUTION Turn off hot and cold water supplies before beginning.

- Install SEAL (1) into groove of FAUCET BASE (2).
- Feed FAUCET SUPPLY TUBES (5) and SHANK (3) through mounting hole of lavatory or mounting surface.
- From below, Install RUBBER SEAL with RETAINING WASHER (4) and LOCKNUT (6) onto faucet SHANK (3). Before final tightening, faucet should be seated flush on mounting surface. Adjust faucet so that it is centered and covers mounting hole. Tighten LOCKNUT (6) using a 15 mm or adjustable wrench. Do not over tighten.



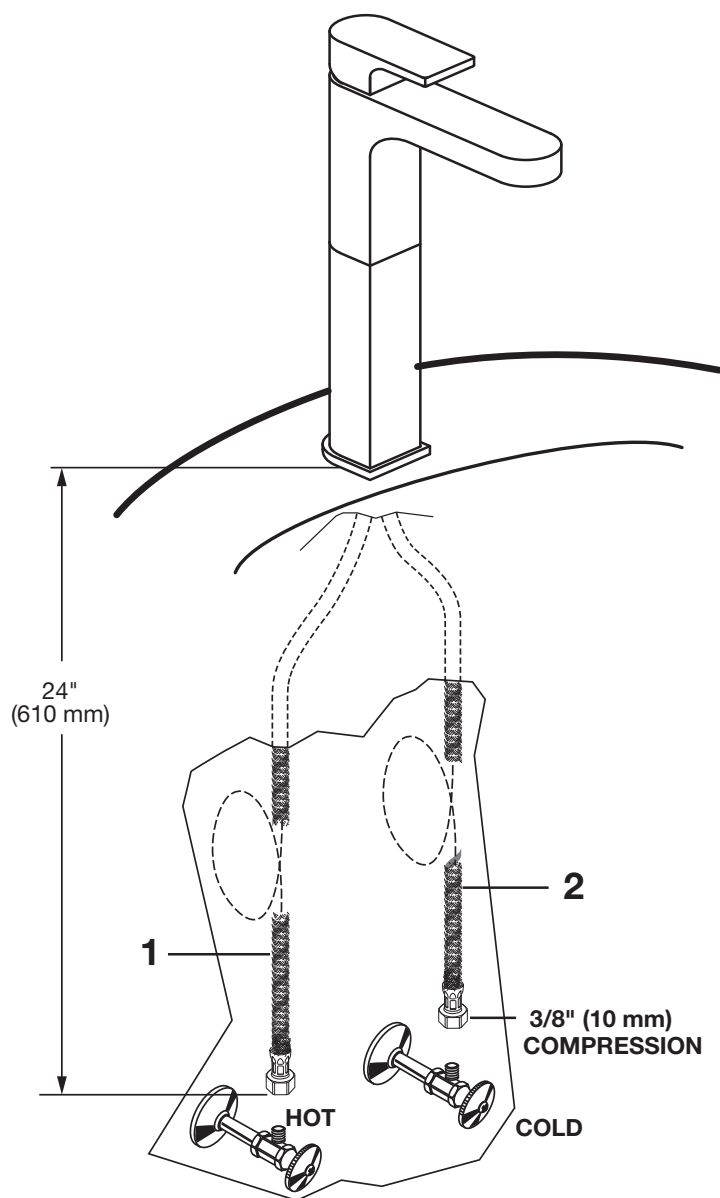
2 DRAIN ASSEMBLY

- Apply a bead of PUTTY around underside of DRAIN FLANGE (1) flange. Insert DRAIN PLUG (2) into SINK drain hole.
- Hold DRAIN PLUG (2) to prevent turning and assemble GASKET (3), WASHER (4), and LOCKNUT (5) from underneath sink.
- Apply sealant to threaded end of TAILPIECE and thread into lower end of DRAIN PLUG. Connect other end to trap.



3 MAKE WATER SUPPLY AND WASTE CONNECTIONS

- Connect FLEXIBLE SUPPLIES (1, 2) directly to wall supplies. Connection on fitting supplies are 3/8" (10 mm) compression. Connect left SUPPLY (1) to Hot (Marked with a Red Band) and right supply to COLD (2) wall supply.
 - Faucet supplies are 24" (610 mm) long from faucet base.
- Note:** If additional supply length is required, installer must purchase additional parts separately.
- Important:** If SUPPLY HOSES (1, 2) are to long, loop as illustrated to avoid kinking.
- Connect 1-1/4" O.D. (32 mm) tailpiece on DRAIN to waste outlet.

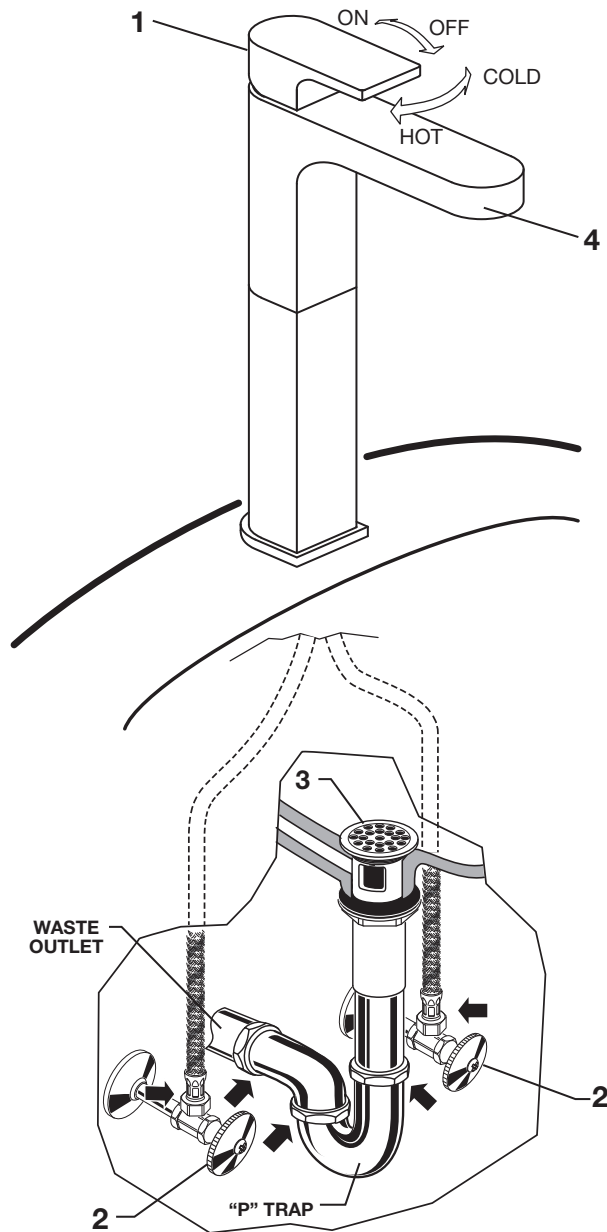


4 TEST INSTALLED FITTING

- Move HANDLE (1) into "off" position.
- Remove AERATOR (4) and clean if necessary.
- Turn on water supplies and check all connections for leaks. ➡
- Operate both HANDLES to flush water lines thoroughly.
- Replace AERATOR.

CHECK DRAIN CONNECTIONS

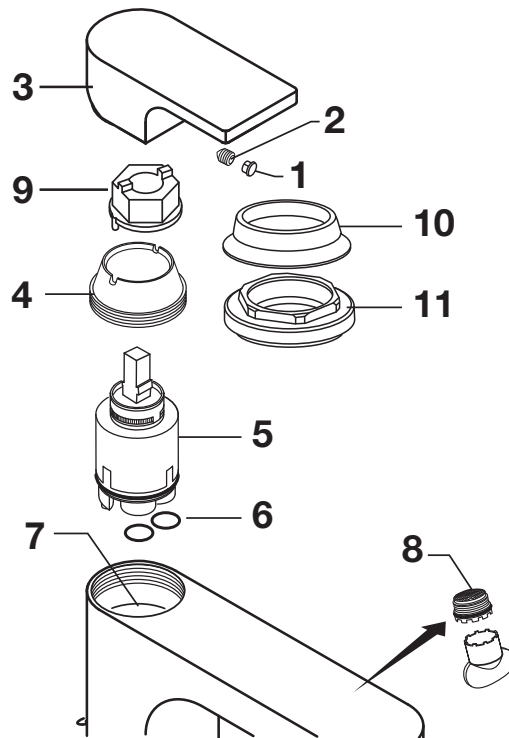
- Check all drain connections and "P" trap for leaks. ➡ Tighten if necessary.



5 SERVICE

CAUTION Turn off hot and cold water supplies before beginning.

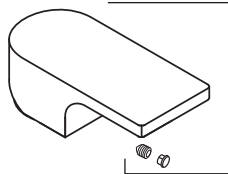
- To remove or replace cartridge:
 - Turn valve to OFF position.
 - Pull out PLUG BUTTON (1) and loosen HANDLE SCREW (2).
 - Pull off HANDLE (3).
 - Unthread and remove CARTRIDGE NUT (4) with CARTRIDGE RING NUT KEY (9). **For Polished Chrome**
 - Pull CARTRIDGE COVER (10) off and unthread CARTRIDGE RING NUT (11).
For Brushed Nickel and Matte Black
 - Pull out CARTRIDGE (5).
 - Inspect CARTRIDGE (5) and O-RINGS (6) for debris and clean if necessary.
 - Clean MANIFOLD (7) and rinse clean.
 - Reinstall CARTRIDGE (5) and O-RINGS (6) onto MANIFOLD (7).
 - Reinstall CARTRIDGE NUT (4), CARTRIDGE RING NUT KEY (9) and HANDLE ASSEMBLY (3). **For Polished Chrome**
 - Reinstall CARTRIDGE RING NUT (11), CARTRIDGE COVER (10) and HANDLE ASSEMBLY (3). **For Brushed Nickel and Matte Black**
- If spout drips, operate handle several times from OFF to ON and HOT to COLD position. Do not force handle.
- AERATOR (8) may accumulate debris causing distorted or reduced water flow. Remove AERATOR (8) and and/or water supplies and rinse clean.



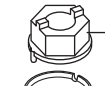
6 CARE INSTRUCTIONS:

DO: SIMPLY RINSE THE PRODUCT CLEAN WITH CLEAR WATER. DRY WITH A SOFT COTTON FLANNEL CLOTH.

DO NOT: DO NOT CLEAN THE PRODUCT WITH SOAPS, ACID, POLISH, ABRASIVES, HARSH CLEANERS, OR A CLOTH WITH A COARSE SURFACE.



M964771-YYY0A
HANDLE KIT



M964848-0070A
CARTRIDGE RING
NUT KEY

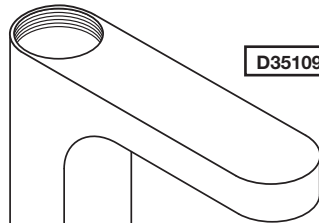


M964773-YYY0A
CARTRIDGE NUT
(Polished Chrome only)

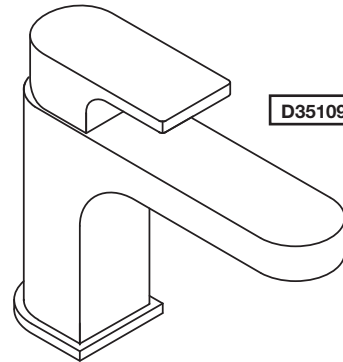
M970228-YYY0A
CARTRIDGE NUT
(Brushed Nickel and
Matte Black only)



M964774-0070A
CARTRIDGE



D35109151



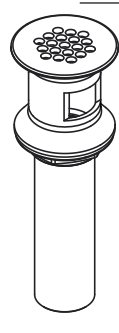
D35109152

M964825-0070A
SEAL



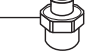
M964776-0070A
AERATOR & KEY

M964777-0070A
MOUNTING KIT



M953455-YYY0D
DRAIN ASSEMBLY

M921935-0070A
ADAPTOR



Equility™

(Formerly LYNDON®)

Single Lever Faucet with Grid Drain

MODEL NUMBERS

Vessel
D35109151
Monoblock
D35109152

Replace the "YYY" with
appropriate finish code

POLISHED CHROME	100
BRUSHED NICKEL	144
MATTE BLACK	243