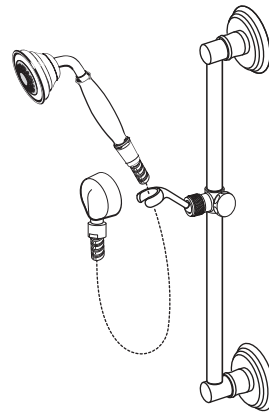


INSTALLATION INSTRUCTIONS

Landfair® Adjustable Personal Hand Shower Bar

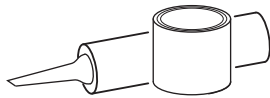
Model D3510779C

Thank you for selecting DXV. To ensure that your installation proceeds smoothly, please read these instructions carefully before you begin.



RECOMMENDED TOOLS AND MATERIALS

Most of the procedures require the use of common tools and materials, which are available from hardware and plumbing supply stores. It is essential that the tools and materials be on hand before work is begun.



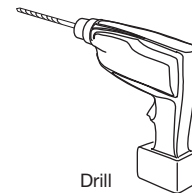
Plumbers' Putty or Caulking



Teflon Tape



Adjustable Wrench



Drill



Level



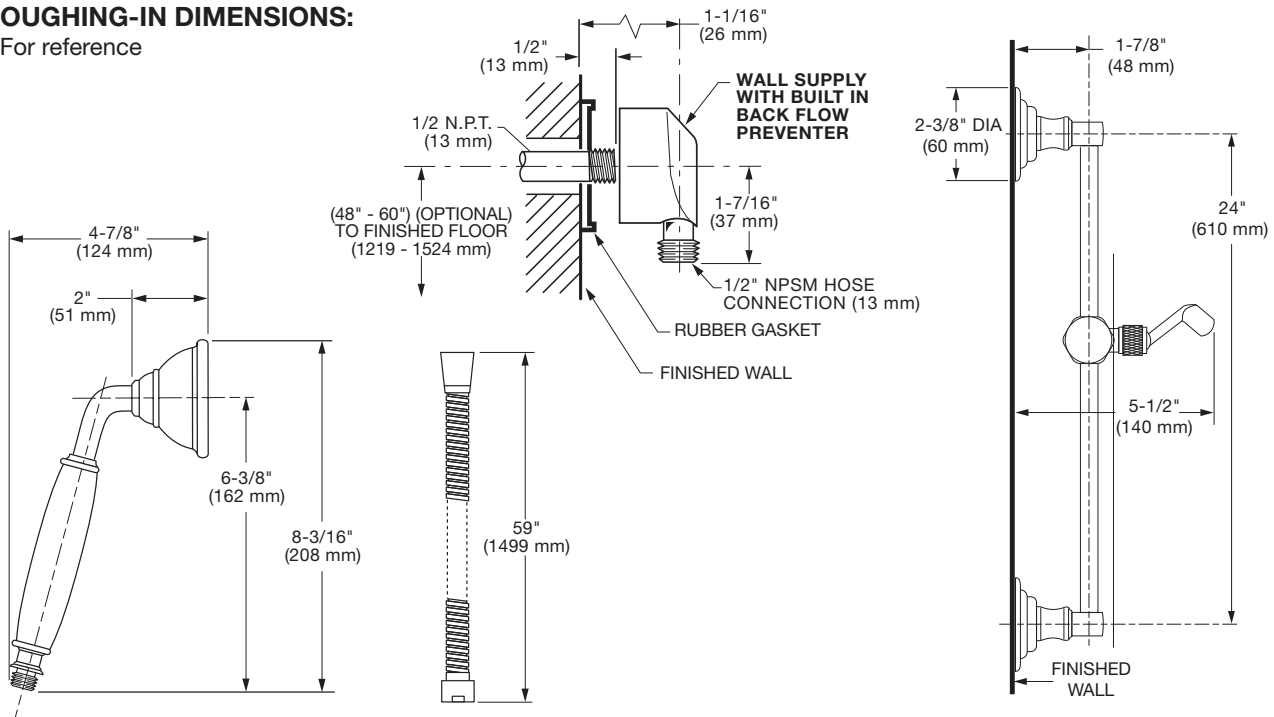
Flat Blade Screwdriver



Phillips Screwdriver

ROUGHING-IN DIMENSIONS:

- For reference



In the United States:

DXV
One Centennial Avenue
Piscataway, New Jersey 08855
Attention: Director of Customer Care

For residents of the United States, warranty information may also be obtained by calling the following toll free number: (800) 227-2734
www.DXV.com

In Canada:

DXV
5900 Avebury Road
Mississauga, Ontario
L5R 3M3
Canada

Toll Free: 1-800-387-0369
Local: 905-306-1093
Fax: 1-800-395-1498
www.DXV.ca

In Mexico:

DXV
Via Morelos 330
Col. Santa Clara Coatitla
Ecatepec, Estado de México 55540

Toll Free: 01-800-8391200
www.DXV.mx

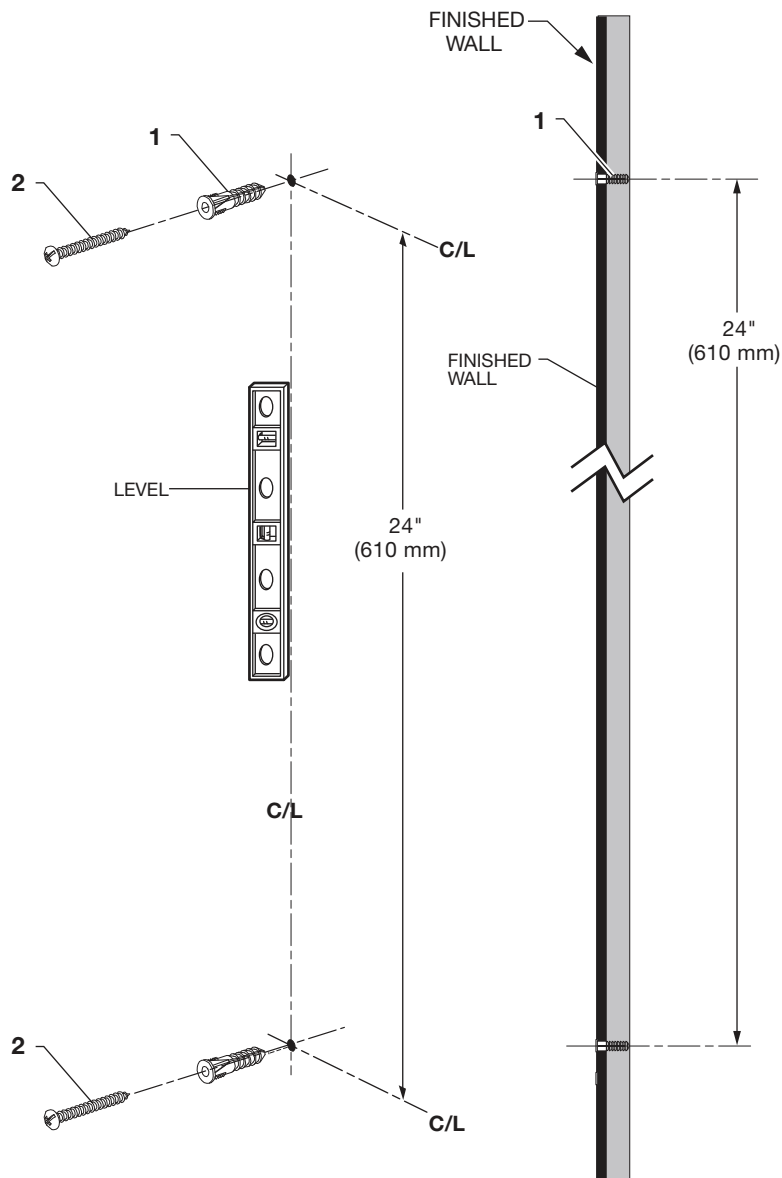
SAVE FOR FUTURE USE

1 INSTALL WALL ANCHORS

- The ADJUSTABLE SHOWER BAR works best if secured to a wall stud or cross brace within the wall, using the SCREWS supplied.
- If the ADJUSTABLE SHOWER BAR is to be installed on a tile or plaster wall the ANCHORS (1) and
- Determine desired height and location (optional) and mark the top center line. Use a level to help mark the vertical center line for the two mounting locations. The distance between the two mounting holes is 24" (610 mm).

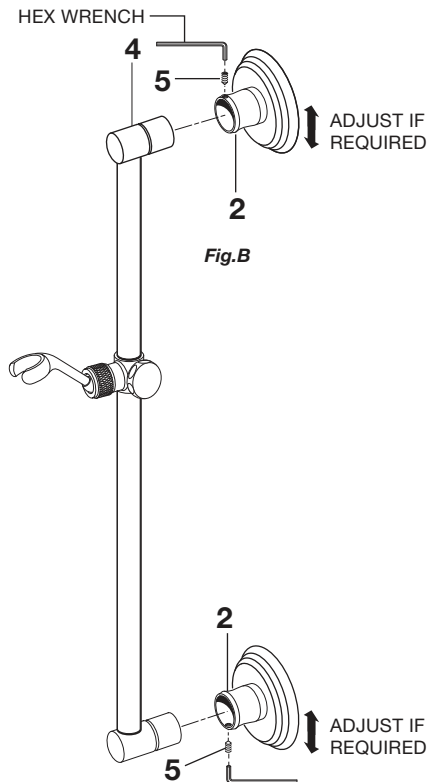
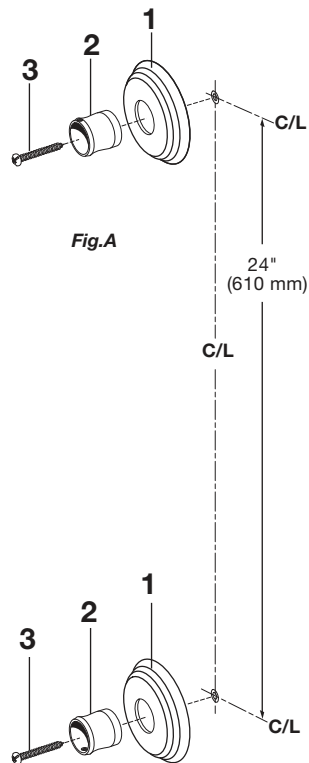
Note: This dimension is important and must be maintained. If ESCUTCHEON is secured to a stud or cross brace with in the wall, drill small pilot holes for SCREWS (2).

- For installations on drywall or tiled walls: Use ANCHORS (1) and SCREWS (2) for securing ESCUTCHEON to finished wall. Drill two 1/4" (6 mm) dia. holes a minimum of 1-3/4" (44 mm) deep. Insert the two ANCHORS (1) flush with face of the finished wall.



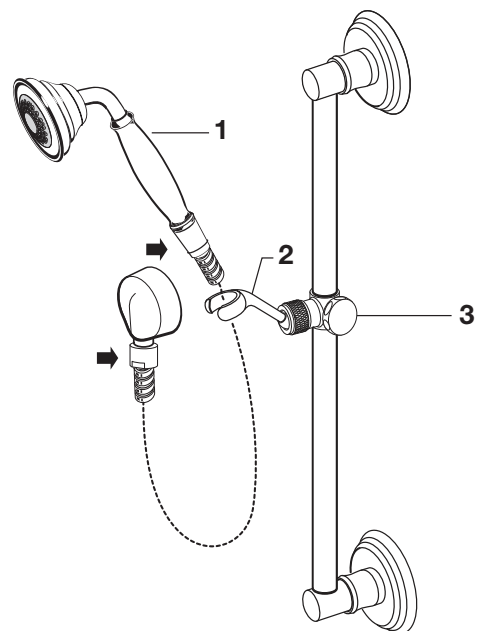
2 INSTALL ADJUSTABLE SHOWER BAR

- Secure the top ESCUTCHEON (1) and MOUNTING SLEEVE (2) to the wall using MOUNTING SCREWS (3). Do not fully tighten. **Fig. A**
- Secure the BOTTOM ESCUTCHEON (1A) in the same way. **Fig. A**
- Install the SHOWER BAR (4) into the two MOUNTING SLEEVES (2). Adjust ESCUTCHEONS (1) if needed. After alignment is made remove the SHOWER BAR (4) and tighten the MOUNTING SCREWS (3) fully. **Fig. B**
- Install the SHOWER BAR (4) back into the two MOUNTING SLEEVES (2) as far as it will go. Tighten the two SET SCREWS (5) with hex wrench supplied to secure the SHOWER BAR (4). **Fig. B**



3 TEST INSTALLED HAND SHOWER

- Remove Hand Shower from the hose. Turn water supplies on to flush water lines thoroughly.
- Turn handles "off" and replace HAND SHOWER.
- Use KNOB (3) on HOLDER (2) to adjust HAND SHOWER (1) height on slide bar.





Landfair^{MD} Adjustable Personal Hand Shower Bar

MODEL NUMBER

D3510779C

Replace the "YYY" with
appropriate finish code

POLISHED CHROME	100
CARBON BRONZE	110
BRUSHED NICKEL	144
PLATINUM NICKEL	150

