

INSTALLATION INSTRUCTIONS

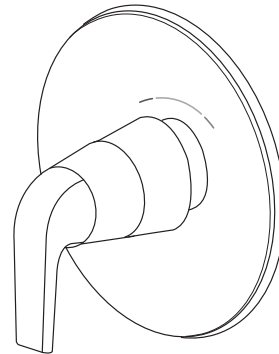


DXV Modulus™ 1/2" (13 mm) & 3/4" (19 mm) Thermostatic Mixing Valve Trim Kit

Models D35120510
D35120510RB

To be used with
D35000510.191 - 1/2" Thermostatic Mixing Valve
D35000530.191 - 3/4" Thermostatic Mixing Valve

Thank you for selecting DXV. To ensure that your installation proceeds smoothly, please read these instructions carefully before you begin.

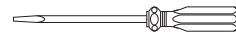


RECOMMENDED TOOLS AND MATERIALS

Most of the procedures require the use of common tools and materials, which are available from hardware and plumbing supply stores. It is essential that the tools and materials be on hand before work has begun.



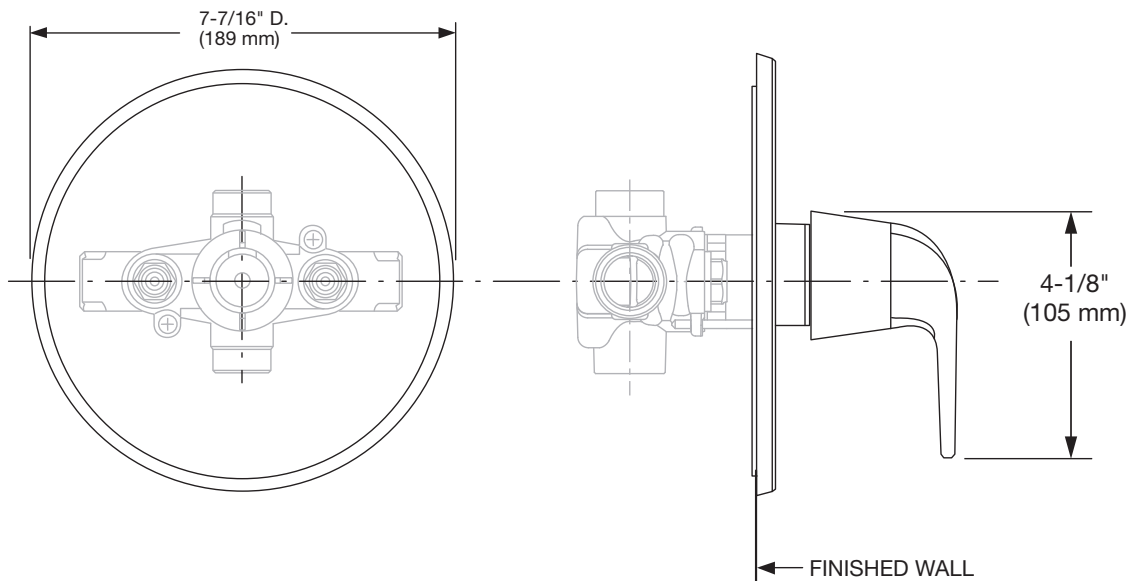
Phillips Screwdriver



Flat Blade Screwdriver

TRIM DIMENSIONS:

- For reference



In the United States:

DXV
One Centennial Avenue
Piscataway, New Jersey 08855
Attention: Director of Customer Care

For residents of the United States, warranty information may also be obtained by calling the following toll free number: (800) 227-2734
www.DXV.com

In Canada:

DXV
5900 Avebury Road
Mississauga, Ontario
L5R 3M3
Canada

Toll Free: 1-800-387-0369
Local: 905-306-1093
Fax: 1-800-395-1498
www.DXV.ca

In Mexico:

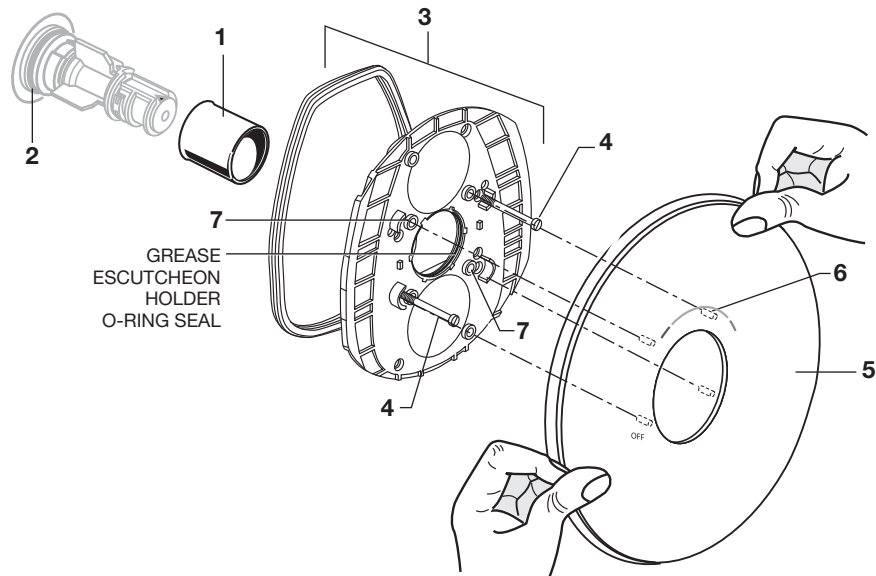
DXV
Via Morelos 330
Col. Santa Clara Coatitla
Ecatepec, Estado de México 55540

Toll Free: 01-800-8391200
www.DXV.mx

SAVE FOR FUTURE USE

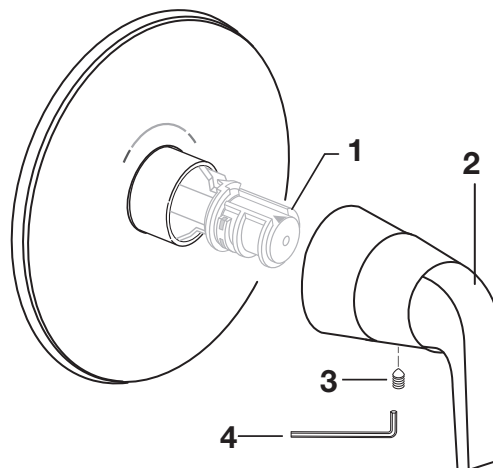
1 TRIM INSTALLATION

- Push CAP (1) over the O-RING SEAL (2).
- Push ESCUTCHEON HOLDER and SEAL (3) with lightly greased O-ring seal over CAP (1) and secure with SCREWS (4).
- Align PINS (6) on back side of ESCUTCHEON (5) with the HOLES (7) in ESCUTCHEON HOLDER (3) and press ESCUTCHEON (5) flush against finished wall.



2 HANDLE INSTALLATION

- Push HANDLE (2) onto KNOB MOUNT (1).
- Tighten SET SCREW (3) with HEX WRENCH (4) to secure HANDLE (2).





DXV Modulus™

1/2" (13 mm) & 3/4" (19 mm)
Thermostatic Mixing
Valve Trim KIT

MODEL NUMBERS

D35120510
D35120510RB

Replace the "YYY" with
appropriate finish code

POLISHED CHROME	100
BRUSHED NICKEL	144
PLATINUM NICKEL	150
MATTE BLACK	243

