

INSTALLATION INSTRUCTIONS



Percy® Wall-Mounted Vessel Lavatory Faucet

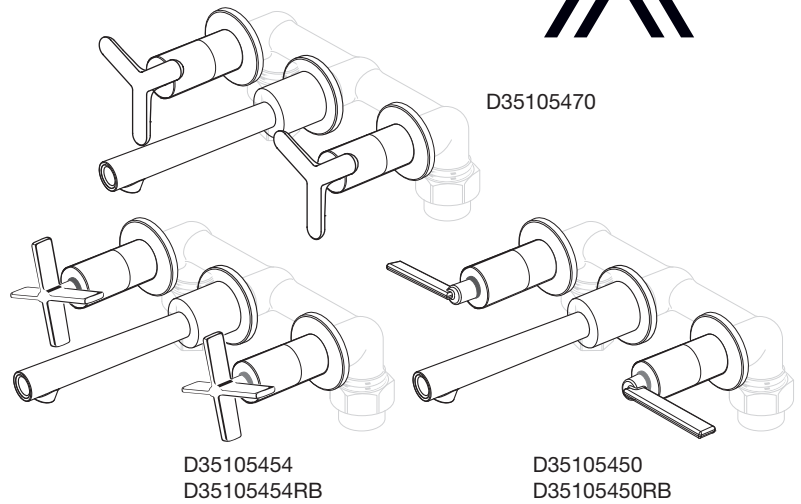
Tri-Spoke Handle
Model D35105470

Cross Handle
Models D35105454, D35105454RB

Cylinder Handle
Models D35105450, D35105450RB

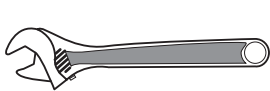
To be used with D35000450.191
Dual Control Wall Mount Lavatory Rough

Thank you for selecting DXV. To ensure that your installation proceeds smoothly, please read these instructions carefully before you begin.



RECOMMENDED TOOLS AND MATERIALS

Most of the procedures require the use of common tools and materials, which are available from hardware and plumbing supply stores. It is essential that the tools and materials be on hand before work is begun.



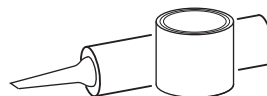
Adjustable Wrench



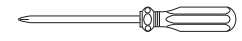
Channel Locks



Teflon Tape



Plumbers' Putty or Caulking



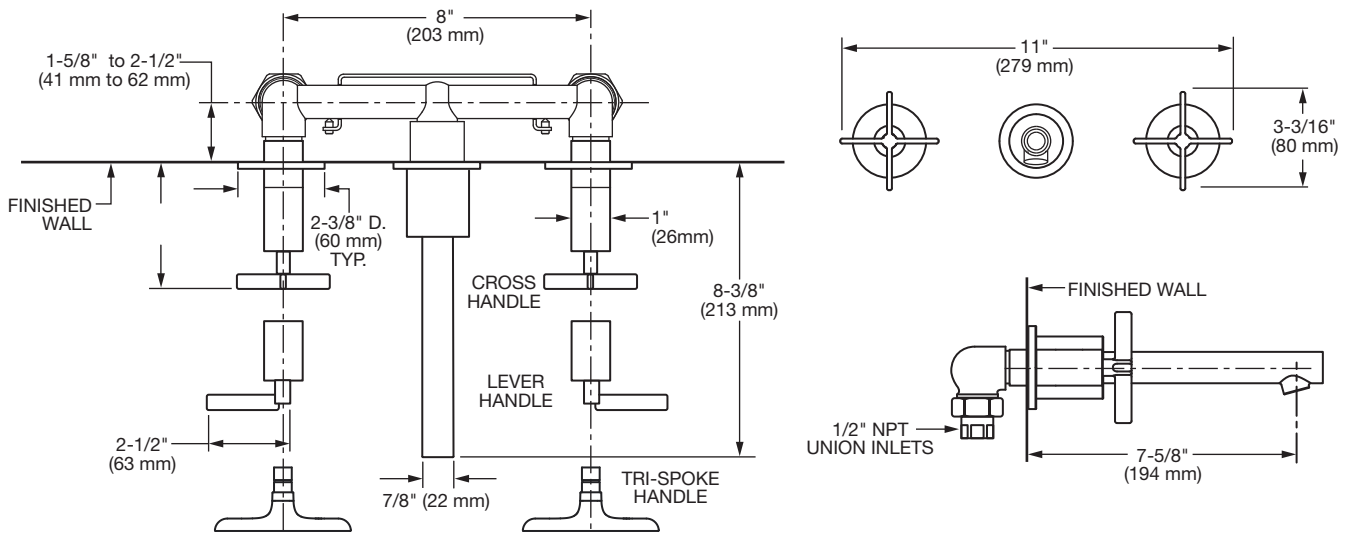
Phillips Screwdriver



Flat Blade Screwdriver

ROUGHING-IN DIMENSIONS:

• For reference



In the United States:

DXV
One Centennial Avenue
Piscataway, New Jersey 08855
Attention: Director of Customer Care

For residents of the United States, warranty information may also be obtained by calling the following toll free number: (800) 227-2734
www.DXV.com

In Canada:

DXV
5900 Avebury Road
Mississauga, Ontario
L5R 3M3
Canada

Toll Free: 1-800-387-0369
Local: 905-306-1093
Fax: 1-800-395-1498
www.DXV.ca

In Mexico:

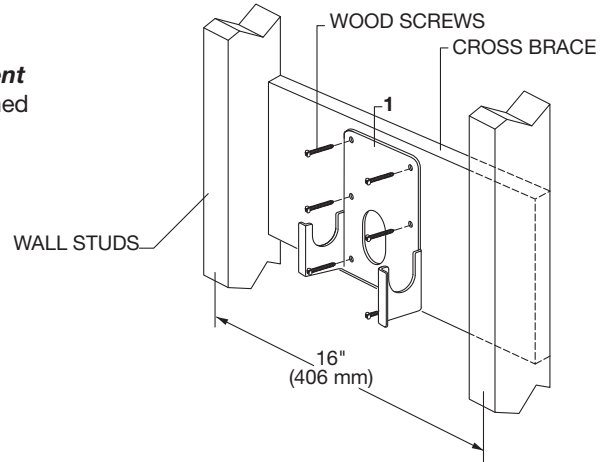
DXV
Via Morelos 330
Col. Santa Clara Coatitla
Ecatepec, Estado de México 55540

Toll Free: 01-800-8391200
www.DXV.mx

SAVE FOR FUTURE USE

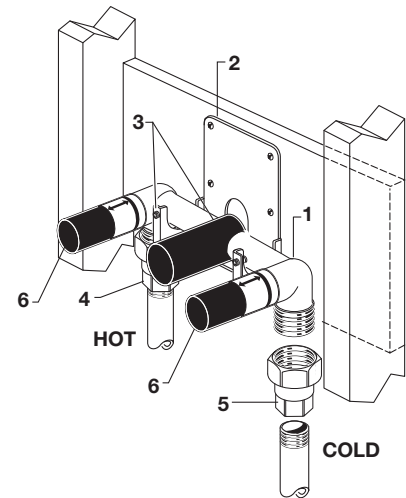
1 INSTALL WALL BRACKET

- Determine where the finished wall location will be. **This measurement is very important! Note:** The rough-in measurement from the finished wall is; 1-9/16" (40 mm) minimum and 2-7/16" (62 mm) maximum. This is a 7/8" (22 mm) tolerance. See rough-in illustration.
- Secure WALL BRACKET (1) to cross brace of wall structure at required height using six wood screws.



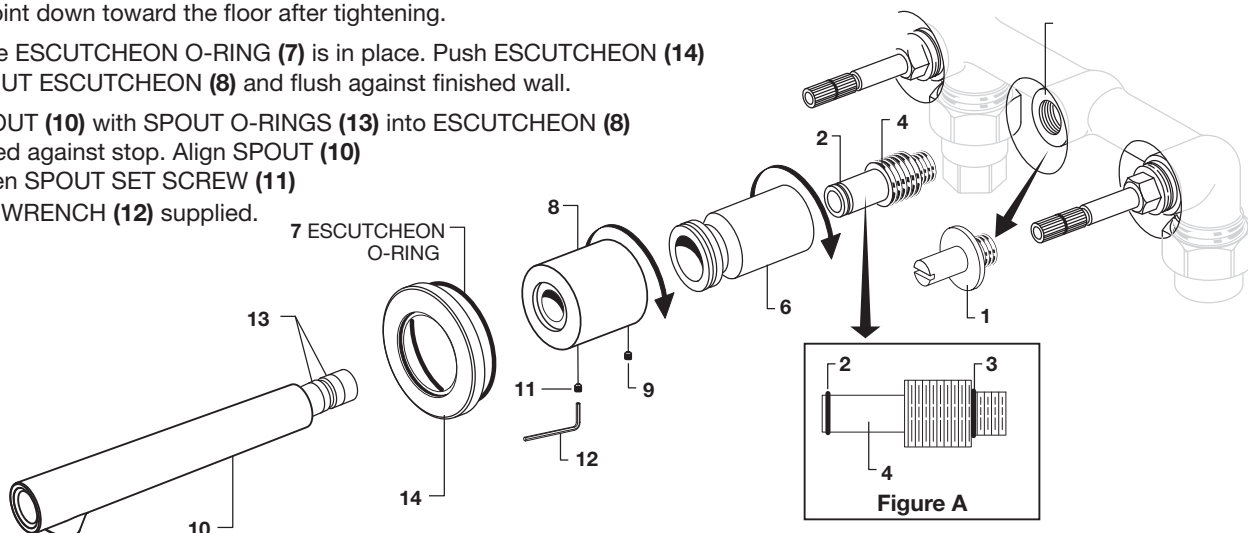
2 INSTALL VALVE BODY

- Mount VALVE BODY (1) to WALL BRACKET (2) as shown. Level and tighten SET SCREWS (3) to secure VALVE BODY (1) to WALL BRACKET (2).
- Connect HOT water supply to LEFT INLET UNION (4) and COLD water supply to RIGHT INLET UNION (5). Pipe connections are 1/2" NPT. Use sealant or Teflon tape on pipe connections. **Do not solder directly to valve body.**
- With valves closed open supply lines and check for leaks. Remove PLASTER GUARDS (6) and open both valves and check for leaks.
- Close both valves and turn off water supplies. Replace PLASTER GUARDS (6) and finish wall construction.



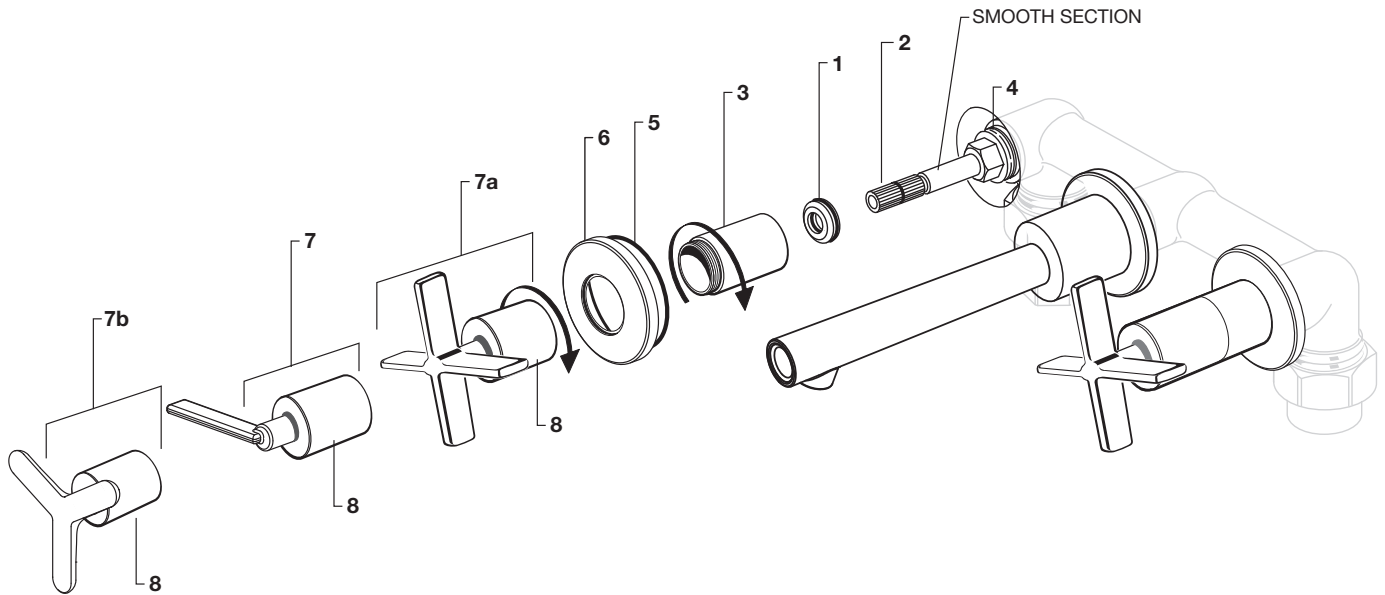
3 INSTALL HANDLE

- Remove PLASTER GUARDS and unthread ROUGH-IN NIPPLE (1).
- Inspect that SPOUT NIPPLE O-RINGS (2 & 3) are seated in the grooves of SPOUT NIPPLE (4).
- Thread SPOUT NIPPLE (4) into VALVE BODY (5). Tighten SPOUT NIPPLE (4) to VALVE BODY (5).
- Thread ESCUTCHEON MOUNT (6) onto SPOUT NIPPLE (4) until it engages the O-RING (2).
- Push the SPOUT ESCUTCHEON (8) onto ESCUTCHEON MOUNT (6) until it seats against the internal stop. Tighten SET SCREW (9) with HEX WRENCH (12) supplied.
- Thread ESCUTCHEON (8) flush against finished wall. SET SCREWS (9 & 11) should point down toward the floor after tightening.
- Make sure ESCUTCHEON O-RING (7) is in place. Push ESCUTCHEON (14) onto SPOUT ESCUTCHEON (8) and flush against finished wall.
- Push SPOUT (10) with SPOUT O-RINGS (13) into ESCUTCHEON (8) until seated against stop. Align SPOUT (10) and tighten SPOUT SET SCREW (11) with HEX WRENCH (12) supplied.



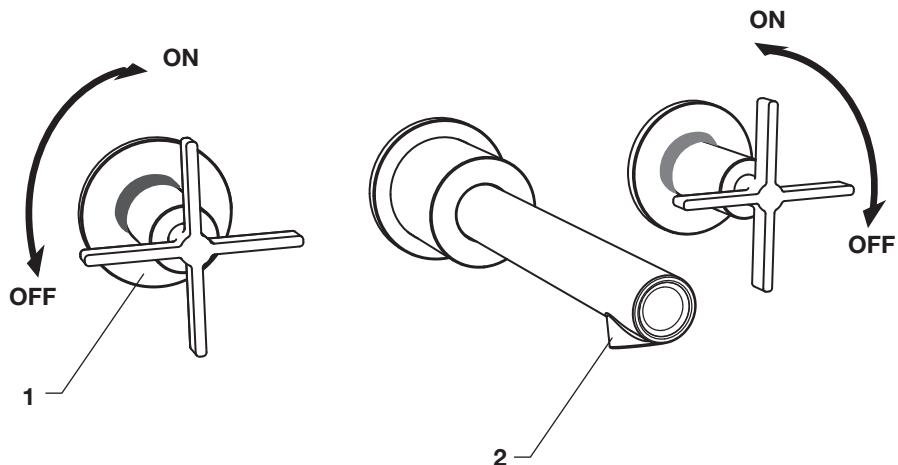
4 INSTALL HANDLES

- Slide BARREL SLEEVE WASHER (1) onto VALVE STEM (2) until WASHER (1) is on the smooth section of the VALVE STEM (2).
- Thread BARREL SLEEVE (3) onto VALVE BODY (4) and tighten.
- Make sure ESCUTCHEON O-RING (5) is in place. Slide ESCUTCHEON (6) onto BARREL SLEEVE (3) flush against finished wall.
- Align HANDLE as shown or as desired and install HANDLE ASSEMBLY (7, 7a, 7b) onto VALVE STEM (2).
- Thread HANDLE BASE (8) onto BARREL SLEEVE (3) until tight.
- Turn on the water supply. Check that the fitting works correctly and does not leak.



5 TEST INSTALLED FAUCET

- With HANDLE (1) in OFF position, turn on WATER SUPPLIES and check all connections for leaks.
- Remove AERATOR (2). First loosen aerator set screw with HEX WRENCH (3) supplied. Pull out AERATOR (2) with AERATOR KEY (4).
- Operate HANDLES (1) to flush water lines thoroughly.
- Replace AERATOR (2) and tighten set screw.





Percy[®] Wall-Mounted Vessel Lavatory Faucet

MODEL NUMBERS

Tri-Spoke Handle
D3510547

Cross Handle
D35105454 / D35105454RB

Cylinder Handle
D35105450 / D35105450RB

Replace the "YYY" with appropriate finish code

POLISHED CHROME	100
BRUSHED NICKEL	144

