

# INSTALLATION INSTRUCTIONS

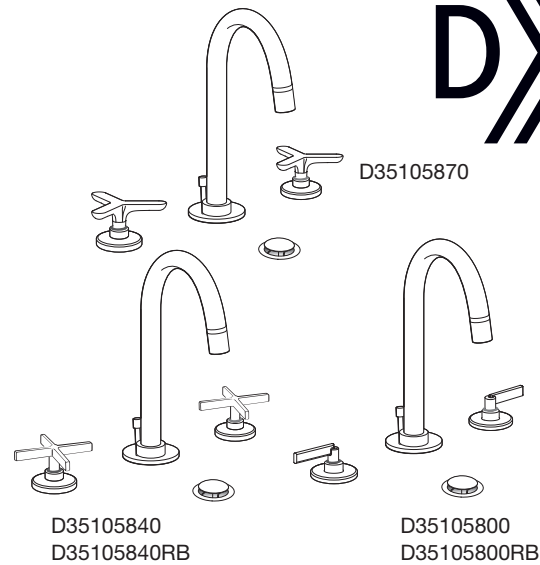


## Percy® Widespread Lavatory Faucets

**Tri-Spoke Handle  
Model D35105870**

**Cross Handle  
Models D35105840, D35105840RB**

**Cylinder Handle  
Models D35105800, D35105800RB**



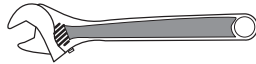
*Thank you for selecting DXV. To ensure that your installation proceeds smoothly, please read these instructions carefully before you begin.*

### RECOMMENDED TOOLS AND MATERIALS

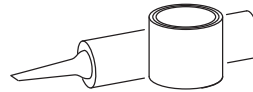
Most of the procedures require the use of common tools and materials, which are available from hardware and plumbing, supply stores. It is essential that the tools and materials be on hand before work has begun.



Channel Locks



Adjustable Wrench



Plumbers' Putty or Caulking



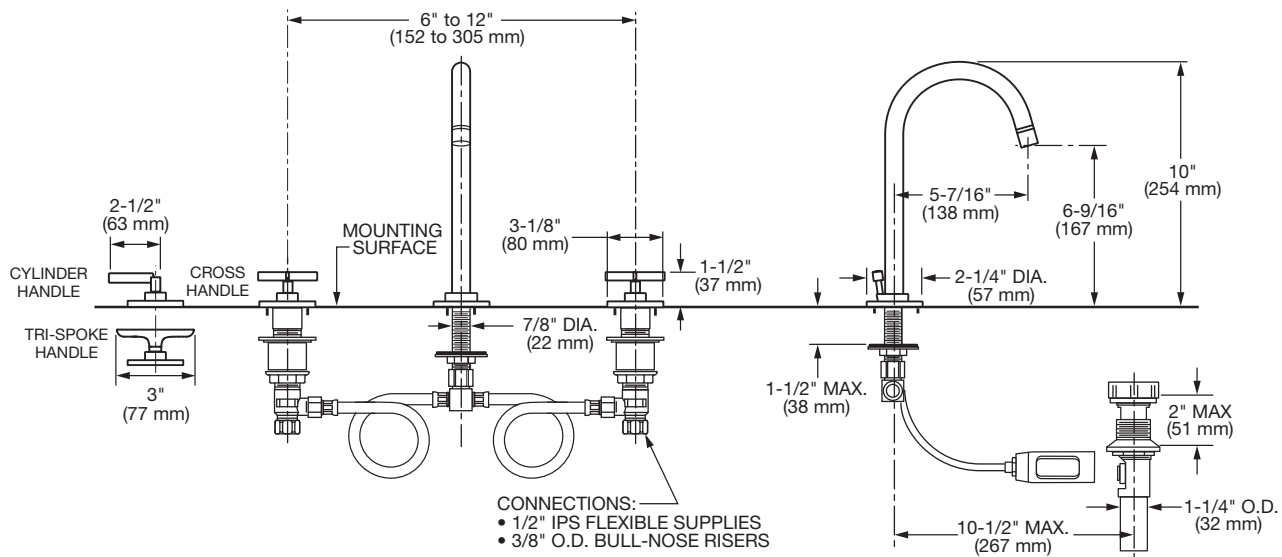
Phillips Screwdriver



Flat Blade Screwdriver

### ROUGHING-IN DIMENSIONS:

- For reference



NOTE: MOUNTING HOLES ARE 1-3/8" DIA. (35 mm)

#### In the United States:

DXV  
One Centennial Avenue  
Piscataway, New Jersey 08855  
Attention: Director of Customer Care

For residents of the United States, warranty information may also be obtained by calling the following toll free number: (800) 227-2734  
www.DXV.com

#### In Canada:

DXV  
5900 Avebury Road  
Mississauga, Ontario  
L5R 3M3  
Canada

Toll Free: 1-800-387-0369  
Local: 905-306-1093  
Fax: 1-800-395-1498  
www.DXV.ca

#### In Mexico:

DXV  
Via Morelos 330  
Col. Santa Clara Coatitla  
Ecatepec, Estado de México 55540

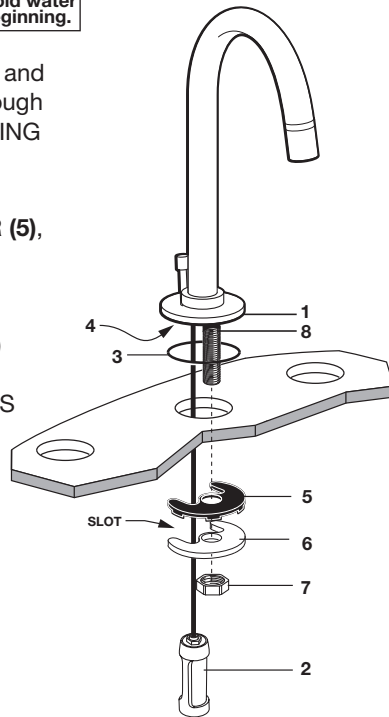
Toll Free: 01-800-8391200  
www.DXV.mx

SAVE FOR FUTURE USE

## 1 SPOUT ASSEMBLY

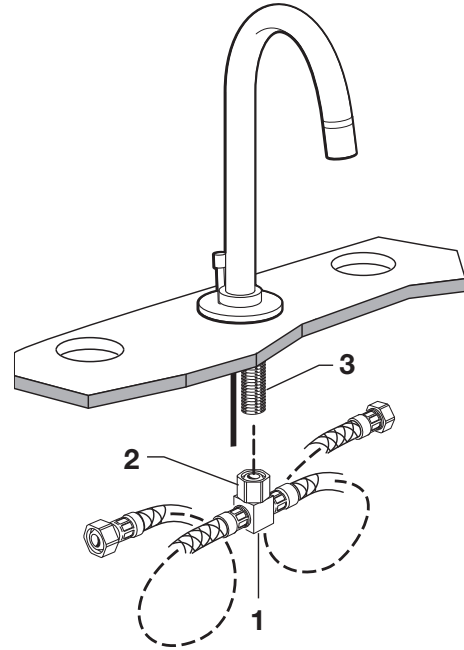
**CAUTION** Turn off hot and cold water supplies before beginning.

- Insert SPOUT ASSEMBLY (1) and CABLE CONNECTOR (2) through center hole, making sure O-RING SEAL (3) is properly seated in SPOUT BASE (4) groove.
- Assemble RUBBER WASHER (5), BRASS WASHER (6) and LOCKNUT (7) onto SPOUT SHANK (8) from under side of sink. Make sure SPOUT (1) is centered in the mounting hole and the slot in the BRASS WASHER (6) faces toward the front of the sink.
- Tighten LOCKNUT (7) firmly.



## 2 TEE ASSEMBLY

- Thread TEE BODY (1) COUPLING NUT (2) to SPOUT SHANK (3). Tighten with wrenches.



## 3 INSTALL VALVE BODIES

- Thread LOCKNUT (1) to bottom of VALVE BODY (2). Make sure SPACER (3), BRASS WASHER (4) and RUBBER WASHER (5) are installed.
- Insert VALVE BODY (2) through mounting hole from underside of lavatory or mounting surface.  
**Note: VALVE BODY marked Hot (Red Dot) is installed in the left Mtg.hole, VALVE BODY marked Cold (Blue Dot) in the right when facing front of fitting. Maximum mounting surface thickness is 1-3/4" (44mm).**
- Install STOP RING (6) onto VALVE BODY (2).
- Thread FLANGE (7) onto VALVE BODY (2) until tight against the STOP RING (6).
- Align VALVE BODY (2) and from below tighten LOCKNUT (1) to secure VALVE BODY (2).

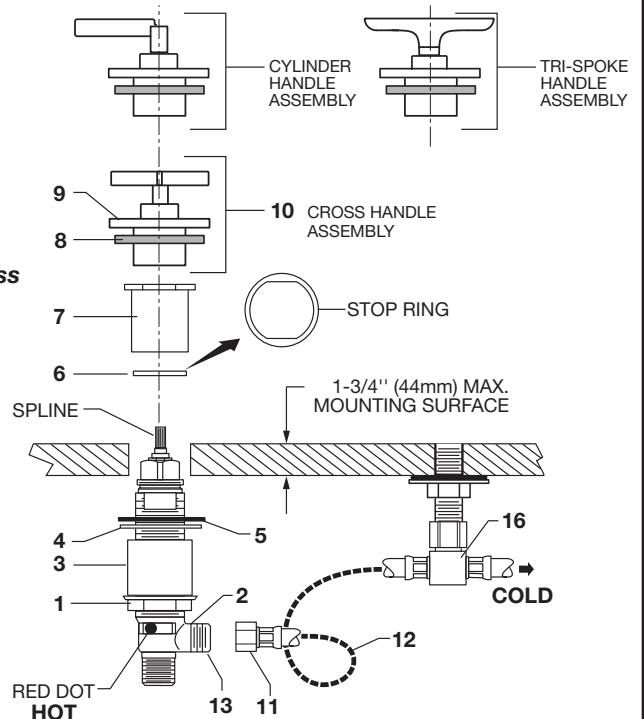
### INSTALL HANDLELS

- Install SEAL (8) into base of HANDLE ESCUTCHEON (9).
- Turn VALVES to off position. Align HANDLE ASSEMBLY (10) and push down onto spline of VALVE BODY (2). Thread HANDLE ESCUTCHEON (9) tight against mounting surface.
- Installation for the Cold Water Valve is the same.

### HOSE CONNECTIONS

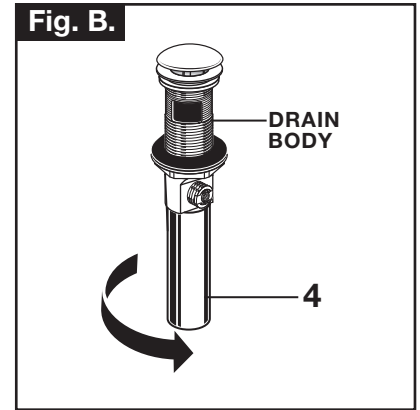
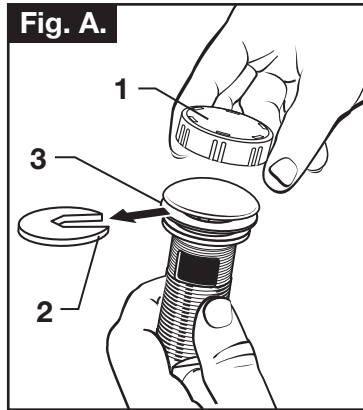
- Tighten COUPLING NUT (11) on SUPPLY HOSE (12) to OUTLET (13) making a water tight connection.

**Important: Loop SUPPLY HOSES (12) as shown so they do not kink.**



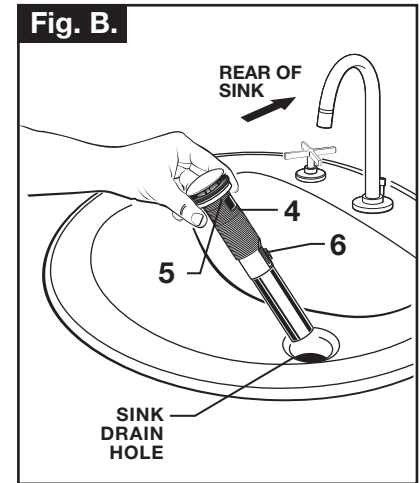
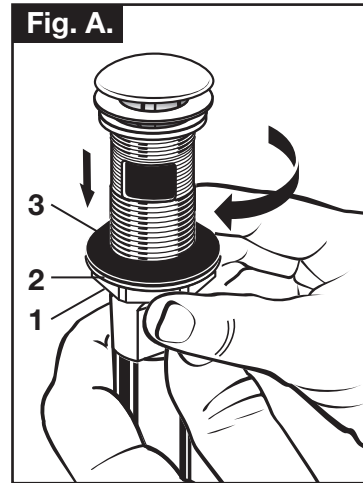
#### 4 INSTALL POP-UP DRAIN

- Remove CLEAR PLASTIC COVER (1). Fig. A.
- Remove FOAM SPACER (2) from under DRAIN POP-UP (3). Fig. A.
- Tighten TAILPIECE (4) on DRAIN BODY before installing DRAIN BODY. Fig. B.



#### 5 REMOVE MOUNTING WASHERS AND LOCKNUT

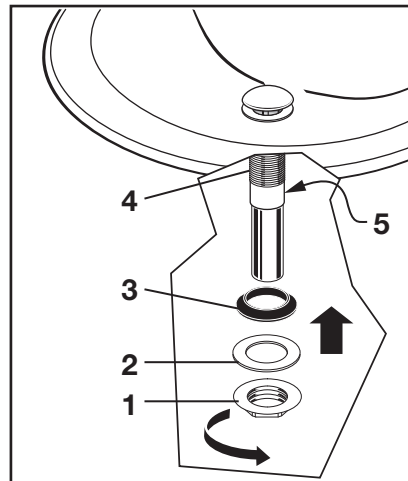
- Thread LOCKNUT (1) counter-clockwise and remove from drain body. Remove PLASTIC WASHER (2) and pull off RUBBER CONE WASHER (3). Fig. A.
  - Drop DRAIN BODY (4) through sink drain hole. Make sure WHITE FOAM GASKET (5) is under flange of DRAIN BODY (4). Fig. B.
- Note: No plumber's putty or caulk is required.**
- The CABLE ATTACHMENT POINT (6) must face towards the rear of the SINK. Fig. B.



#### 6 ATTACH DRAIN FROM BELOW FIXTURE

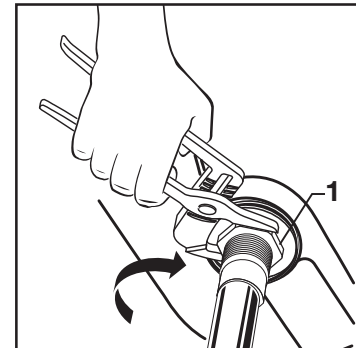
- From under side of SINK install RUBBER CONE WASHER (3), PLASTIC WASHER (2) and LOCKNUT (1) onto DRAIN BODY (4).

**Note: The CABLE ATTACHMENT POINT (5) must face towards the rear of the SINK.**



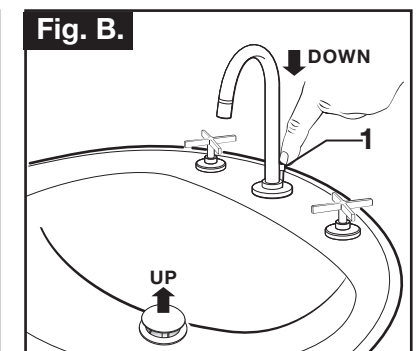
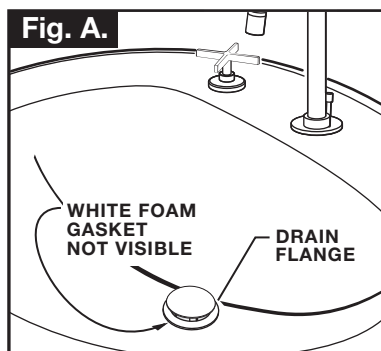
#### 7 TIGHTEN LOCKNUT

- Tighten LOCKNUT (1) firmly with Adjustable Wrench or Channel Locks.



#### 8 FLANGE GASKET AND POP-UP KNOB

- Check DRAIN FLANGE in SINK to ensure that WHITE FOAM GASKET (3) is fully compressed and not visible. Fig. A.
- POP-UP KNOB (1) must be fully down. Fig. B.

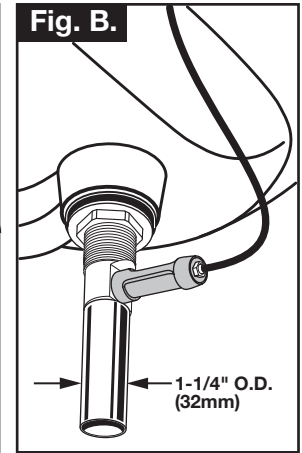
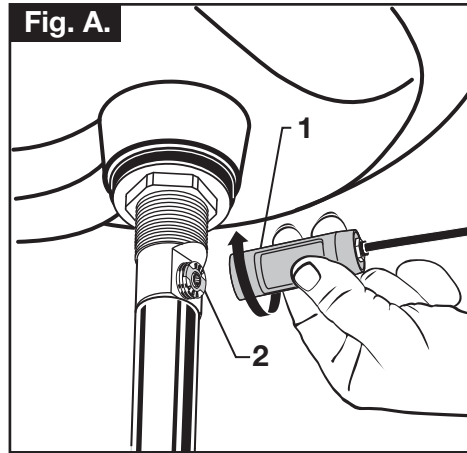


## 9 ATTACH CABLE CONNECTOR

- Thread CABLE CONNECTOR (1) clockwise onto DRAIN BODY CONNECTION (2) and hand tighten. Fig. A.

Your new POP-UP DRAIN installation is now complete. Fig. B.

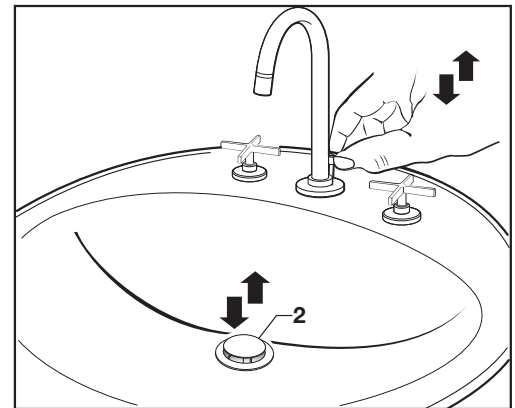
**Note:** Tailpiece on pop-up drain is 1-1/4" O.D. (32mm) Fig. B.



## 10 CHECK OPERATION OF POP-UP

- Operate LIFT KNOB (1) to verify that STOPPER (2) opens and closes.

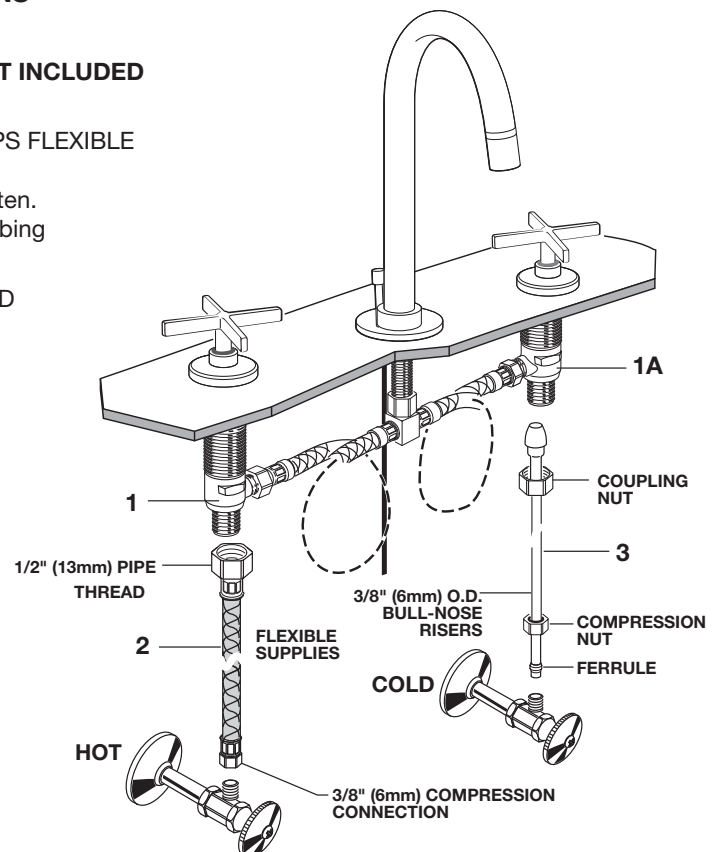
**Note:** If STOPPER (2) does not open and close properly then refer to the "troubleshooting section" of these instructions.



## 11 MAKE WATER SUPPLY AND WASTE CONNECTIONS

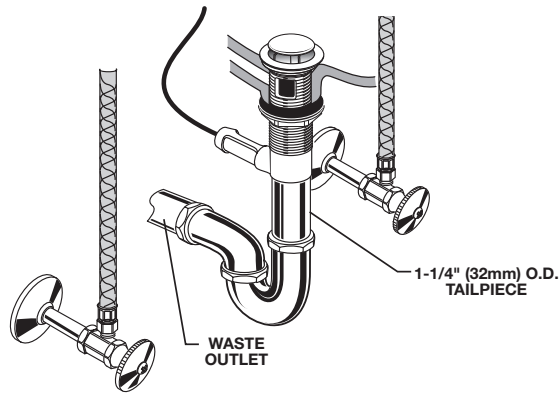
**NOTE: FLEXIBLE SUPPLIES OR BULL-NOSE RISERS NOT INCLUDED AND MUST BE PURCHASED SEPARATELY.**

- Connect water supply to VALVE BODIES (1,1A) with 1/2" IPS FLEXIBLE SUPPLIES (2) or 3/8" O.D. BULL-NOSE RISERS (3). Use adjustable wrench to tighten connections. Do not over tighten. Be careful not to kink copper supply when bending. Use tubing cutter to cut to proper length.
- Connect HOT water supply to inlet of left SHANK and COLD water supply to right SHANK using sealant, appropriate connectors, and COUPLING NUTS.



## 12 CONNECT DRAIN

- Connect 1-1/4" (32mm) O.D. tailpiece on POP-UP DRAIN to waste outlet.



## 13 TEST INSTALLED FITTING

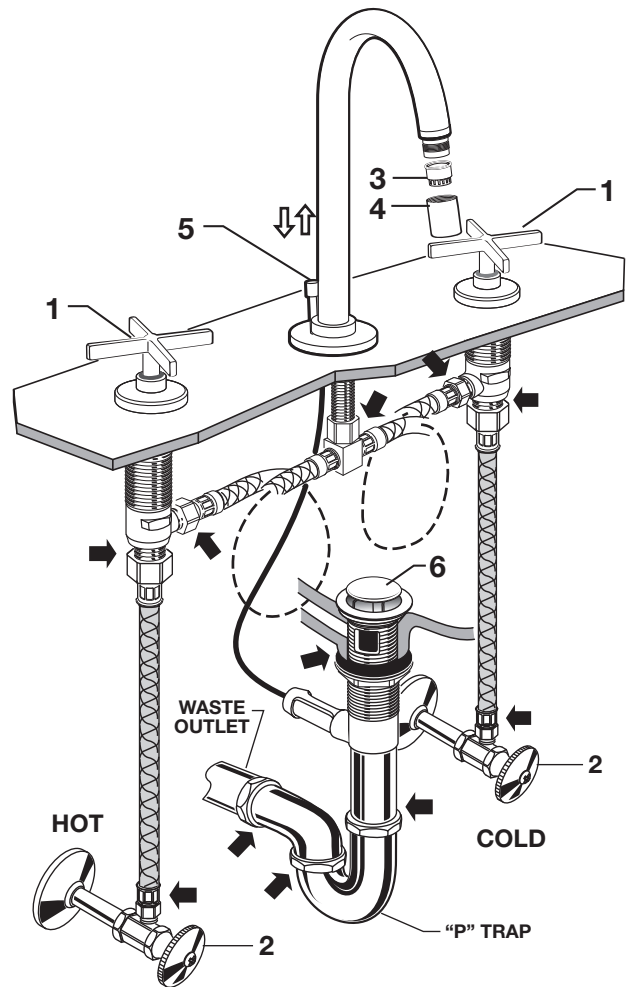
- With HANDLE (1) in OFF position, turn on WATER SUPPLIES (2) and check all connections for leaks. ➡
- Remove AERATOR (3). Loosen AERATOR HOUSING (4) and remove AERATOR (3).
- Operate HANDLES (1) to flush water lines thoroughly.
- Replace AERATOR (3) and tighten AERATOR HOUSING (4).

## 14 CHECK DRAIN CONNECTIONS

- Operate POP-UP KNOB (5) and fill lavatory with water. Check that DRAIN STOPPER (6) makes a good seal and retains water in Sink. If DRAIN STOPPER (6) does not seal properly, please refer to Troubleshooting section in these instructions.
- Push POP-UP KNOB (5) down and check all drain connections and "P" trap for leaks. ➡ Tighten if necessary.

### TO CLEAN AERATOR

- AERATOR (3) may accumulate dirt causing distorted and reduced water flow. Remove AERATOR (3) and rinse clean.
- Replace AERATOR (3) and operate handles several times from OFF to ON position. Do not force, handles turn only 90°.



## Speed Connect® Drain Troubleshooting Guide

If sink does not hold water even though Stopper is in the “down” position:

- Follow CABLE ADJUSTMENT PROCEDURE.

If Stopper does not raise up fully or sink drains too slowly:

- Follow CABLE ADJUSTMENT PROCEDURE.

If you need to remove the Stopper:

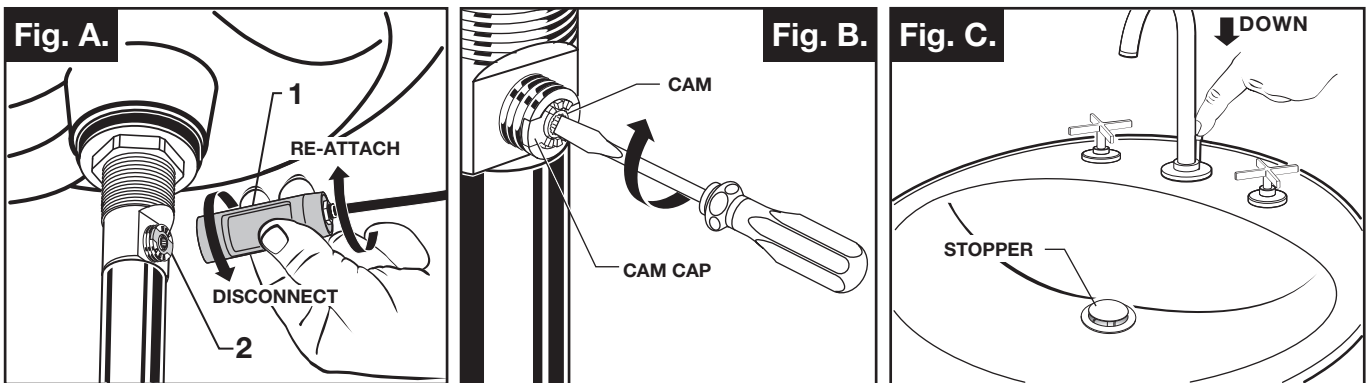
- Follow STOPPER REMOVAL PROCEDURE.

If you would like the ability to remove your Stopper simply by lifting it out of the drain:

- Follow STOPPER INSTALLATION PROCEDURE for “Unlocked” mode.

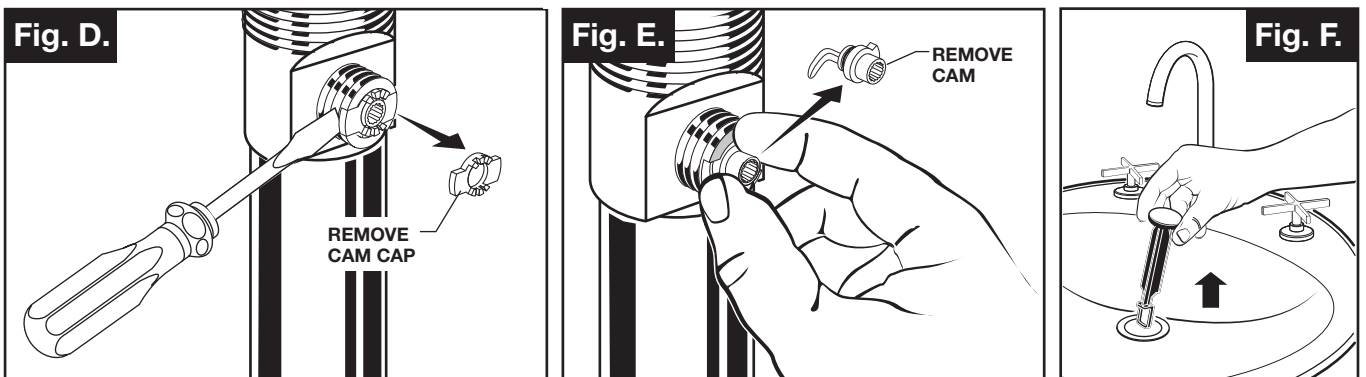
### CABLE ADJUSTMENT PROCEDURE

- Disconnect the Cable from the Drain by threading the Cable Connector (1) counter-clockwise. **Fig. A.**
- Look at the area on the Drain Body where the Cable was attached and locate the component labeled as “Cam” in the illustration. **Fig. B.**
- Use a small screwdriver to rotate the Cam in the clockwise direction as far as it will go. At this point the Stopper should be in the UP position. **Fig. B, C.**
- Push DOWN on the Lift-Knob to make sure it is fully down. **Fig. C.**
- Re-attach the Cable to the Drain Body Connection (2) by threading the Cable Connector (1) clockwise onto the Drain Body Connection (2) and hand-tighten. **Fig. A.**



### STOPPER REMOVAL PROCEDURE

- Disconnect the Cable from the Drain by threading the Cable Connector (1) counter-clockwise. **Fig. A.**
- Look at the area on the Drain Body where the Cable was attached and locate the component labeled as “Cam” and “Cam Cap” in the illustration. **Fig. B.**
- Use fingers or small screwdriver under either side of the Cam Cap to pry it out from the Drain. **Fig. D.**
- Remove the Cam by pulling it straight out while wiggling gently to loosen the Rubber Seal. **Fig. E.**
- The Stopper can now be removed by lifting it out of the Drain. **Fig. F.**



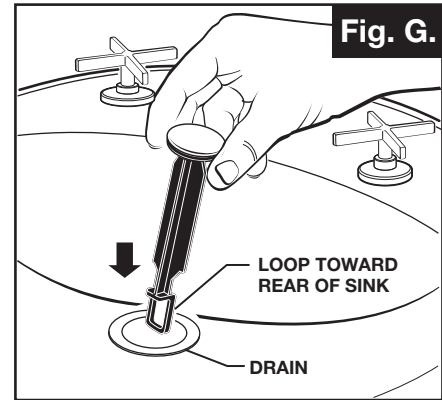


## STOPPER INSTALLATION PROCEDURE

The Stopper can be installed two ways, “Locked” Mode (Stopper cannot be removed) or “Unlock” Mode (Stopper is removable).

### LOCKED MODE:

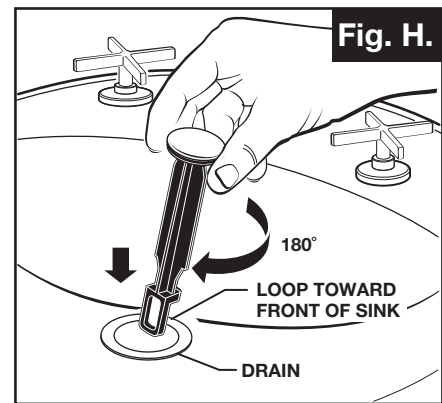
- Look at the Plastic Loop at the bottom of the Stopper and notice that the Loop is on one side of the Stopper. **Fig. G.**
- To install the stopper in “Locked” mode, insert the Stopper into the Drain so that the Plastic Loop is facing toward the **rear** of the Sink. Rotate Stopper slightly if necessary so that the Stopper slides all the way down. **Fig. G.**
- Re-install the Cam into the Drain, rotating the Cam if necessary to make sure it is fully inserted. **Fig. J.**
- Re-install the Cam Cap, making sure the guide teeth are facing outward. If the Cam Cap does not “snap” into place, then rotate the Cam to make sure it is fully inserted. **Fig. K.**
- Re-attach Cable. See “CABLE ADJUSTMENT PROCEDURE” in Troubling Shooting Guide to complete installation. Stopper will be in “Locked” mode and not be removable.



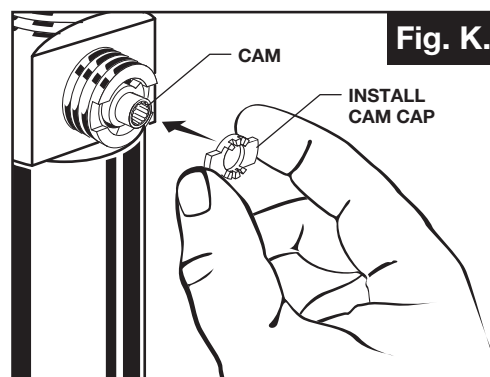
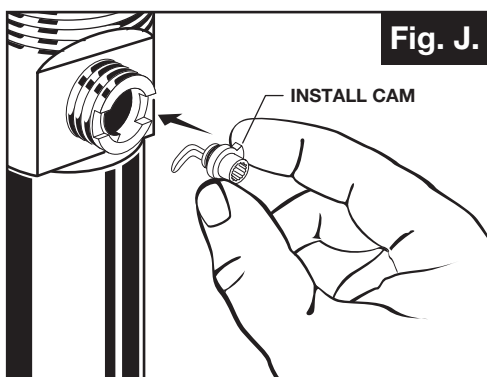
**Locked Mode  
(Vandal Proof)**

### UNLOCKED MODE:

- Look at the Plastic Loop at the bottom of the Stopper and notice that the Loop is on one side of the Stopper. **Fig. H.**
- To install the stopper in “Unlocked” mode, insert the Stopper into the Drain so that the Plastic Loop is facing toward the **front** of the Sink. Rotate Stopper slightly if necessary so that the Stopper slides all the way down. **Fig. H.**
- Re-install the Cam into the Drain, rotating the Cam if necessary to make sure it is fully inserted. **Fig. J.**
- Re-install the Cam Cap, making sure the guide teeth are facing outward. If the Cam Cap does not “snap” into place, then rotate the Cam to make sure it is fully inserted. **Fig. K.**
- Re-attach Cable. See “CABLE ADJUSTMENT PROCEDURE” in “Troublingshooting Guide” to complete installation. Stopper will be in “Unlocked” mode and removable.



**Unlocked Mode**





# Percy® Widespread Lavatory Faucets

MODEL NUMBERS

Tri-Spoke Handle  
**D35105870**

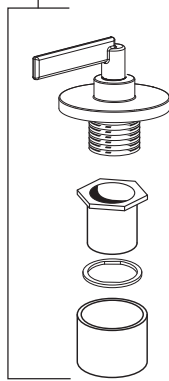
Cross Handle  
**D35105840 / D35105840RB**

Cylinder Handle  
**D35105800 / D35105800RB**

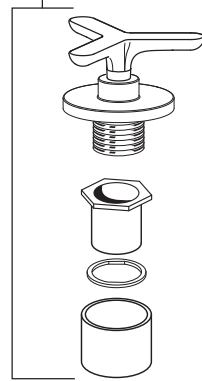
Replace the "YYY" with appropriate finish code

POLISHED CHROME	100
BRUSHED NICKEL	144

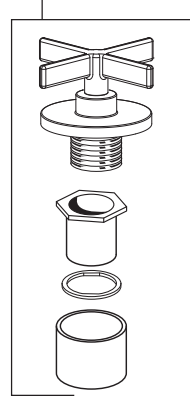
**M964630-YYY0A**  
CYLINDER HANDLE  
ASSEMBLY



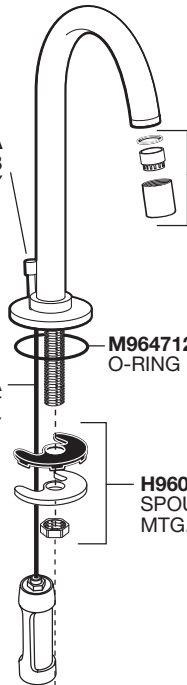
**M970437-YYY0A**  
TRI-SPOKE HANDLE  
ASSEMBLY



**M964629-YYY0A**  
CROSS HANDLE  
ASSEMBLY



**M964751-YYY0A**  
LIFT KNOB  
ASSEMBLY



**M964752-YYY0A**  
AERATOR ASSEMBLY

**M964712-0070A**  
O-RING

**M952430-0070A**  
SPEED CONNECT  
CABLE ASSEMBLY

**H960295.191**  
SPOUT  
MTG. KIT

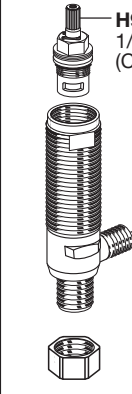
**H960136.191**  
1/2" CARTRIDGE  
(CLOCKWISE ON)

**H960742.191**  
1/2" SIDE VALVE  
(CLOCKWISE ON)

**H960279.191**  
MOUNTING KIT

**M953006-0070A**  
TEE & HOSE ASSEMBLY

**H960104.191**  
1/2" CARTRIDGE  
(COUNTER-CLOCKWISE ON)



**H960741.191**  
1/2" SIDE VALVE  
(COUNTER-CLOCKWISE ON)

**874214.XXX**  
DRAIN ASSEMBLY

