

INSTALLATION INSTRUCTIONS



Pop™ Undercounter Sinks

Petite Oval - model #D20115

Petite Rectangular - model #D20110

Petite Round - model #D20120

Petite Square - model #D20105

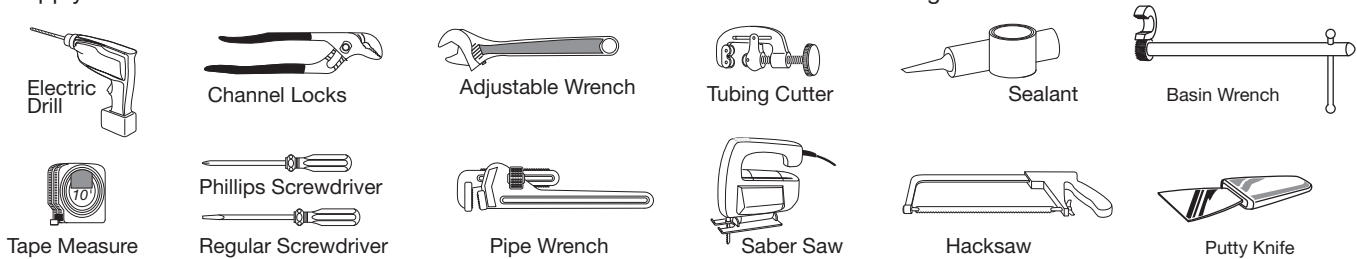
Thank you for selecting DXV. To ensure this product is installed properly, please read these instructions carefully before you begin. (Certain installations may require professional help.) Also be sure your installation conforms to local codes.

⚠ CAUTION: PRODUCT IS FRAGILE. TO AVOID BREAKAGE AND POSSIBLE INJURY HANDLE WITH CARE!

NOTE: Pictures may not exactly define contour of china and components.

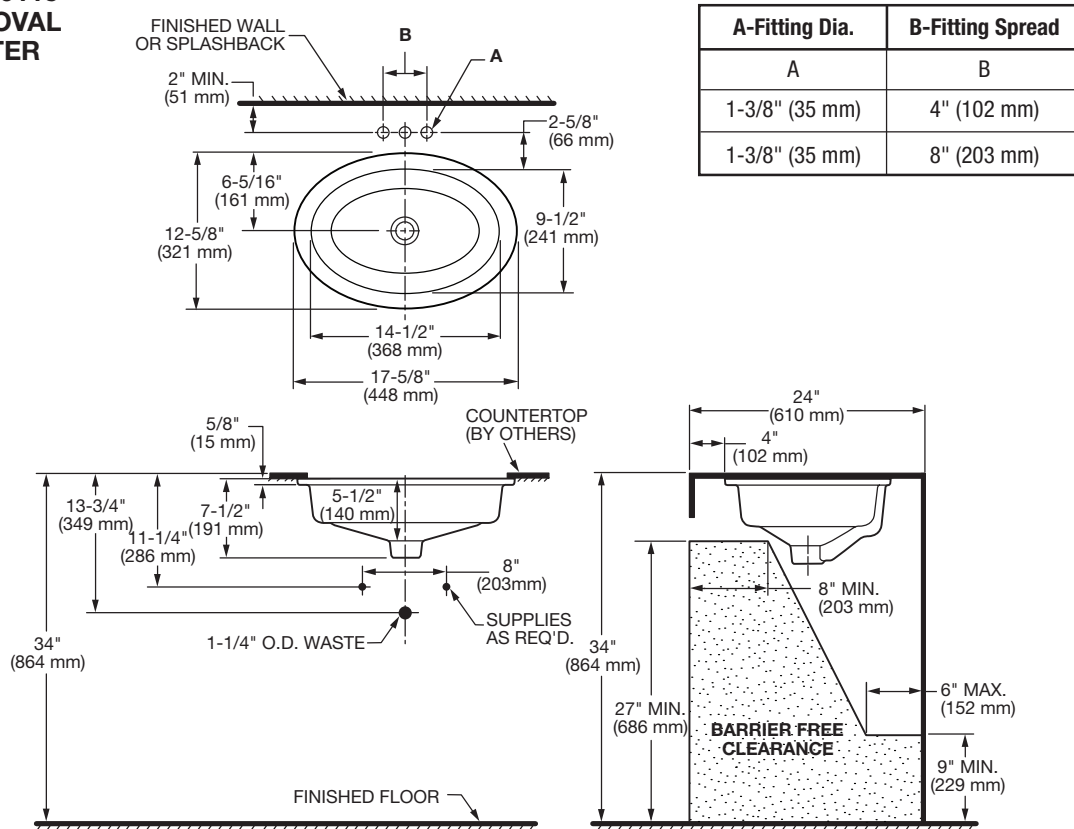
RECOMMENDED TOOLS AND MATERIALS

Most of the procedures require the use of common tools and materials, which are available from hardware and plumbing supply stores. It is essential that the tools and materials be on hand before work is begun.



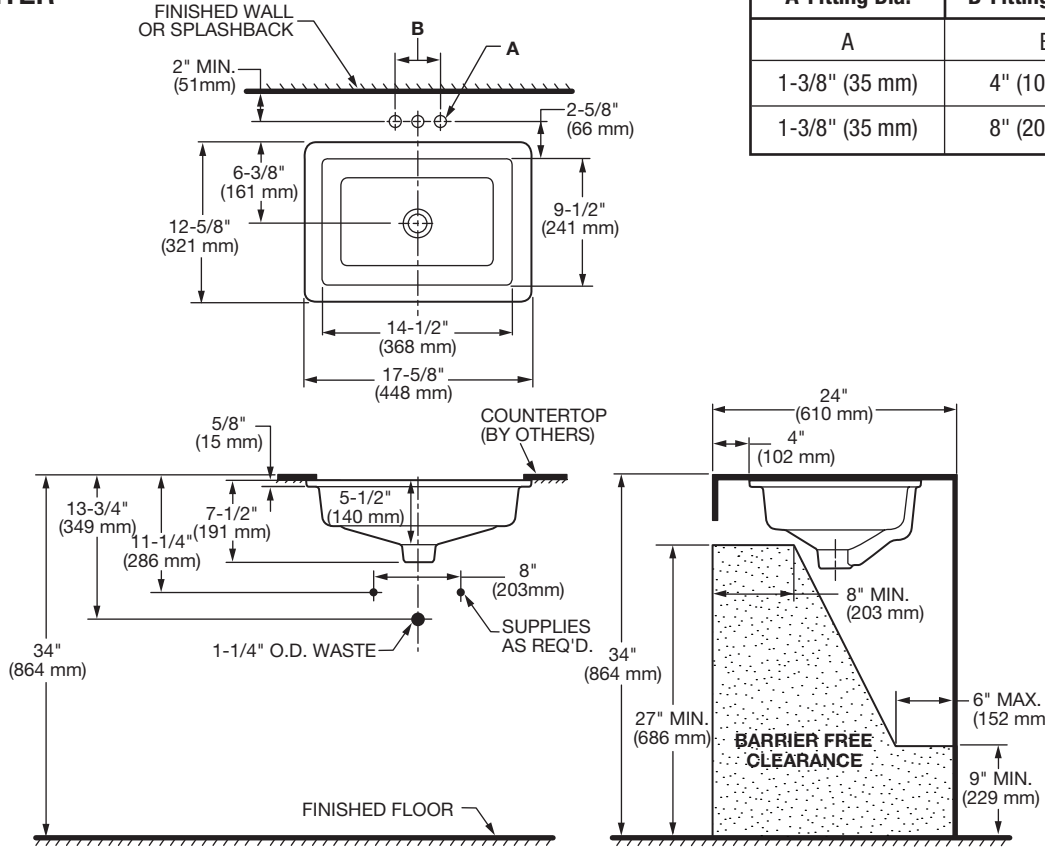
NOTE: More specialized tools may be necessary to install this sink to countertop materials other than wood or wood composites.

ROUGH-IN: D20115 POP™ PETITE OVAL UNDERCOUNTER LAVATORY



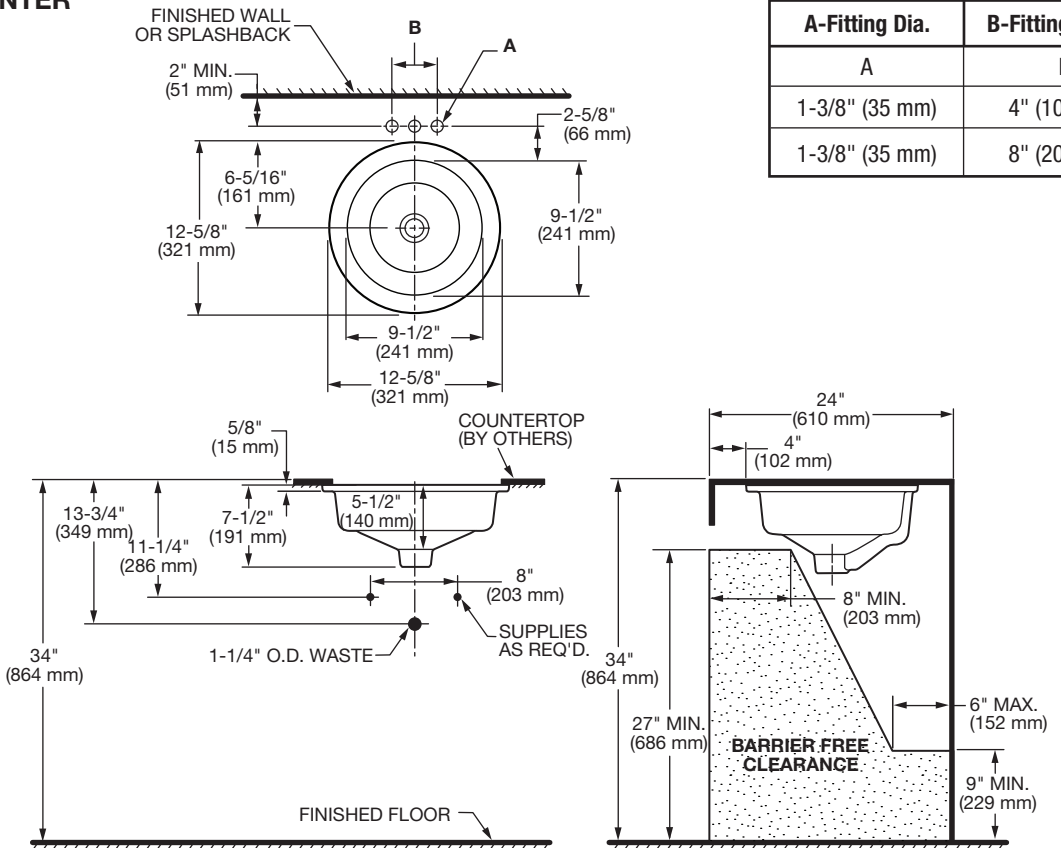
SAVE FOR FUTURE USE

**ROUGH-IN: D20110
POP™ PETITE RECTANGULAR
UNDERCOUNTER
LAVATORY**



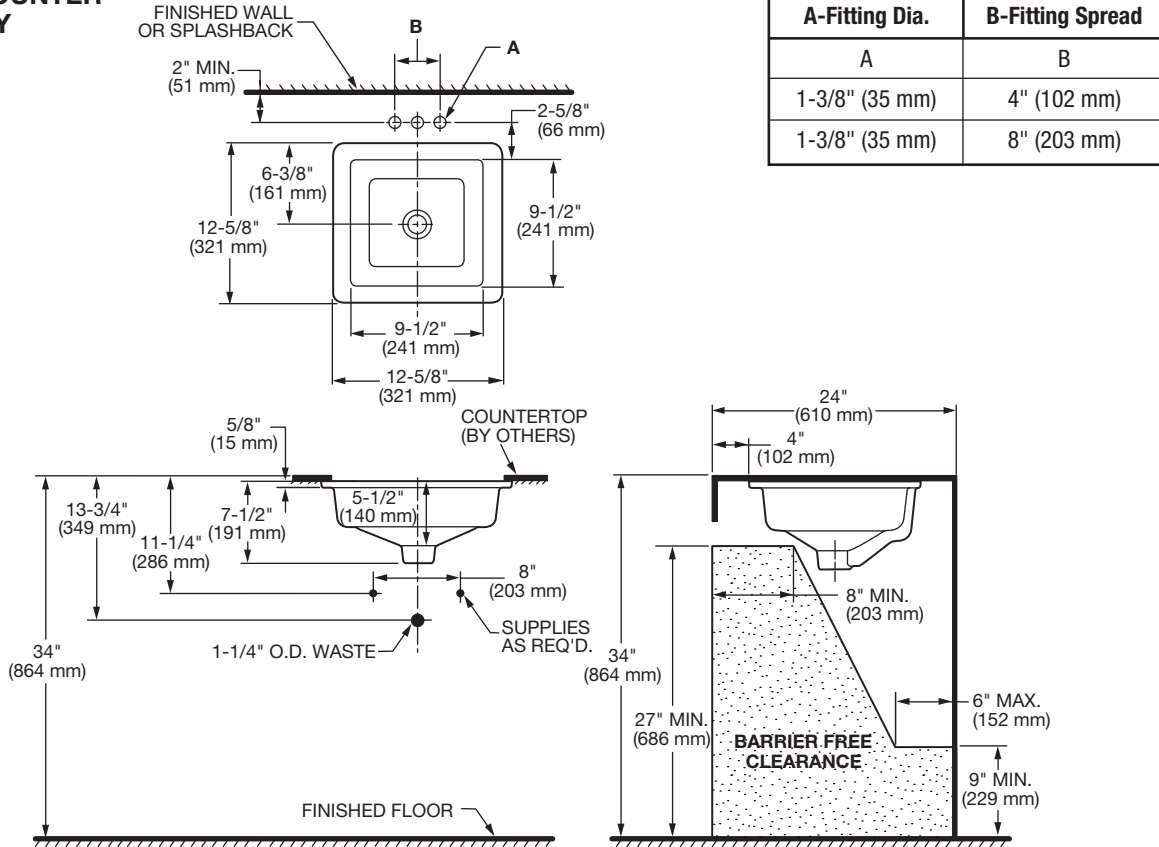
A-Fitting Dia.	B-Fitting Spread
A	B
1-3/8" (35 mm)	4" (102 mm)
1-3/8" (35 mm)	8" (203 mm)

**ROUGH-IN: D20120
POP PETITE ROUND
UNDERCOUNTER
LAVATORY**



A-Fitting Dia.	B-Fitting Spread
A	B
1-3/8" (35 mm)	4" (102 mm)
1-3/8" (35 mm)	8" (203 mm)

**ROUGH-IN: D20105
POP™ PETITE SQUARE
UNDERCOUNTER
LAVATORY**

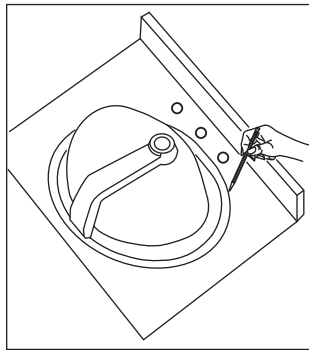


1

NOTE: To avoid damage to countertop, install sink such that future removal from underneath the countertop is possible.

First, make sure the clearance between the backsplash, faucet, fixtures and cabinets are acceptable for the new sink.

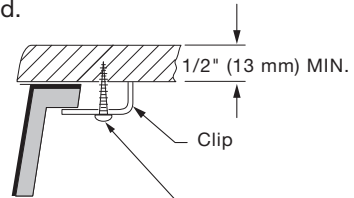
For ADA compliance, all models must be installed with the overflow in the rear.



3

FOR WOOD COUNTERTOP

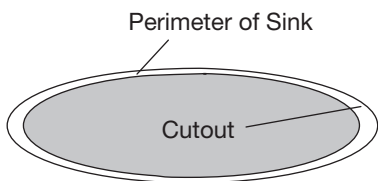
Mark and pre-drill the wood screw holes as located on the enclosed template. Waterproof any exposed areas of wood.



Drill 1/8" (3 mm) dia. X 3/8" (10mm) deep #10 Wood Screw

2

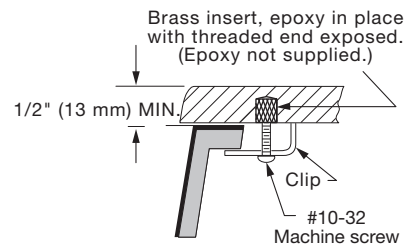
Carefully cut out the enclosed template, then position and trace the template on the countertop as shown on the template. Make a mark of the faucet hole centerline on the countertop. Drill a 1/2" pilot hole on the inside of the cut line. Use a saber saw or a keyhole saw to cut out the countertop opening.



4

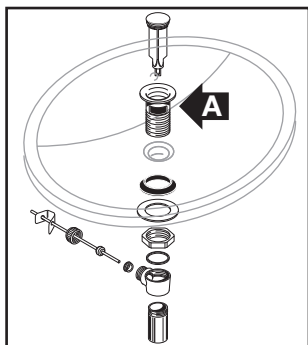
FOR MARBLE OR SOLID SURFACE COUNTERTOP

To protect countertop, place it on a foam padding and drill 3/8" (10 mm) Dia. X 1/2" (13 mm) deep hole as per location shown on template.



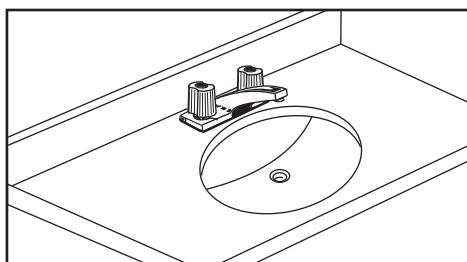
5

Mount the drain assembly (not included) on the sink, following faucet manufacturer's instructions. Be certain to apply a bead of sealing putty on the underside of the drain (Part "A") in order to ensure a watertight seal between the sink and drain. Remove excess putty after installing drain on sink.



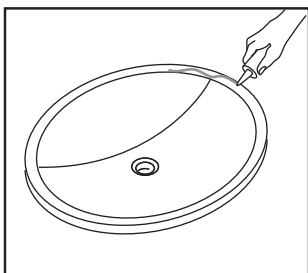
8

Install faucet (not included) and countertop (not included) following manufacturers instructions.



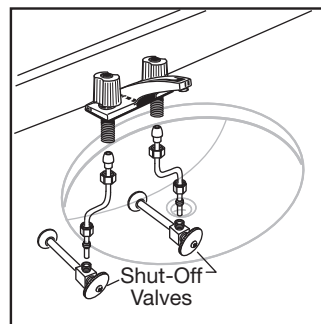
6

After checking fit and alignment of sink to cut out, apply a bead of silicone adhesive to rim of sink. The use of other compounds is not recommended.



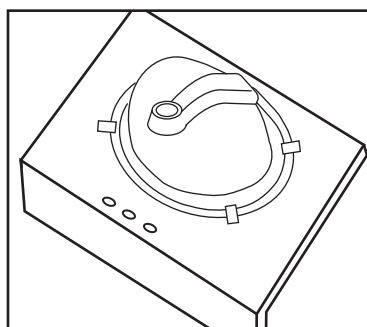
9

Connect supply line to faucet (finger tight) and carefully bend tubes to engage with the supply shut-off valves. Tighten connections at faucet and shut-off valves for water tight seal.



7

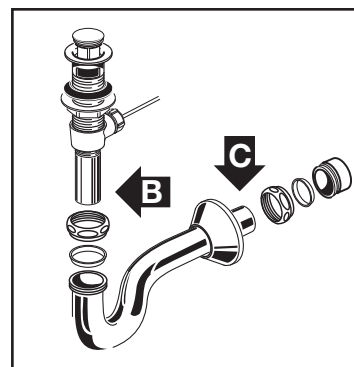
Center bowl over cutout and tighten screws (see 3 or 4) to secure bowl to countertop. Remove excess sealant from inside lip.



NOTE: The screws provided should be used on countertops with a minimum 1" (25 mm) thickness. For thinner countertops, use appropriate anchors and fasteners.

10

Connect trap to drain assembly hand tight to check alignment. It may be necessary to cut off part of the tailpiece (area "B") or part of the horizontal leg of the trap (area "C"). Secure joints for watertight assembly.



PARTS

PART NUMBER	PART
7302054-100.0070A	Mounting Kit

In the United States:

DXV
One Centennial Avenue
Piscataway, New Jersey 08855
Attention: Director of Customer Care

For residents of the United States, warranty information may also be obtained by calling the following toll free number: (800) 227-2734
www.DXV.com

In Canada:

DXV
5900 Avebury Road
Mississauga, Ontario
L5R 3M3
Canada

Toll Free: 1-800-387-0369
Local: 905-306-1093
Fax: 1-800-395-1498

In Mexico:

DXV
Via Morelos 330
Col. Santa Clara Coatitla
Ecatepec, Estado de México 55540

Toll Free: 01-800-8391200
www.DXV.mx