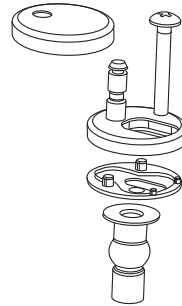


# INSTALLATION INSTRUCTIONS



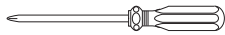
## Toilet Seat- Top Mount



Thank you for selecting DXV. To ensure this product is installed properly, please read these instructions carefully before you begin. (Certain installations may require professional help.) Also be sure your installation conforms to local codes.

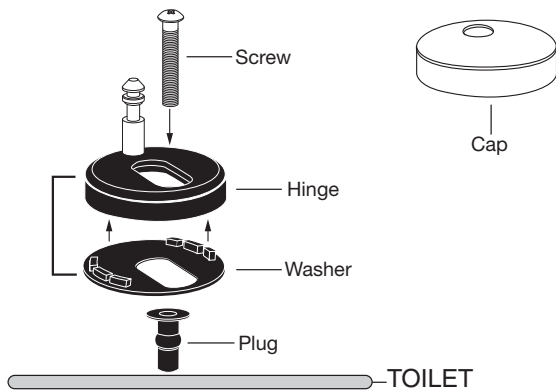
### RECOMMENDED TOOLS AND MATERIALS

Most of the procedures require the use of common tools and materials, which are available from hardware and plumbing supply stores. It is essential that the tools and materials be on hand before work is begun.

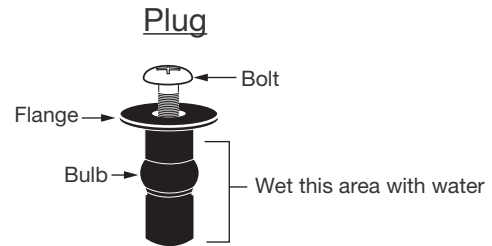


Phillips Screwdriver

1

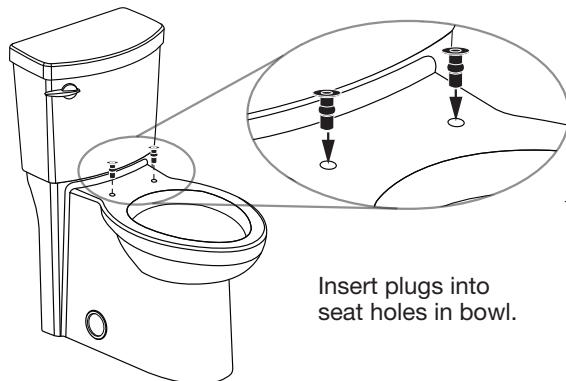


2



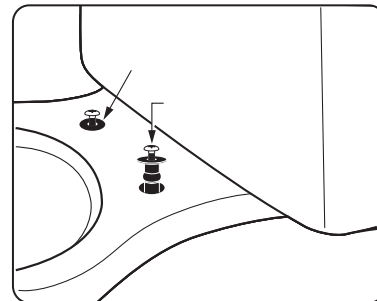
For ease of installation of black rubber plugs, insert steel bolt (capture a few threads), and wet the lower area with some water (soapy water works best).

3



Insert plugs into seat holes in bowl.

4



**NOTE: FLANGE MUST REMAIN ABOVE THE SURFACE. DO NOT ALLOW GROMMET TO FALL THROUGH!**

**In the United States:**  
DXV

**In Canada:**  
DXV  
5900 Avebury Road  
Mississauga, Ontario  
L5R 3M3  
Canada

Toll Free: 1-800-387-0369  
Local: 905-306-1093  
Fax: 1-800-395-1498  
www.DXV.ca

**In Mexico:**  
DXV  
Via Morelos 330  
Col. Santa Clara Coatlilla  
Ecatepec, Estado de México 55540

Toll Free: 01-800-8391200  
www.DXV.mx

SAVE FOR FUTURE USE