

**Hillsdale™ 33 x 22 Stainless Steel
Kitchen Sink Kit**

- 20SB.332211B.075** Single Bowl Sink
Kit includes:
- Single bowl sink
 - Installation instructions and cutout template
 - Top mount installation hardware

- Stainless Steel Sink**
- Single Bowl
 - 20 Gauge Stainless Steel
 - 18-10 Chrome Nickel content
 - Dual mount installation
 - 36" (914 mm) cabinet required
 - Limited Lifetime Warranty

Nominal Dimensions:

33" x 22" x 9"
(838 x 559 x 229 mm)

Bowl Size:

29-9/16" (751 mm) wide
18-9/16" (472 mm) front to back at widest point
9" (229 mm) deep

**Compliance Certifications - Meets or Exceeds
the Following Specifications:**

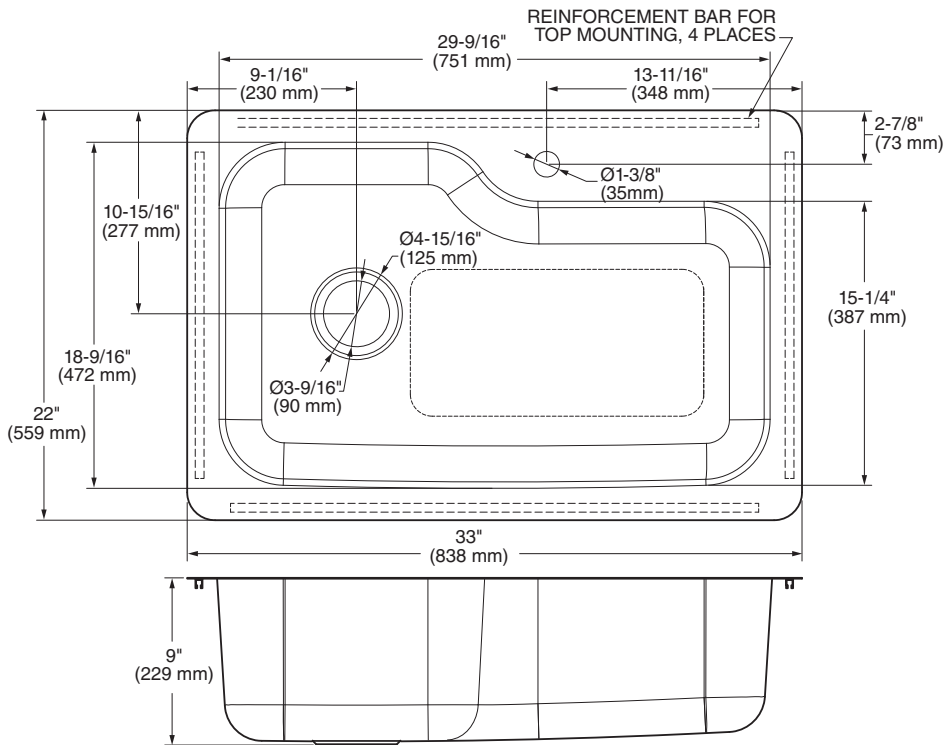
- **SINK:**
ASME A112.19.3/CSA B45.4



SEE REVERSE FOR ROUGHING-IN DIMENSIONS
AND PRODUCT SPECIFICATIONS

Suggested Specifications:

- Color: Stainless Steel .075
- Faucet Finish: Stainless Steel .075
- Waste Fitting Finish: Stainless Steel .075
- Supplies: 1/2" (13 mm) IPS Inlets



NOTES:
 WE RECOMMEND USING BASIN AS A TEMPLATE TO DETERMINE PROPER CONTOUR. CUT COUNTERTOP 38MM (1-1/2") INSIDE BASIN CONTOUR.
 * DIMENSIONS SHOWN FOR LOCATION OF SUPPLIED AND "P" TRAP ARE SUGGESTED.
 SEALING COMPOUND SUPPLIED BY OTHERS.

IMPORTANT: Dimensions of fixtures are nominal and may vary within the range of tolerances established by ANSI Standard A112.19.3. These measurements are subject to change or cancellation. No responsibility is assumed for use of superseded or voided pages.