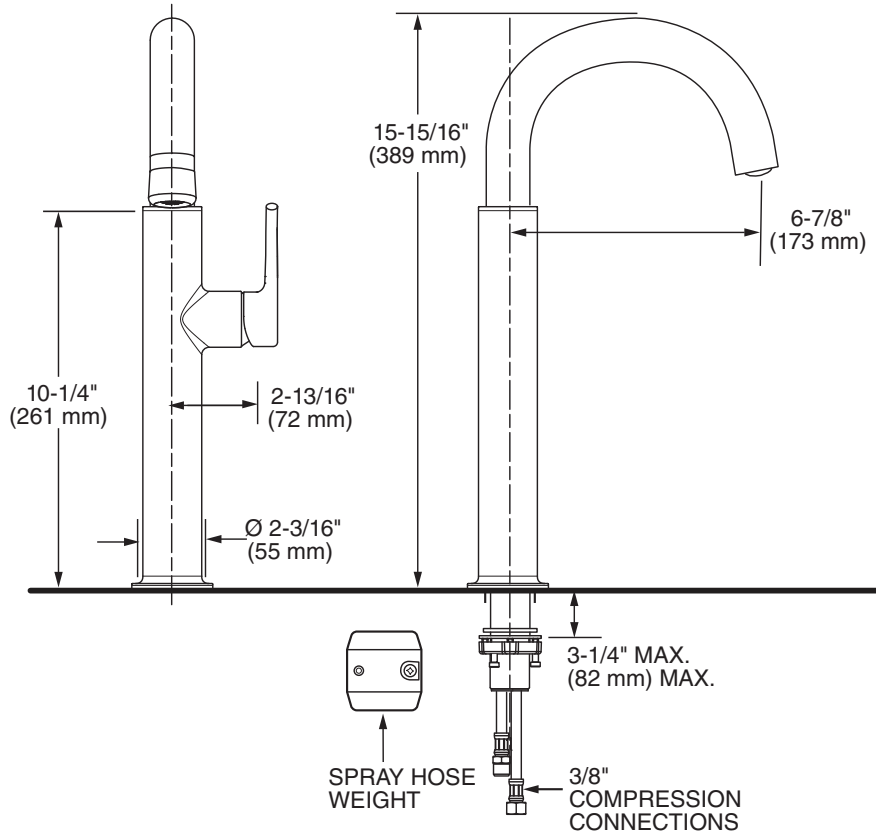


MODEL NUMBER:

□ **4803410 Pull-Down Bar Faucet**

Stainless Steel, Chrome, & Matte Black Finish.



GENERAL DESCRIPTION:

Whether at home in a center island, entertaining area, or cozy kitchen, the Studio S Pull-Down Bar Faucet from American Standard is the ideal combination of presence and performance. Contemporary cylinder profile features a single-function aerated spray head with smooth retraction. Unique raised valve with one-piece lever handle provides drip-free performance and adds special distinction in any setting.

PRODUCT FEATURES:

- Contemporary profile is the perfect height for prep sinks and smaller kitchens
- Wipe-clean, one-piece lever handle eliminates tiny crevices where build-up hides
- Re-Trax feature ensures smooth retraction of spray head after use
- Swivel spout rotates 360° for optimal reach and range of motion in and around the sink
- Drip-free performance with high quality ceramic disc valve
- Durable brass and metal construction
- Pre-installed braided nylon supply lines
- Limited lifetime warranty
- 1.5 gpm (5.7 L/min)

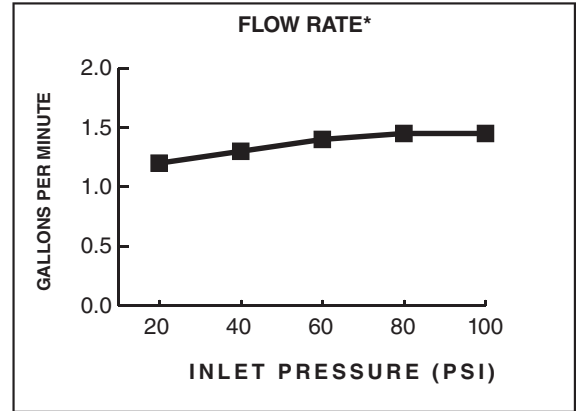
SUGGESTED SPECIFICATION

Single control pull-down bar faucet shall feature a high arc metal swivel spout and metal lever handle. Shall also feature 28 mm washerless ceramic disc valve cartridge and 38" flexible supply hoses. Faucet shall include Re-Trax Retraction System. Faucet shall be American Standard Model # 4803410._____.

CODES AND STANDARDS

These products meet or exceed the following codes and standards:

- ANSI A117.1**
- ASME A112.18.1**
- CSA B125.1**
- NSF/ANSI/CAN 61: Q<1**
- NSF/ANSI/CAN 372**



Product Number	Description	Finish Options			
		Polished Chrome	Stainless Steel	Matte Black	Brushed Cool Sunrise
		002	075	243	GN0
4803410	Pull-Down Bar faucet Faucet featuring Re-Trax™ technology. Soap dispenser and deckplate not included. CEC	✓	✓	✓	✓

ADA Meets the American Disabilities Act Guidelines **ANSI A117.1** Requirements for the physically challenged.