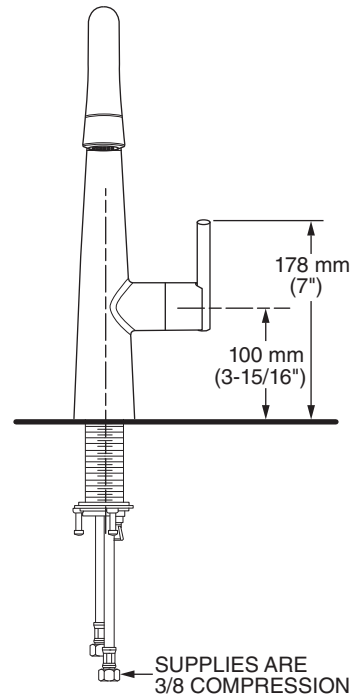
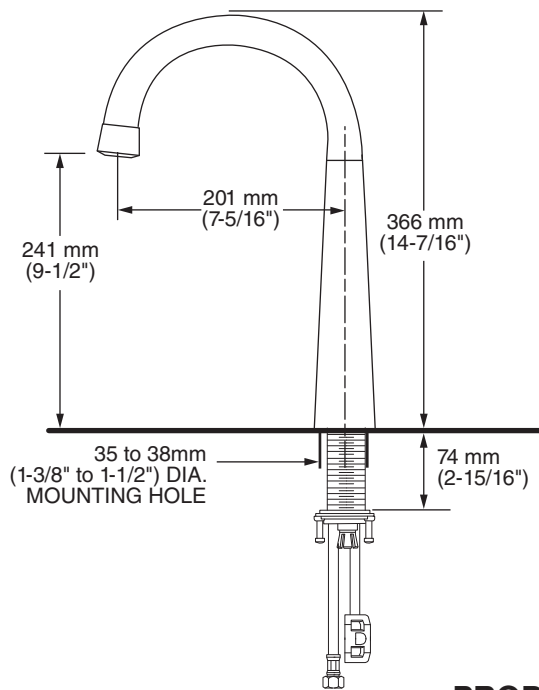




MODEL NUMBER:

☐ 4932.410 Pull-Down Bar Faucet



GENERAL DESCRIPTION:

Metal body and two-part ADA metal lever handle. Brass swivel spout with single function pull-down spray. Washerless 35 mm ceramic disc valve cartridge. Braided flexible Stainless Steel supply hoses with 3/8" compression connections. Metal mounting shank with brass fixation ring. Complete with two integral check valves. 1.5 gpm/5.7 L/min, maximum flow rate. Fitting can be mounted with or without escutcheon plate (sold separately).

PRODUCT FEATURES:

- Re-Trax™ spray head retraction system:** Spray hose technology system to ensure smooth pull-out, operation, and retraction of spray head.
- Ceramic Disc Valve Cartridge:** Assures smooth, precise valve control and a lifetime of drip-free, maintenance-free performance.
- Lead Free:** Faucet contains ≤ 0.25% total lead content by weighted average.
- Integral Check Valves:** Prevents back flow.

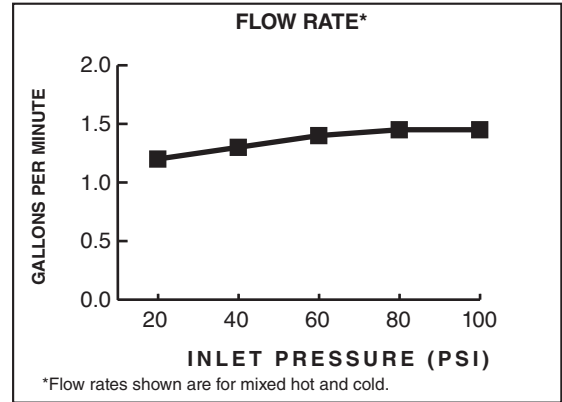
SUGGESTED SPECIFICATION:

Single control bar pull-down faucet shall feature a brass swivel spout with pull-down spray including two check valves, metal body and handle. Shall also feature washerless ceramic disc valve cartridge and flexible Stainless Steel supply hoses. Faucet shall be American Standard Model # 4932.410._____.

CODES AND STANDARDS

These products meet or exceed the following codes and standards:

- ANSI A117.1**
- ASME A112.18.1**
- CSA B125.1**
- NSF 61/Section 9**
- NSF 372**



1.5 gpm/5.7 L/min. FLOW RATE

Product Number	Description	Finish Options	
		Polished Chrome	PVD Stainless Steel
		002	075
4932.410	Edgewater Pull-Down Bar Faucet.		

 Meets the American Disabilities Act Guidelines and **ANSI A117.1** Requirements for the physically challenged.