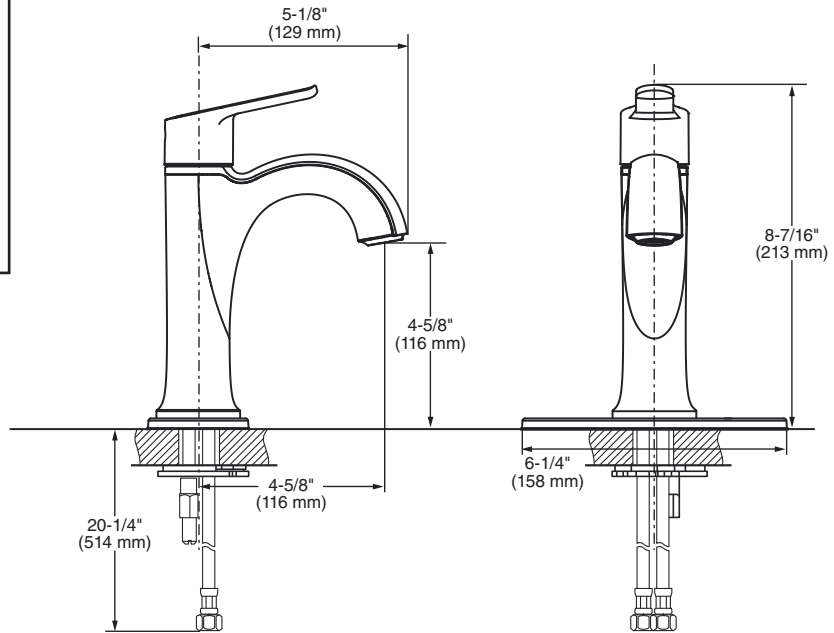


MODEL NUMBER:

- ❑ 7428101.002 Chrome finish.
- ❑ 7428101.295 Brushed Nickel finish.
- ❑ 7428101.243 Matte Black finish.



Easy Install Push Drain

*EASY TO INSTALL, OPERATE
AND REMOVE CLOGS*



Reliable For Life



Beautiful & Tough

*TARNISH, SCRATCH AND
CORROSION RESISTANT FINISH*



Reliable For Life



Supply Lines Included



Reliable For Life

Effortless elegance, leading-edge style and thoughtful innovation combine to make American Standard faucets and accessories the perfect choice for those who are unwilling to sacrifice style for performance.

GENERAL DESCRIPTION:

Single lever faucet on 4" centers. 1-1/8" (28 mm) ceramic disc valve cartridge. Durable non-metal water ways. Metal body and metal lever handle. Drain body with 1-1/4 inch (32 mm) tail piece. 1.2 gpm/4.5 L/min. maximum flow rate.

PRODUCT FEATURES:

Easy Install Push Drain: Easy to install, operate and remove clogs

Metal Construction: Built for durability and dependability

Ceramic Disc Valve Cartridges: Lifetime of drip-free performance

Limited Lifetime Warranty: Reliable function, lustrous finish for life

WaterSense Certified: Saves water without sacrificing performance

Choice of Finishes: Chrome, Brushed Nickel, or Matte Black

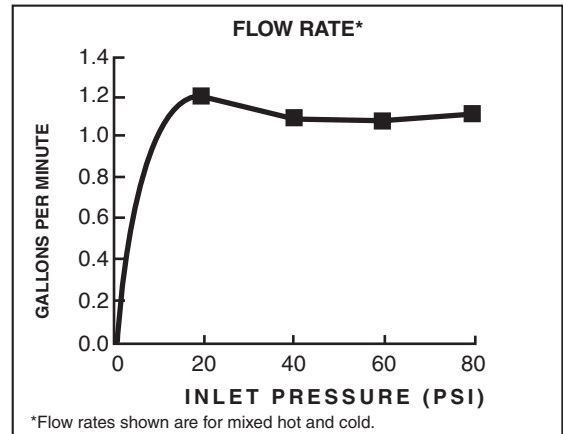
SUGGESTED SPECIFICATION

1-Handle 4" lavatory faucet shall feature metal spout. Shall also feature 1/4 turn washerless ceramic disc valve cartridge. Shall also feature a non-metal Easy Install Push Drain body. Fitting shall be American Standard Model # 7428101.002, 7428101.295, 7428101.243.


CODES AND STANDARDS

These products meet or exceed the following codes and standards:

- ANSI A117.1**
- ASME A112.18.1**
- CSA B125.1**
- NSF/ANSI/CAN 61: Q≤1**
- NSF/ANSI 372**



Product Number	Description
7428101.002	1-Handle 4" lavatory faucet. Metal lever handle. Pop-up drain. Chrome finish.
7428101.295	1-Handle 4" lavatory faucet. Metal lever handle. Pop-up drain. Brushed Nickel finish.
7428101.243	1-Handle 4" lavatory faucet. Metal lever handle. Pop-up drain. Matte Black finish.

 Meets the American Disabilities Act Guidelines
ANSI A117.1 Requirements for the physically challenged.