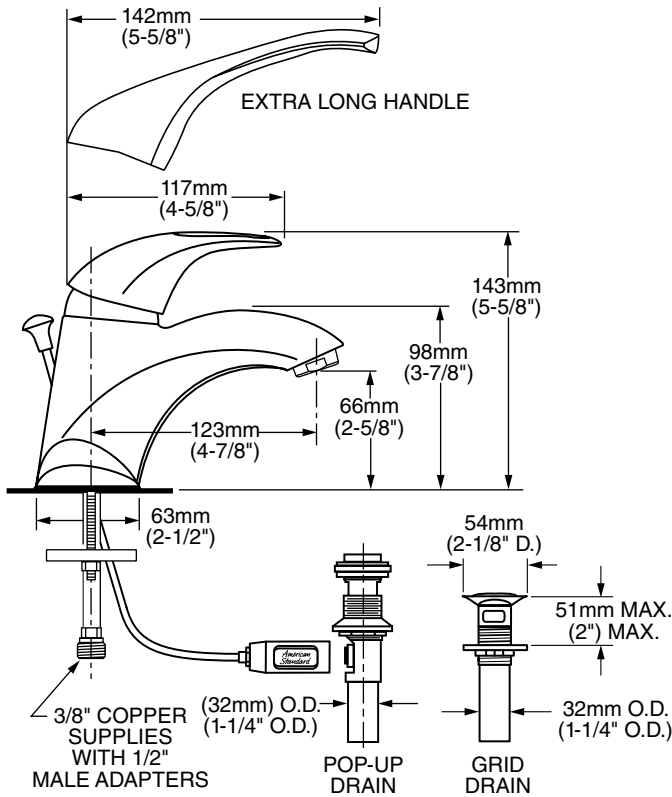
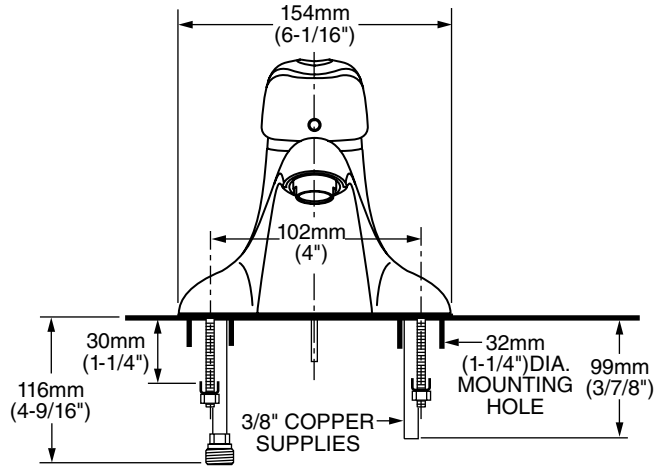


7385.040 Shown



**MODEL NUMBER:**

- 7385.040 Reliant 3 Single Control Centerset**  
Metal Lever Handle. Metal Speed Connect® pop-up drain. 3/8" copper supplies.
- 7385.043 Reliant 3 Single Control Centerset**  
Indexed Metal Lever Handle. Grid drain. Less pop-up hole.
- 7385.044 Reliant 3 Single Control Centerset**  
Same as above. Less drain. Less pop-up hole.
- 7385.045 Reliant 3 Single Control Centerset**  
Metal Lever Handle. Metal Speed Connect® pop-up drain. 3/8" copper supplies with 1/2" male adapters.
- 7385.046 Reliant 3 Single Control Centerset**  
Indexed Metal Lever Handle. Grid drain. Less pop-up hole.
- 7385.047 Reliant 3 Single Control Centerset**  
Same as above. Less drain. Less pop-up hole.



**PRODUCT FEATURES:**

**Cast Brass and copper waterway:** Strong and durable.  
**Ceramic Disc Valve Cartridge:** Assures smooth, precise valve control and a lifetime of drip-free, maintenance-free performance.

**Adjustable Hot Limit Safety Stop:** Limits the amount of hot water allowed to mix with cold. Reduces the risk of accidental scalding.

**Lead Free:** Faucet contains ≤ 0.25% total lead content by weighted average.

**Exclusive Speed Connect Metal Drain:**

- Fewer parts. Installs in less time.
- No adjustments required - seals the first time, every time.
- Flexible stainless steel cable - installs effortlessly in tight spaces.

**Choice of Finishes:** Available in Polished Chrome or Satin Nickel (PVD).

**GENERAL DESCRIPTION:**

All metal body with choice of Metal Lever or Indexed Metal Lever Handle. Washerless 47mm ceramic disc valve cartridge with integral hot limit safety stop. Durable cast brass waterway with copper supplies (available with or without 1/2" male adapters). 20" (500mm) long flexible stainless steel drain cable is pre-assembled to faucet body (on 7385.040/045). Metal Speed Connect® drain body (on 7385.040/045) with 1-1/4" (32mm) tail piece. 1.5 gpm/5.7L/min. maximum flow rate.

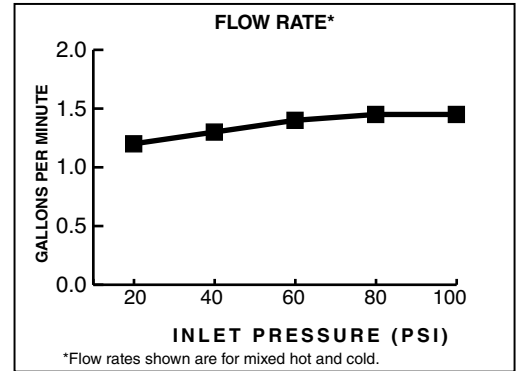
**SUGGESTED SPECIFICATION**

Single control lavatory fitting shall feature an all metal body with metal lever handle. Shall feature a cast brass and copper waterway. Shall also feature a washerless ceramic disc valve cartridge with integral hot limit safety stop. Shall also feature a metal drain body with stainless steel cable actuation. Fitting shall be American Standard Model # 7385.\_\_\_\_.\_\_\_\_.

### CODES AND STANDARDS

These products meet or exceed the following codes and standards:

**ANSI A117.1**  
**ASME A112.18.1**  
**CSA B 125**  
**NSF 61/Section 9 and Annex G**



Product Number	Description	Finish Options	
		Polished Chrome	PVD Satin Nickel
		002	295
7385.040	Reliant 3 Single Control Centerset. Metal Lever Handle. Metal Speed Connect® pop-up drain. 3/8" copper supplies.		
7385.043	Reliant 3 Single Control Centerset. Indexed Metal Lever Handle. Grid drain. Less pop-up hole.		
7385.044	Reliant 3 Single Control Centerset. Same as above. Less drain. Less pop-up hole.		
7385.045	Reliant 3 Single Control Centerset. Metal Lever Handle. Metal Speed Connect® pop-up drain. 3/8" copper supplies with 1/2" male adapters.		
7385.046	Reliant 3 Single Control Centerset. Indexed Metal Lever Handle. Grid drain. Less pop-up hole.		
7385.047	Reliant 3 Single Control Centerset. Same as above. Indexed Less drain. Less pop-up hole.		

Meets the American Disabilities Act Guidelines and **ANSI A117.1** Requirements for the physically challenged.

\*PCA — Pressure Compensating

\*\*To modify a product, add suffix after the 4th digit (ex. 2064**F05**101.002)

\*\*\*Modified product models are **NOT** WaterSense certified.

7385.040/045	7385.043/046	7385.044/047
<ul style="list-style-type: none"> <li>• Metal Lever Handle</li> <li>• Speed Connect metal drain</li> </ul>	<ul style="list-style-type: none"> <li>• Indexed (Red/Blue) metal lever handle</li> <li>• Less drain, less pop-up hole</li> </ul>	<ul style="list-style-type: none"> <li>• Indexed (Red/Blue) metal lever handle</li> <li>• Less drain, less pop-up hole</li> </ul>

Available Modifications***		Part Suffix**	Part Suffix**	Part Suffix**
Drain Options	Less Pop-up Drain; With Hole and Pop-up Rod	__XPR	—	—
Handle Options	Indexed Metal Lever Handle (Red/Blue)	__RB	<b>Included</b>	<b>Included</b>
	Long lever handle	__LH	__LH	__LH
Flow Control Options	0.5gpm (1.9Lpm) PCA* Spray	__F05	__F05	__F05
	Vandal-Resistant 1.5gpm/5.7L/min. PCA* Aerator	—	__V15	__V15
	1.0gpm (3.8Lpm) PCA Aerator	__F10	__F10	__F10
	Vandal-Resistant 1.0gpm (3.8Lpm) PCA Aerator	__V10	__V10	__V10
	Non-Aerated Vandal-Resistant 0.5gpm/1.9L/min. PCA Spray	—	__V05	__V05