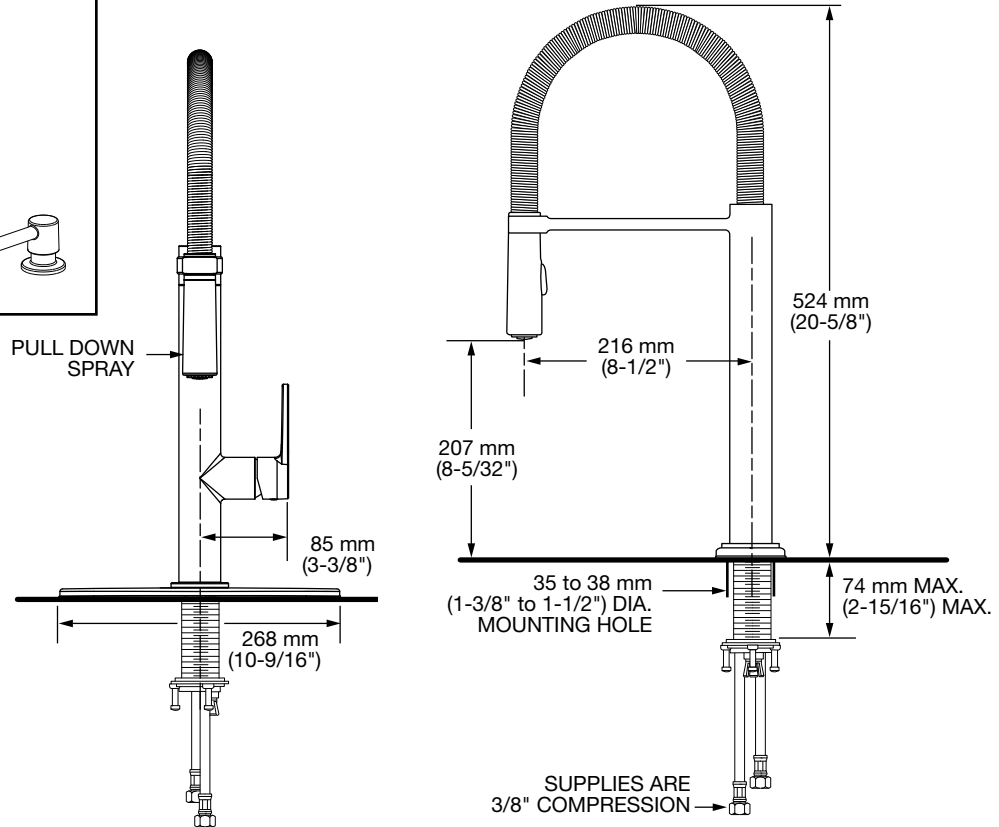


MODEL NUMBER:

- 7612350.075 1-Handle Semi-Pro Kitchen Faucet**
Stainless Steel finish.
- 7612350.243 1-Handle Semi-Pro Kitchen Faucet**
Matte Black Finish.



GENERAL DESCRIPTION:

Culinary spring spout with metal reinforced hose featuring a pull-down 2-function spray head including stream and spray.

Features Dock-Tite™ technology. Metal body with ADA metal lever handle. Washerless 35 mm ceramic disc valve cartridge. Braided 38" flexible supply hoses with 3/8" compression connections. Metal mounting shank with metal fixation ring. Complete with two integral check valves.

1.8 gpm / 6.8 L/min. maximum flow rate. Fitting can be mounted with or without included deckplate. Includes color-matched soap dispenser.

PRODUCT FEATURES:

Multi function spray head:

One-touch stream or spray functions

Dock-Tite Docking System:

Sprayhead magnetically docks and locks securely in place

Easy Clean Spray Nozzles:

Nozzle build-up easily wipes clean

Ceramic Disc Valve Cartridges:

Lifetime of drip-free performance

Metal Construction:

Built for durability and dependability

Optional Deckplate Included:

Fits 1, 2, 3 or 4 hole sinks or counters

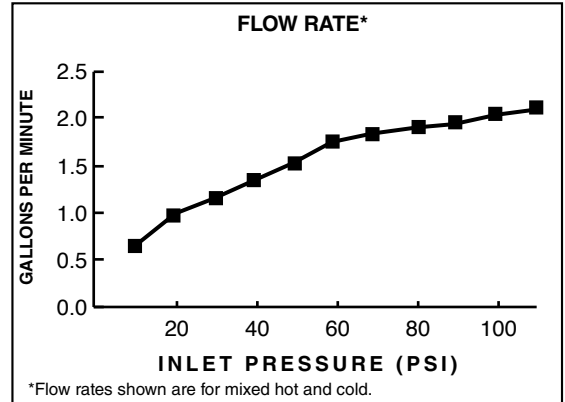
SUGGESTED SPECIFICATION

1-handle Semi-Pro Kitchen Faucet shall feature a culinary spring swivel spout, metal reinforced hose, body and handle. Shall also feature Dock-Tite™ technology, washerless ceramic disc valve cartridge and flexible supply hoses. Includes color-matched soap dispenser. Faucet shall be American Standard Model #7612350.075 and 7612350.243.

CODES AND STANDARDS


These products meet or exceed the following codes and standards:

- ANSI A117.1**
- ASME A112.18.1**
- CSA B125.1**
- NSF 61/Section 9**
- NSF 372**



1.8 gpm/6.8 L/min. FLOW RATE

Product Number	Description
7612350.075	1-handle Semi-Pro Kitchen Faucet featuring Dock-Tite technology. Includes color-matched soap dispenser and deckplate (installation is optional). Stainless Steel finish.
7612350.243	1-handle Semi-Pro Kitchen Faucet featuring Dock-Tite technology. Includes color-matched soap dispenser and deckplate (installation is optional). Matte Black finish.

 Meets the American Disabilities Act Guidelines
ANSI A117.1 Requirements for the physically challenged.