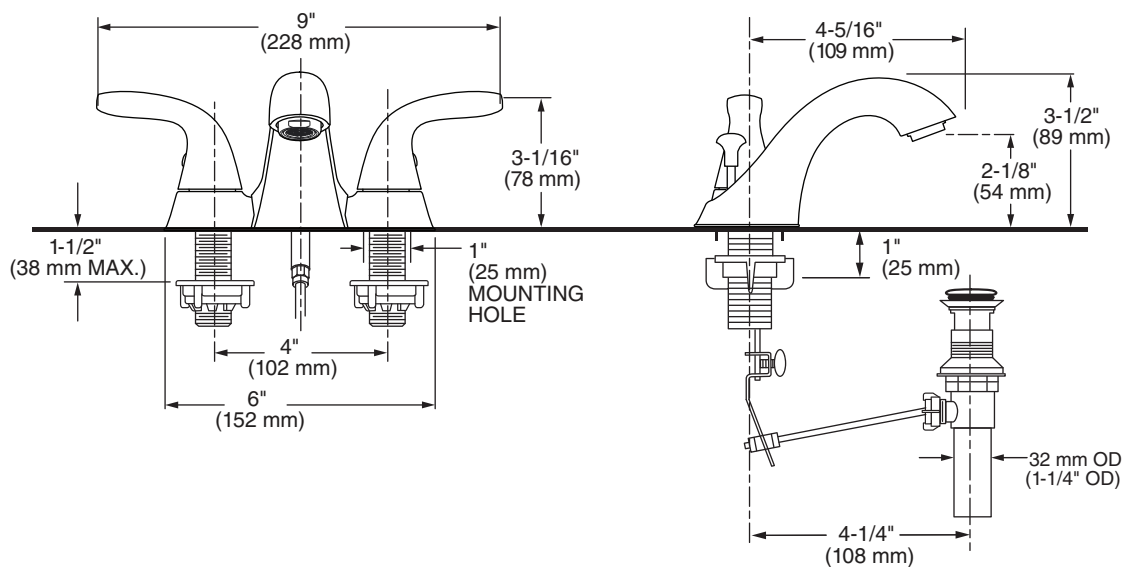


MODEL NUMBER:

- ❑ **9091201.002 Centerset Lavatory Faucet**
Pop-up drain. Metal lever handles. Polished Chrome finish.
- ❑ **9091201.295 Centerset Lavatory Faucet**
Pop-up drain. Metal lever handles. Brushed Nickel finish.



Beautiful & Tough
TARNISH, SCRATCH AND CORROSION RESISTANT FINISH

Reliable For Life

Guaranteed Not To Leak
CERAMIC DISC VALVE

Reliable For Life

Durable Solid Feel
METAL CONSTRUCTION

Reliable For Life

Effortless elegance, leading-edge style and thoughtful innovation combine to make American Standard faucets the perfect choice for those who are unwilling to sacrifice style for performance.

GENERAL DESCRIPTION:

Centerset lavatory faucet on 4" centers. 1/4 turn washerless ceramic disc valve cartridges. Durable non-metal water ways with one-half inch male inlet shanks. Metal body and metal lever handles. Drain body with 1-1/4 inch (32 mm) tail piece. 1.2 gpm/4.5 L/min. maximum flow rate.

PRODUCT FEATURES:

- Durable - Easy to clean.
 - Ceramic Disc Valve Cartridges: Assures a lifetime of smooth handle operation and drip-free performance.
- Lead Free: Faucet contains $\leq 0.25\%$ total lead content by weighted average.

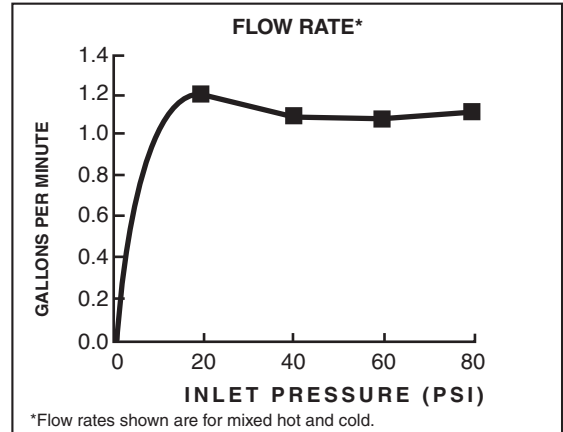
SUGGESTED SPECIFICATION

Dual control 4" centerset lavatory faucet shall feature a non-metal waterway. Shall also feature 1/4 turn washerless ceramic disc valve cartridges. Shall also feature a pop-up drain. Fitting shall be American Standard Model # 9091201.002. Model # 9091201.295.


CODES AND STANDARDS

These products meet or exceed the following codes and standards:

- ANSI A117.1**
- ASME A112.18.1**
- CSA B125**
- NSF 61/Section 9**
- NSF 372**



Product Number	Description
9091201.002	Centerset lavatory. Metal lever handles. Pop-up drain. Quick Spin™ Nuts. Polished Chrome finish.
9091201.295	Centerset lavatory. Metal lever handles. Pop-up drain. Quick Spin™ Nuts. Brushed Nickel finish.

 Meets the American Disabilities Act Guidelines
ANSI A117.1 Requirements for the physically challenged.