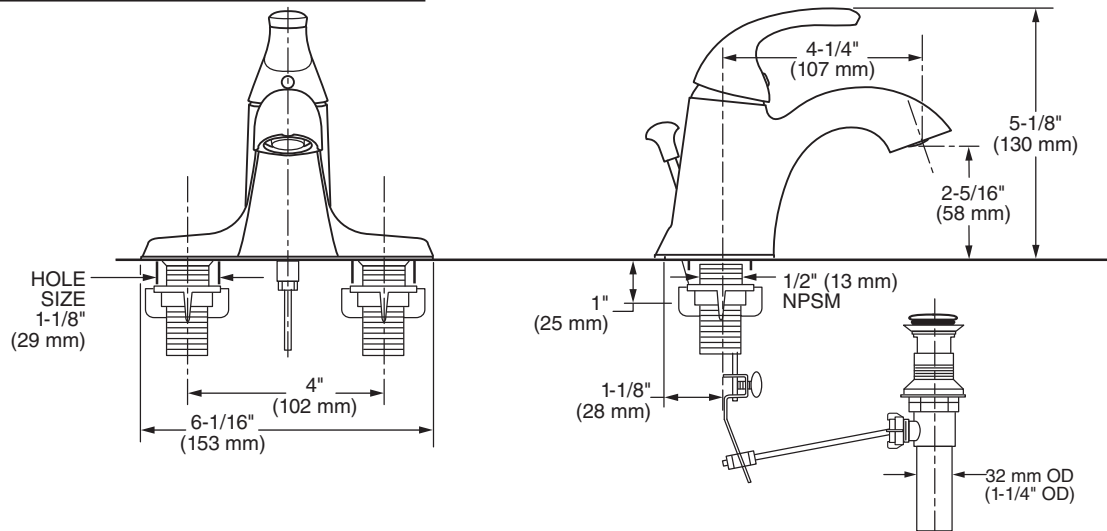


### MODEL NUMBER:

- ☐ **9091110.002 Centerset Lavatory Faucet**  
Pop-up drain. Metal lever handles. Polished Chrome finish.
- ☐ **9091110.295 Centerset Lavatory Faucet**  
Pop-up drain. Metal lever handles. Brushed Nickel finish.



### Beautiful & Tough

*TARNISH, SCRATCH AND  
CORROSION RESISTANT FINISH*

LIMITED  
LIFETIME  
WARRANTY

Reliable For Life



### Guaranteed Not To Leak

*CERAMIC DISC VALVE*

LIMITED  
LIFETIME  
WARRANTY

Reliable For Life



### Supply Lines Included

LIMITED  
LIFETIME  
WARRANTY

Reliable For Life

Effortless elegance, leading-edge style and thoughtful innovation combine to make American Standard faucets and accessories the perfect choice for those who are unwilling to sacrifice style for performance.

### GENERAL DESCRIPTION:

Centerset lavatory faucet on 4" centers. 1/4 turn washerless ceramic disc valve cartridge. Durable non-metal water ways. Metal body and metal lever handle. Drain body with 1-1/4 inch (32 mm) tail piece. 1.2 gpm/4.5 L/min. maximum flow rate.

### PRODUCT FEATURES:

- Durable - Easy to clean.
- Ceramic Disc Valve Cartridge: Assures a lifetime of smooth handle operation and drip-free performance.
- Supply lines included.
- Lead Free: Faucet contains  $\leq 0.25\%$  total lead content by weighted average.
- Choice of Finishes: Chrome, Brushed Nickel.

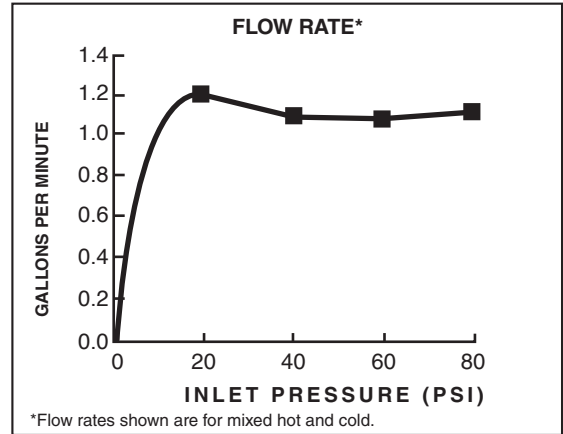
### SUGGESTED SPECIFICATION

Single control lavatory fitting shall feature a durable waterway with flexible inlet hoses and 1/2" male inlet shanks. Shall also feature washerless ceramic disc valve cartridge. Shall also feature a pop-up drain. Fitting shall be American Standard Model #9091110.002. Model #9091110.295.


**CODES AND STANDARDS**

These products meet or exceed the following codes and standards:

- ANSI A117.1**
- ASME A112.18.1**
- NSF 61/Section 9**
- CSA B 125**
- NSF 372**



Product Number	Description
9091110.002	Centerset lavatory. Metal lever handle. Pop-up drain. Quick Spin™ Nuts. Polished Chrome finish.
9091110.295	Centerset lavatory. Metal lever handle. Pop-up drain. Quick Spin™ Nuts. Brushed Nickel finish.

 Meets the American Disabilities Act Guidelines  
**ANSI A117.1** Requirements for the physically challenged.