



TROPE™

WIDESPREAD LAVATORY FAUCET



- Simple form is expanded to diverge waterway and effortlessly return to center
- Tailored transitional design with a deliberate twist
- Ceramic disc valve cartridges
- 8" centers
- 6"—12" flexible installation
- Lead Free—faucet contains $\leq 0.25\%$ total lead content by weighted volume
- Maximum flow rate: 1.2 gpm (4.5 L/min)

CODES AND STANDARDS

Meets or Exceeds ASME A112.18.1/
CSA B125.1/NSF 61/Section 9

EPA WaterSense® Certified

Certified Compliant with $\leq 0.25\%$ Weighted
Average Lead Content Regulations

CEC and CALGreen® Compliant



AVAILABLE FINISHES
Butler Finish

FINISH CODE
435

DESCRIPTION
Widespread Faucet
1.2 gpm (4.5 L/min)

PRODUCT NUMBER
D31202801.435

ROUGH-IN DIAGRAM
SHOWN ON NEXT PAGE

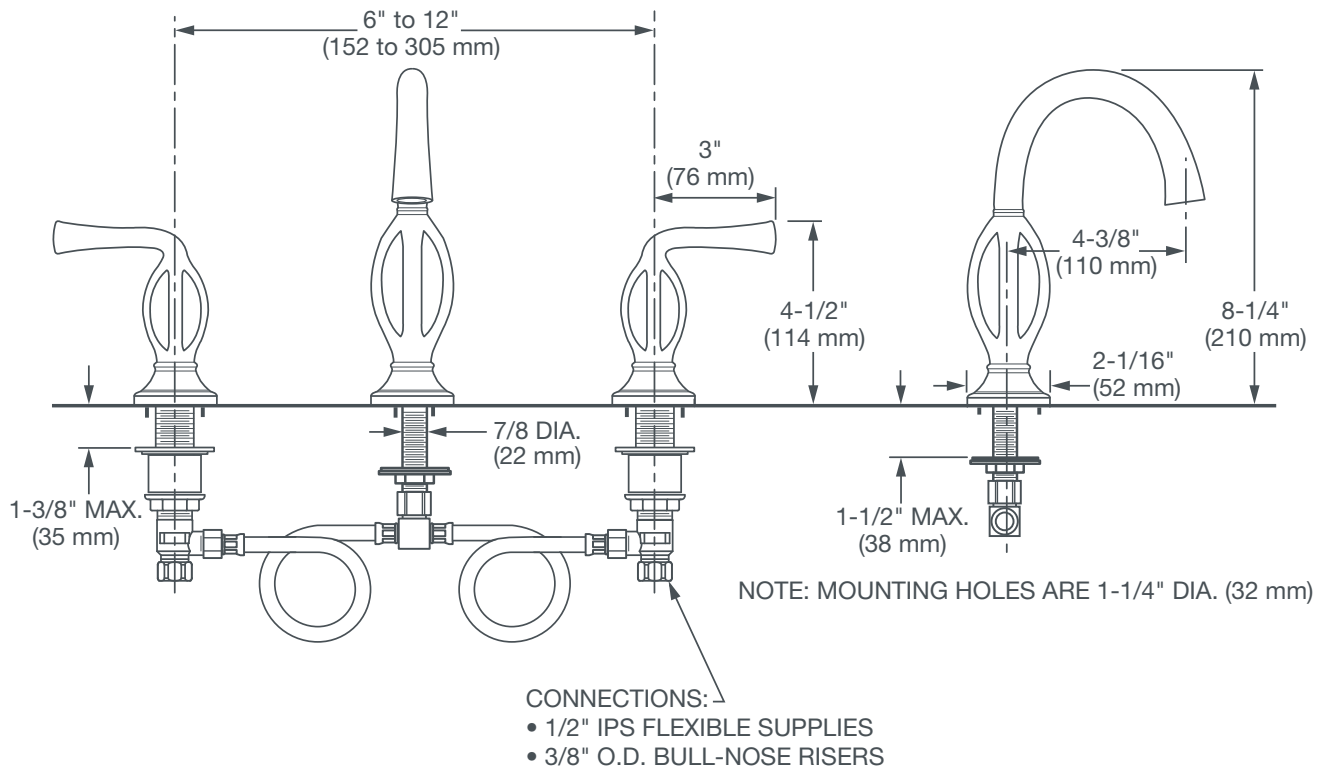
CALGreen® is a registered trademark of California Building Standards Commission.



Meets the Americans with Disabilities Act Guidelines and ANSI A117.1 Requirements for the physically challenged.

TROPE™

WIDESPREAD LAVATORY FAUCET



IMPORTANT: These measurements are subject to change or cancellation.
No responsibility is assumed for use of superseded or voided pages.