



# DXV BELSHIRE®

## PRESSURE BALANCE SHOWER VALVE TRIM



- Cast brass valve with built-in check stops
- Ceramic disc valve cartridge
- Adjustable hot limit safety stop
- Double ceramic pressure balance cartridge: combination of ceramic disc mixing valve and a ceramic balancing spool in a one-piece cartridge
- Concealed mounting hardware
- Includes One-Piece Cartridge for easier installation and maintenance.
- For Use with Flash Shower Rough-In Valves

### CODES AND STANDARDS

Meets or Exceeds ASME A112.18.1/CSA B125.1

### DESCRIPTION

Pressure Balance Shower Valve Trim with Lever Handle (ADA)

Pressure Balance Shower Valve Trim with Cross Handle

Pressure Balance Shower Valve Trim with Cushion Handle

### PRODUCT NUMBER

D35170500.XXX

D35170520.XXX

D35170540.XXX

### REQUIRED VALVE

Flash Shower Rough-in Valve

D35101SS0.191

### AVAILABLE FINISHES

Polished Chrome

Brushed Nickel

Platinum Nickel

Satin Brass

### FINISH CODE

100

144

150

427



Polished  
Chrome



Brushed  
Nickel



Platinum  
Nickel



Satin  
Brass

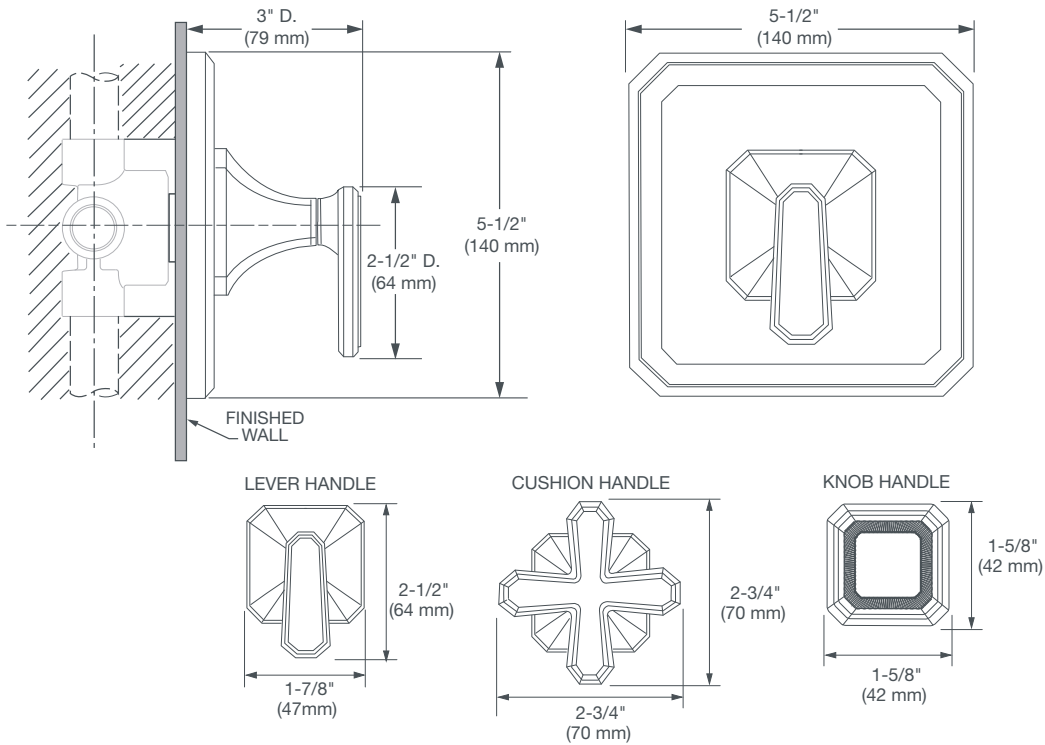
ROUGH-IN DIAGRAM  
SHOWN ON NEXT PAGE





# DXV BELSHIRE®

## PRESSURE BALANCE SHOWER VALVE TRIM



**IMPORTANT:** These measurements are subject to change or cancellation.  
No responsibility is assumed for use of superseded or voided pages.

PART OF **LIXIL**