



ASHBEE™

TISSUE HOLDER



- Solid brass construction
- Concealed mounting
- Includes assembly hardware

AVAILABLE FINISHES

Polished Chrome
Brushed Nickel
Platinum Nickel

FINISH CODE

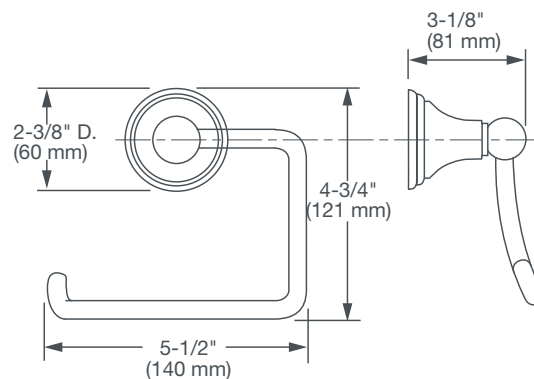
100
144
150

DESCRIPTION

Tissue Holder

PRODUCT NUMBER

D35101235.XXX



IMPORTANT: These measurements are subject to change or cancellation.
No responsibility is assumed for use of superseded or voided pages.

PART OF **LIXIL**