

ASHBEE®

WIDESPREAD LAVATORY FAUCET



- Cast brass spout and side valves
- Ceramic disc valve cartridges
- Flexible hose connections for 6"- 12" installations
- Includes 1-1/4" drain assembly
- Lead Free—faucet contains $\leq 0.25\%$ total lead content by weighted volume
- 8" centers
- Maximum flow rate: 1.5 gpm (5.7 L/min)
- Low flow rate: 1.2 gpm (4.5 L/min)

CODES AND STANDARDS

Meets or Exceeds ASME A112.18.1/ CSA B125.1, NSF 61/Section 9

EPA WaterSense® Certified

Certified Compliant with $\leq 0.25\%$ Weighted Average Lead Content Regulations

CEC and CALGreen® Compliant

AVAILABLE FINISHES

Polished Chrome
Brushed Nickel
Platinum Nickel

FINISH CODE

100
144
150

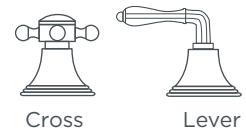
DESCRIPTION

Widespread Lavatory Faucet
1.5 gpm (5.7 L/min)
— Cross Handles
— Lever Handles (ADA only)
1.2 gpm (4.5 L/min)
— Cross Handles
— Lever Handles (ADA only)

PRODUCT NUMBER

★ D35101840.XXX
★ D35101800.XXX

D3510184C.XXX
D3510180C.XXX



ROUGH-IN DIAGRAM
SHOWN ON NEXT PAGE

★DISCONTINUED. Available while supplies last.

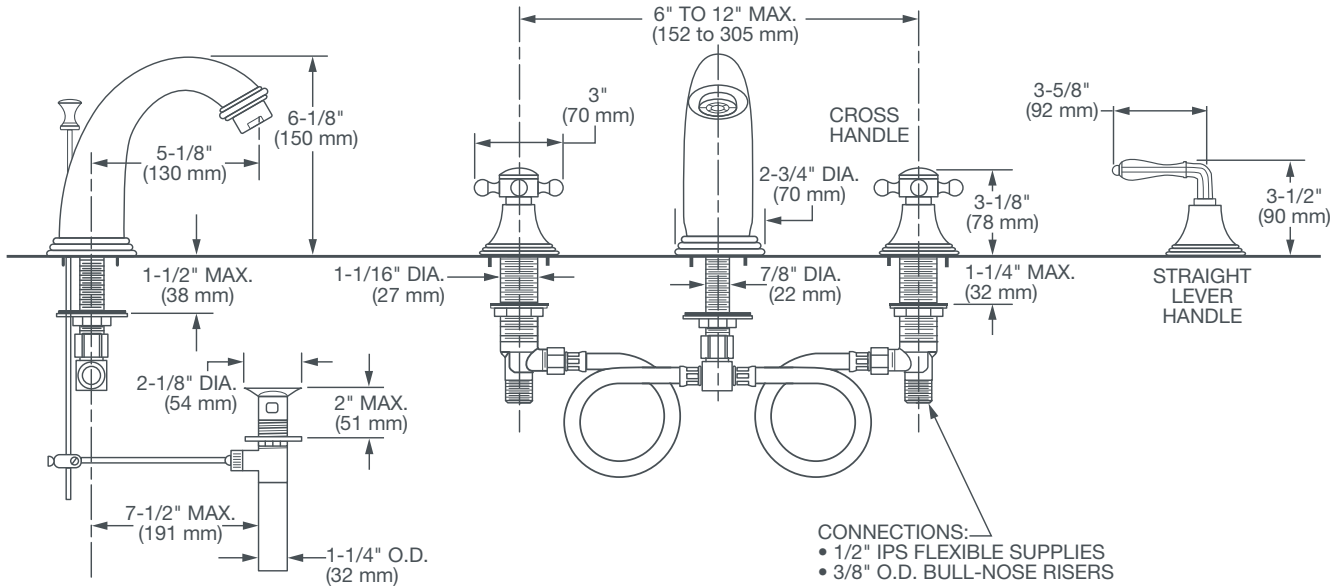
CALGreen® is a registered trademark of California Building Standards Commission.



Meets the Americans with Disabilities Act Guidelines and ANSI A117.1 Requirements for the physically challenged.

ASHBEE®

WIDESPREAD LAVATORY FAUCET



NOTE: MOUNTING HOLES ARE 1-3/8" DIA. (35 mm)

IMPORTANT: These measurements are subject to change or cancellation. No responsibility is assumed for use of superseded or voided pages.

PART OF LIXIL