

KEEFE®

SINGLE LEVER AND VESSEL LAVATORY FAUCETS



- Cast brass spout and body with exposed water delivery
- Ceramic disc valve cartridge
- 3/8" Compression braided, stainless steel flexible supply hose
- Speed Connect® with 1-1/4" drain
- Lead Free—faucet contains $\leq 0.25\%$ total lead content by weighted volume
- Low flow rate: 1.2 gpm (4.5 L/min)
- Red and Blue (hot/cold) indicator markings at base of handle

CODES AND STANDARDS

Meets or Exceeds ASME A112.18.1/ CSA B125.1, NSF 61/Section 9

EPA WaterSense® Certified

Certified Compliant with $\leq 0.25\%$ Weighted Average Lead Content Regulations

CEC and CALGreen® Compliant

AVAILABLE FINISHES

Polished Chrome
Brushed Nickel

FINISH CODE

100
144

DESCRIPTION

Single Control Monoblock Lavatory Faucet
Single Control Monoblock Vessel Faucet

PRODUCT NUMBER

D35104100RB.XXX
D35104150RB.XXX

ROUGH-IN DIAGRAM
SHOWN ON NEXT PAGE

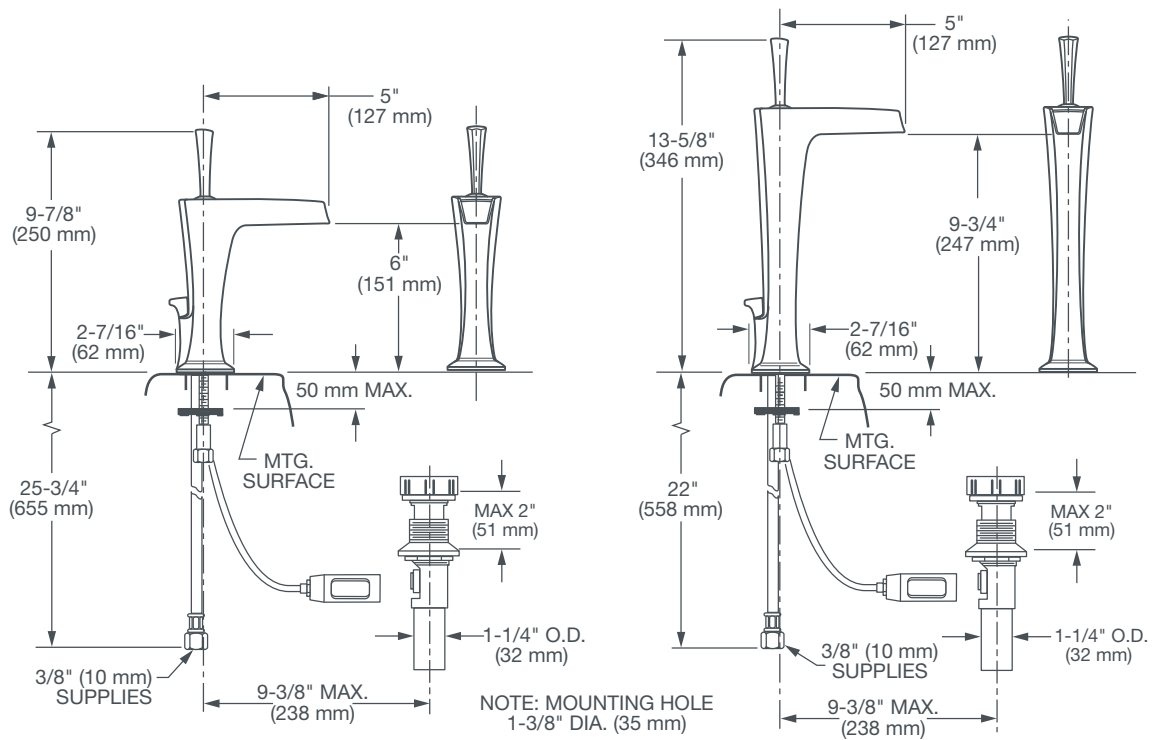
CALGreen® is a registered trademark of California Building Standards Commission.

Meets the Americans with Disabilities Act Guidelines and ANSI A117.1 Requirements for the physically challenged.



KEEFE®

SINGLE LEVER AND VESSEL LAVATORY FAUCETS



IMPORTANT: These measurements are subject to change or cancellation. No responsibility is assumed for use of superseded or voided pages.

PART OF LIXIL