

PERCY®

WIDESPREAD FAUCET



- Clean, tubular design with cast brass spout and side valves
- Ceramic disc valve cartridges
- Distinct, geometric handle design
- 3/8" compression braided, stainless steel flexible supply hose
- Speed Connect® with 1-1/4" drain
- Lead Free—faucet contains $\leq 0.25\%$ total lead content by weighted volume
- Low flow rate: 1.2 gpm (4.5 L/min)
- Red and Blue (hot/cold) indicator rings at base of handle stems

CODES AND STANDARDS

Meets or Exceeds ASME A112.18.1/
CSA B125.1/NSF 61/Section 9

EPA WaterSense® Certified

Certified Compliant with $\leq 0.25\%$ Weighted
Average Lead Content Regulations

CEC and CALGreen® Compliant

AVAILABLE FINISHES

Polished Chrome
Brushed Nickel

FINISH CODE

100
144

DESCRIPTION

Widespread Faucet
— Cross Handles
— Lever Handles (ADA only)

PRODUCT NUMBER

D35105840RB.XXX
D35105800RB.XXX



ROUGH-IN DIAGRAM
SHOWN ON NEXT PAGE

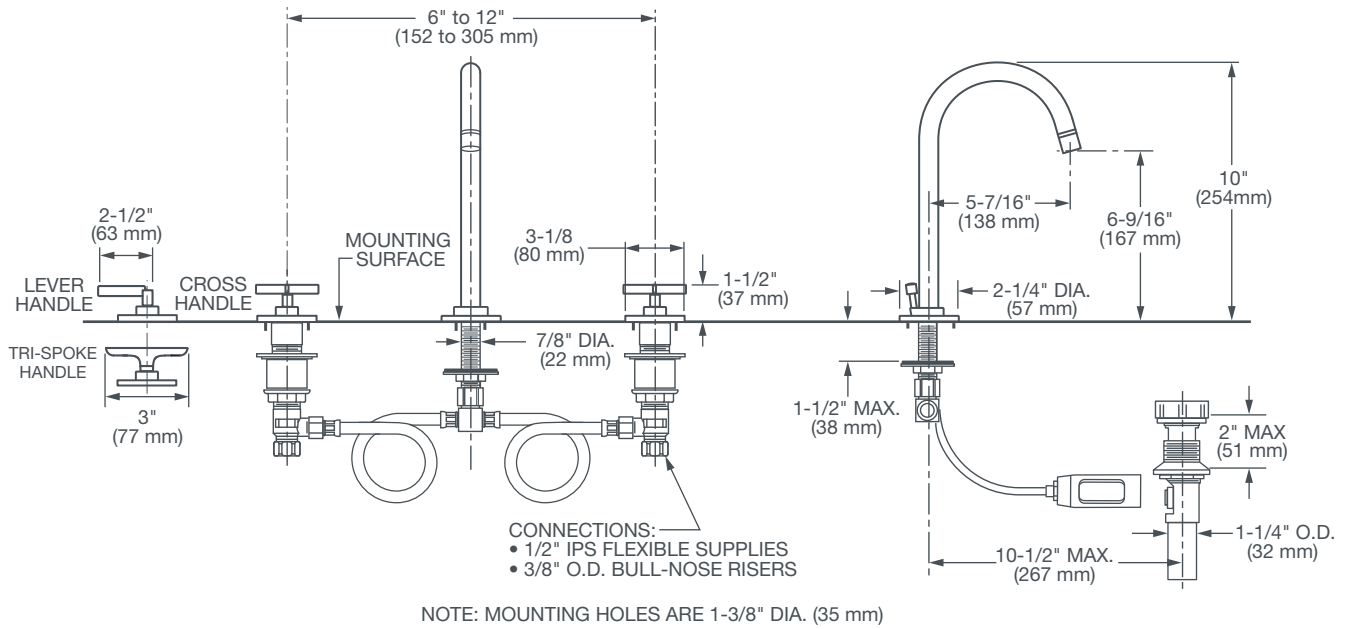
CALGreen® is a registered trademark of California Building Standards Commission.



Meets the Americans with Disabilities Act Guidelines and ANSI A117.1 Requirements for the physically challenged.

PERCY®

WIDESPREAD FAUCET



IMPORTANT: These measurements are subject to change or cancellation. No responsibility is assumed for use of superseded or voided pages.

PART OF **LIXIL**