

# LANDFAIR<sup>®</sup>

## BRIDGE LAVATORY FAUCET



- Decorative, traditional cast brass spout and side valves
- Ceramic disc valve cartridges
- White porcelain and metal index buttons included
- Non-swivel spout
- Decorative center drain activator and Speed Connect<sup>®</sup> with 1-1/4" drain
- Lead Free—faucet contains  $\leq 0.25\%$  total lead content by weighted volume
- Low flow rate: 1.2 gpm (4.5 L/min)
- Red and Blue (hot/cold) indicator rings at base of handles

### CODES AND STANDARDS

Meets or Exceeds ASME A112.18.1/ CSA B125.1, NSF 61/Section 9

EPA WaterSense<sup>®</sup> Certified

Certified Compliant with  $\leq 0.25\%$  Weighted Average Lead Content Regulations

CEC and CALGreen<sup>®</sup> Compliant

### AVAILABLE FINISHES

Polished Chrome  
Carbon Bronze  
Platinum Nickel

### FINISH CODE

100  
110  
150

### DESCRIPTION

Bridge Lavatory Faucet

### PRODUCT NUMBER

D35107254RB.XXX

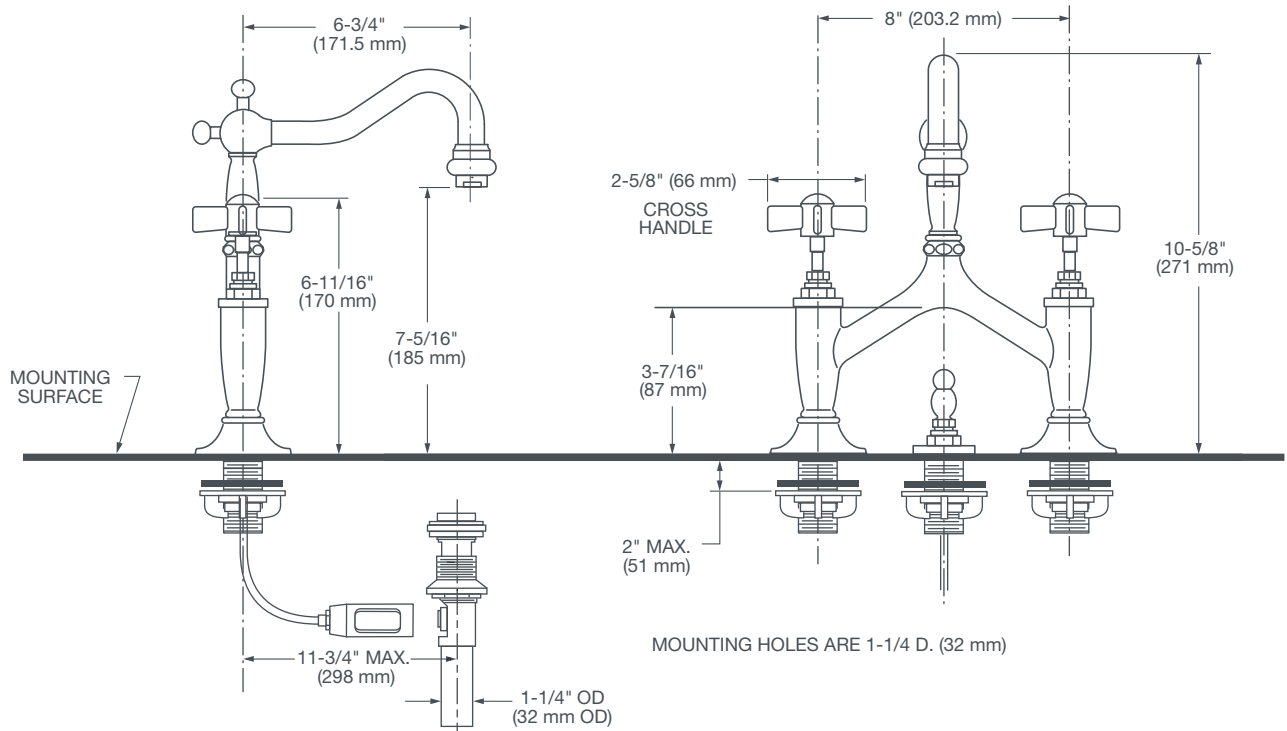
ROUGH-IN DIAGRAM  
SHOWN ON NEXT PAGE

CALGreen<sup>®</sup> is a registered trademark of California Building Standards Commission.



# LANDFAIR<sup>®</sup>

## BRIDGE LAVATORY FAUCET



**IMPORTANT:** These measurements are subject to change or cancellation. No responsibility is assumed for use of superseded or voided pages.

PART OF **LIXIL**