



# CONTEMPORARY 8" ROUND SHOWERHEAD



- Clean, modern design
- 1/2" NPT
- Brass Construction
- Showerhead can pivot
- Easy clean rubber nozzles
- Maximum showerhead flow rate: 2.0 gpm (7.6 L/min)
- Low showerhead flow rate: 1.8 gpm (6.8 L/min)

### CODES AND STANDARDS

Meets or Exceeds ASME A112.18.1/ CSA B125.1

EPA WaterSense® Certified

CEC and CALGreen® Compliant

### AVAILABLE FINISHES

Polished Chrome  
Brushed Nickel  
Platinum Nickel

### FINISH CODE

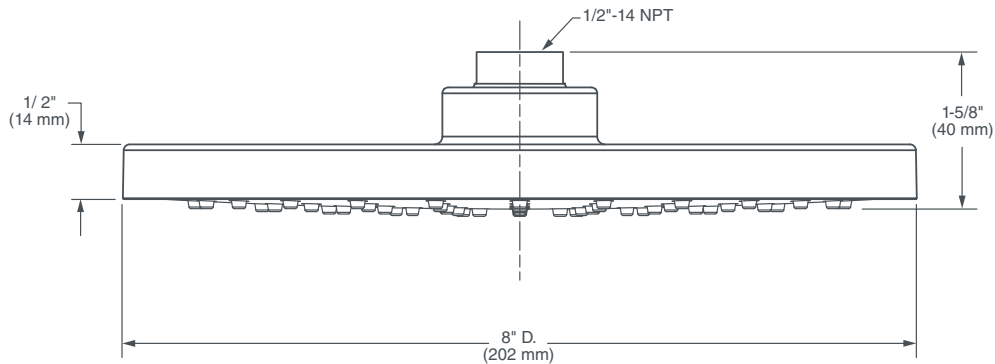
100  
144  
150

### DESCRIPTION

8" Contemporary  
Round Showerhead  
2.0 gpm (7.6 L/min)  
1.8 gpm (6.8 L/min)

### PRODUCT NUMBER

D35700208.XXX  
  
D35700208.XXX  
D3570020C.XXX



**IMPORTANT:** These measurements are subject to change or cancellation. No responsibility is assumed for use of superseded or voided pages.

PART OF **LIXIL**