



ISLE®

PULL-DOWN KITCHEN FAUCET



- Single function
- Ceramic disc valve cartridge
- Lead Free — faucet contains $\leq 0.25\%$ total lead content by weighted volume
- Spout swivels at 150°
- Cover plate must be ordered separately
- Maximum flow rate: 1.8 gpm (6.8 L/min)

OPTIONAL COMPONENT

10" Cover Plate — One-Hole H960748.XXX

CODES AND STANDARDS

Meets or Exceeds ASME A112.18.1/ CSA B125.1, NSF 61/Section 9

Certified Compliant with $\leq 0.25\%$ Weighted Average Lead Content Regulations

CEC and CALGreen® Compliant

AVAILABLE FINISHES

Polished Chrome
Ultra Steel

FINISH CODE

100
355

DESCRIPTION

Pull-Down Kitchen Faucet

PRODUCT NUMBER

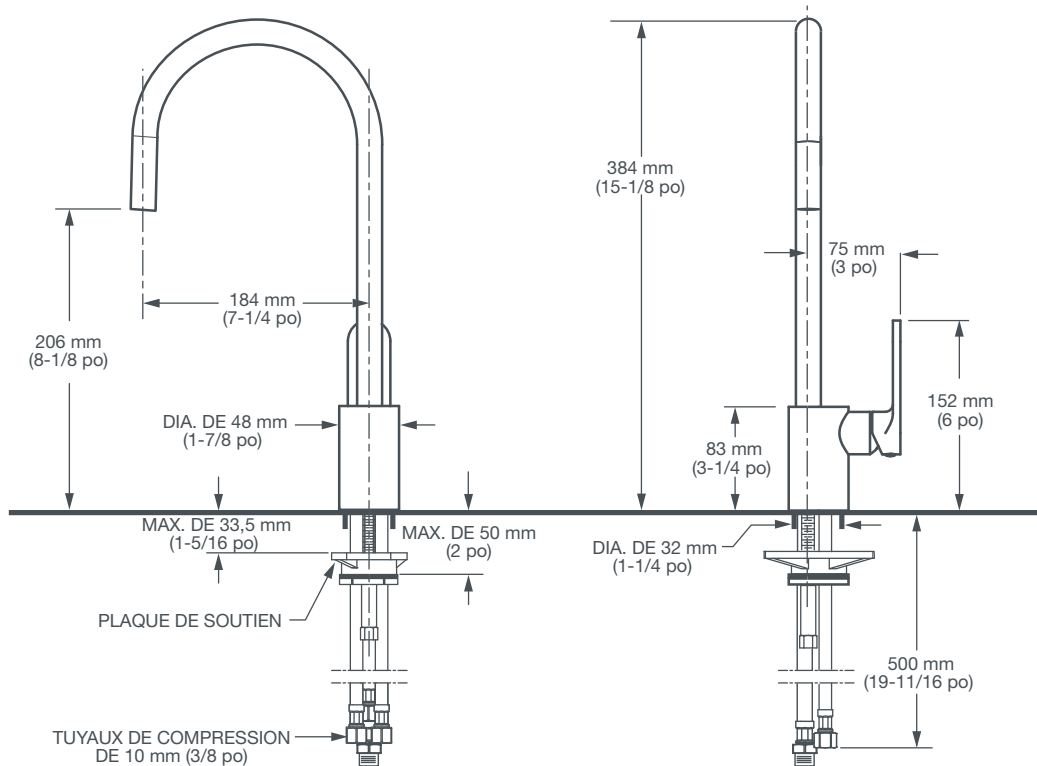
D35409300.XXX

ROUGH IN DIAGRAM SHOWN
ON NEXT PAGE

PART OF **LIXIL**



ISLE® PULL-DOWN KITCHEN FAUCET



IMPORTANT: These measurements are subject to change or cancellation.
No responsibility is assumed for use of superseded or voided pages.

PART OF LIXIL