

KEEFE®

SINGLE LEVER AND VESSEL LAVATORY FAUCETS



- Cast brass spout and body with exposed water delivery
- Ceramic disc valve cartridge
- 3/8" Compression braided, stainless steel flexible supply hose
- Speed Connect® with 1-1/4" drain
- Lead Free—faucet contains $\leq 0.25\%$ total lead content by weighted volume
- Maximum flow rate: 1.5 gpm (5.7 L/min)
- Low flow rate: 1.2 gpm (4.5 L/min)

CODES AND STANDARDS

Meets or Exceeds ASME A112.18.1/ CSA B125.1, NSF 61/Section 9

EPA WaterSense® Certified

Certified Compliant with $\leq 0.25\%$ Weighted Average Lead Content Regulations

CEC and CALGreen® Compliant

AVAILABLE FINISHES

Polished Chrome
Brushed Nickel

FINISH CODE

100
144

DESCRIPTION

1.5 gpm (5.7 L/min)
Single Control Monoblock
Lavatory Faucet
1.2 gpm (4.5 L/min)
Single Control Monoblock
Lavatory Faucet
Single Control Monoblock
Vessel Faucet
Single Control Monoblock
Vessel Faucet with Grid Drain

PRODUCT NUMBER

★ D35104100.100

D3510410C.XXX
D3510415C.XXX
D35104152.XXX

ROUGH-IN DIAGRAM
SHOWN ON NEXT PAGE

★DISCONTINUED. Available while supplies last.

CALGreen® is a registered trademark of California Building Standards Commission.

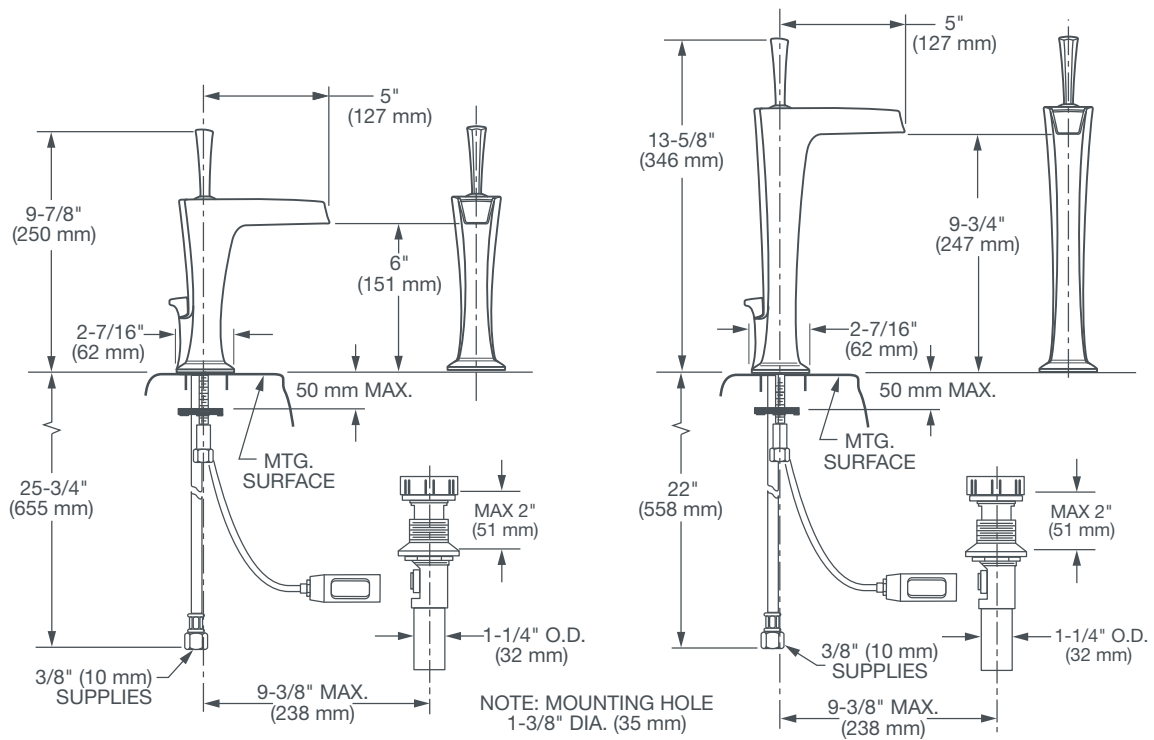


Meets the Americans with Disabilities Act Guidelines and ANSI A117.1 Requirements for the physically challenged.



KEEFE®

SINGLE LEVER AND VESSEL LAVATORY FAUCETS



IMPORTANT: These measurements are subject to change or cancellation. No responsibility is assumed for use of superseded or voided pages.

PART OF LIXIL