



# LANDFAIR<sup>®</sup>

## BRIDGE LAVATORY FAUCET



- Cast brass spout and side valves
- Ceramic disc valve cartridges
- White porcelain and metal index buttons included
- Non-swivel spout
- Decorative center drain activator and Speed Connect<sup>®</sup> with 1-1/4" drain
- Lead Free—faucet contains  $\leq 0.25\%$  total lead content by weighted volume
- Maximum flow rate: 1.5 gpm (5.7 L/min)
- Low flow rate: 1.2 gpm (4.5 L/min)

### CODES AND STANDARDS

Meets or Exceeds ASME A112.18.1/ CSA B125.1, NSF 61/Section 9

EPA WaterSense<sup>®</sup> Certified

Certified Compliant with  $\leq 0.25\%$  Weighted Average Lead Content Regulations

CEC and CALGreen<sup>®</sup> Compliant

### AVAILABLE FINISHES

Polished Chrome  
Carbon Bronze  
Brushed Nickel  
Platinum Nickel

### FINISH CODE

100  
110  
144  
150

### DESCRIPTION

1.5 gpm (5.7 L/min)  
Bridge Lavatory Faucet  
1.2 gpm (4.5 L/min)   
Bridge Lavatory Faucet

### PRODUCT NUMBER

★ D35107254.XXX  
D3510725C.XXX

ROUGH-IN DIAGRAM  
SHOWN ON NEXT PAGE

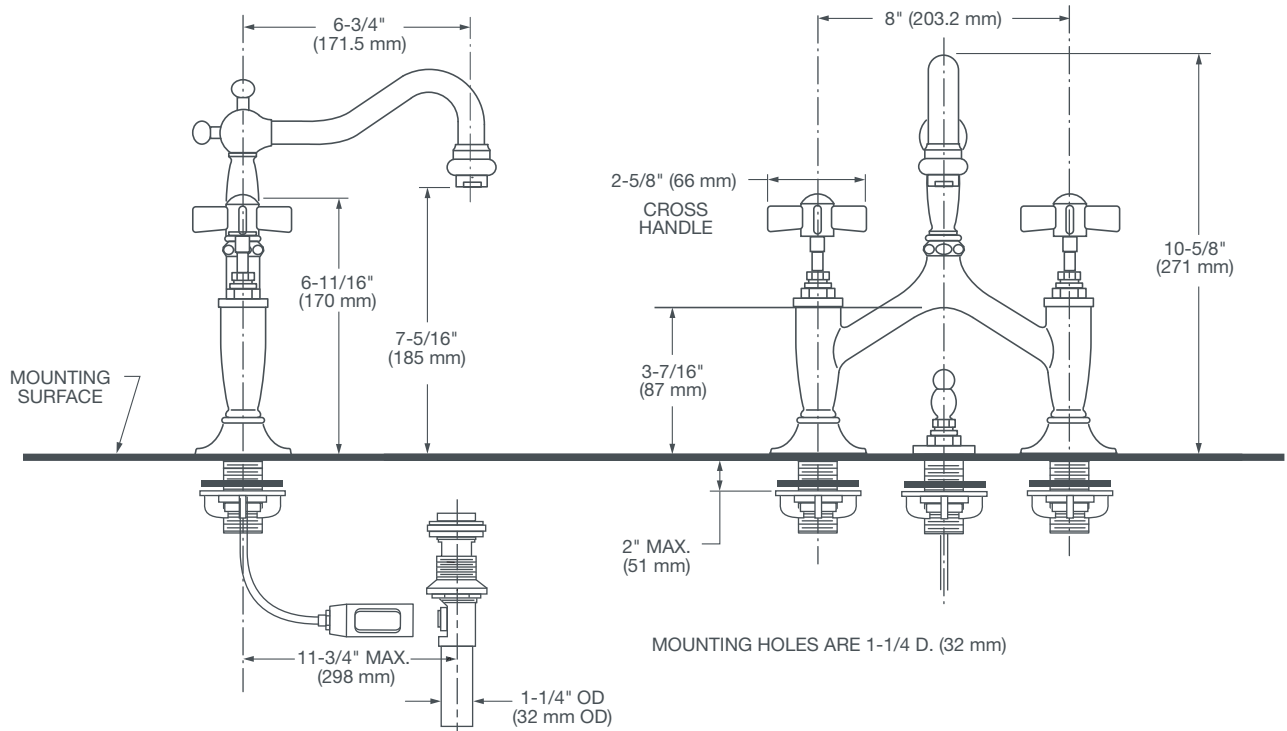
★DISCONTINUED. Available while supplies last.

CALGreen<sup>®</sup> is a registered trademark of California Building Standards Commission.



# LANDFAIR<sup>®</sup>

## BRIDGE LAVATORY FAUCET



**IMPORTANT:** These measurements are subject to change or cancellation. No responsibility is assumed for use of superseded or voided pages.

PART OF **LIXIL**