



LANDFAIR[®]

1/2" OR 3/4"

THERMOSTATIC VALVE TRIM



- Ceramic disc valve cartridge
- Cast brass valve body with built-in check stops
- Adjustable hot limit safety stop
- Wax thermostatic unit permits shuttle valve to move between the hot and cold seats to maintain the preselected constant water temperature
- White porcelain and metal index buttons included

CODES AND STANDARDS

Meets or Exceeds ASME A112.18.1/
CSA B125.1/ASSE 1016

AVAILABLE FINISHES

Polished Chrome
Carbon Bronze
Brushed Nickel
Platinum Nickel

FINISH CODE

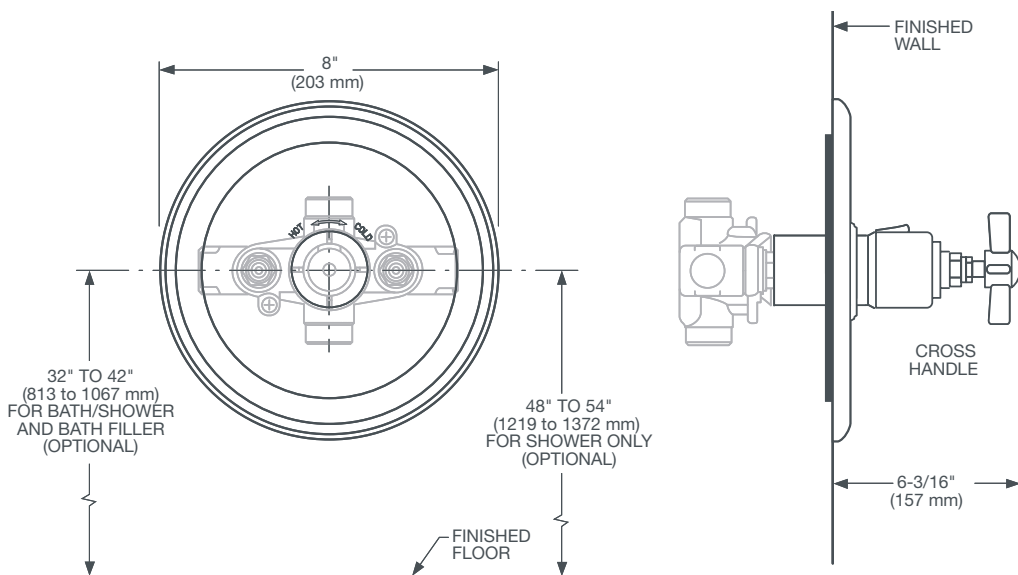
100
110
144
150

DESCRIPTION

1/2" or 3/4" Thermostatic Trim
1/2" Thermostatic Rough Valve
(required component)
3/4" Thermostatic Rough Valve
(required component)

PRODUCT NUMBER

D35107514.XXX
D35000510.191
D35000530.191



IMPORTANT: These measurements are subject to change or cancellation. No responsibility is assumed for use of superseded or voided pages.

PART OF **LIXIL**