



# LANDFAIR®

## WIDESPREAD LAVATORY FAUCET



- Cast brass spout and side valves
- Ceramic disc valve cartridges
- White porcelain and metal index buttons included
- Flexible hose connections for 6"-12" installations
- Speed Connect® with 1-1/4" drain
- Lead Free—faucet contains ≤0.25% total lead content by weighted volume
- Maximum flow rate: 1.5 gpm (5.7 L/min)
- Low flow rate: 1.2 gpm (4.5 L/min)

### CODES AND STANDARDS

Meets or Exceeds ASME A112.18.1/ CSA B125.1, NSF 61/Section 9

EPA WaterSense® Certified

Certified Compliant with ≤0.25% Weighted Average Lead Content Regulations

CEC and CALGreen® Compliant



### AVAILABLE FINISHES

Polished Chrome  
 Carbon Bronze  
 Brushed Nickel  
 Platinum Nickel

### FINISH CODE

100  
 110  
 144  
 150

### DESCRIPTION

1.5 gpm (5.7 L/min)  
 Widespread Lavatory Faucet  
 1.2 gpm (4.5 L/min)   
 Widespread Lavatory Faucet

### PRODUCT NUMBER

★ D35107840.XXX  
 D3510784C.XXX

ROUGH-IN DIAGRAM  
SHOWN ON NEXT PAGE

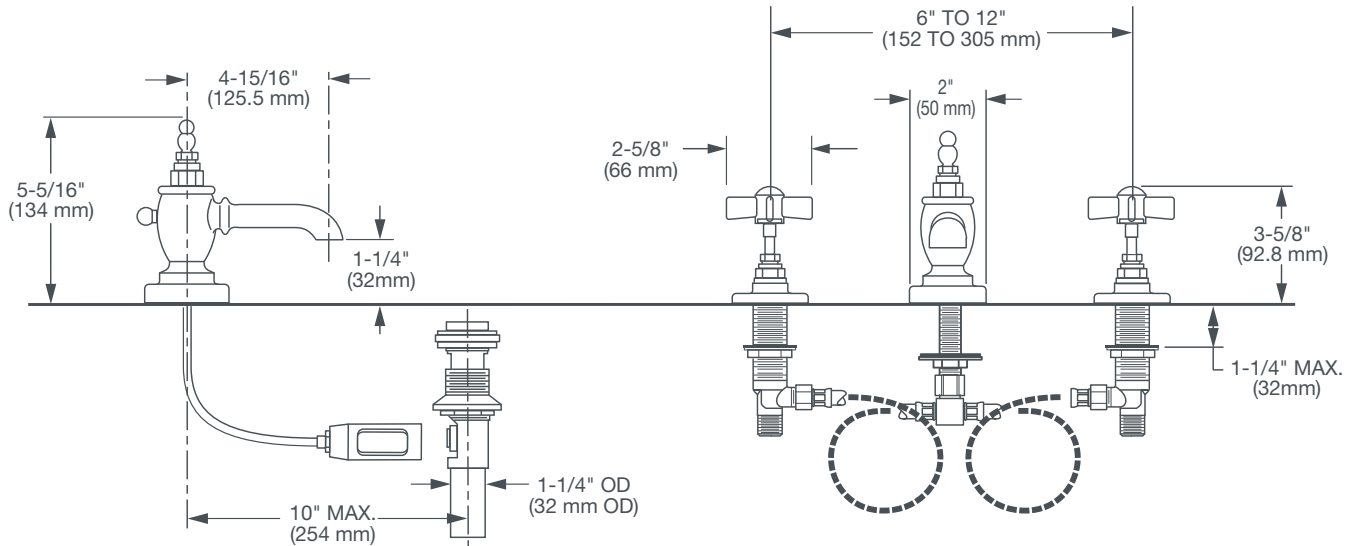
★DISCONTINUED. Available while supplies last.

CALGreen® is a registered trademark of California Building Standards Commission.



# LANDFAIR<sup>®</sup>

## WIDESPREAD LAVATORY FAUCET



NOTE: MOUNTING HOLES ARE 1-1/4" D. for Spout and for Side valve

**IMPORTANT:** These measurements are subject to change or cancellation. No responsibility is assumed for use of superseded or voided pages.

PART OF LIXIL