



## 2-HANDLE THERMOSTATIC ROUGH VALVE WITH 3-WAY DIVERTER



- Ceramic disc valve cartridge
- Forged brass valve body with built-in check stops
- 3-Way Diverter options include discrete or shared functions
- ½" Wax thermostatic unit permits shuttle valve to move between the hot and cold seats to maintain the preselected constant water temperature
- ½" NPT Inlets/Outlets
- Includes Adjustable Hot Limit Safety Stop
- Maximum temperature limit is 120°F

### CODES AND STANDARDS

Meets or Exceeds ASME A112.18.1/CSA B125.1/ASSE 1016

### DESCRIPTION

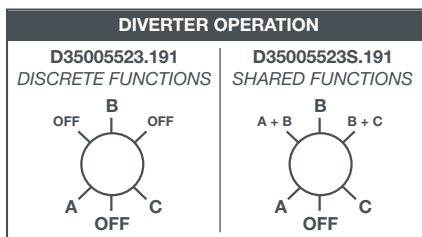
2-Handle Thermostatic Rough Valve with 3-Way Diverter  
(Discrete Functions)

### PRODUCT NUMBER

D35005523.191

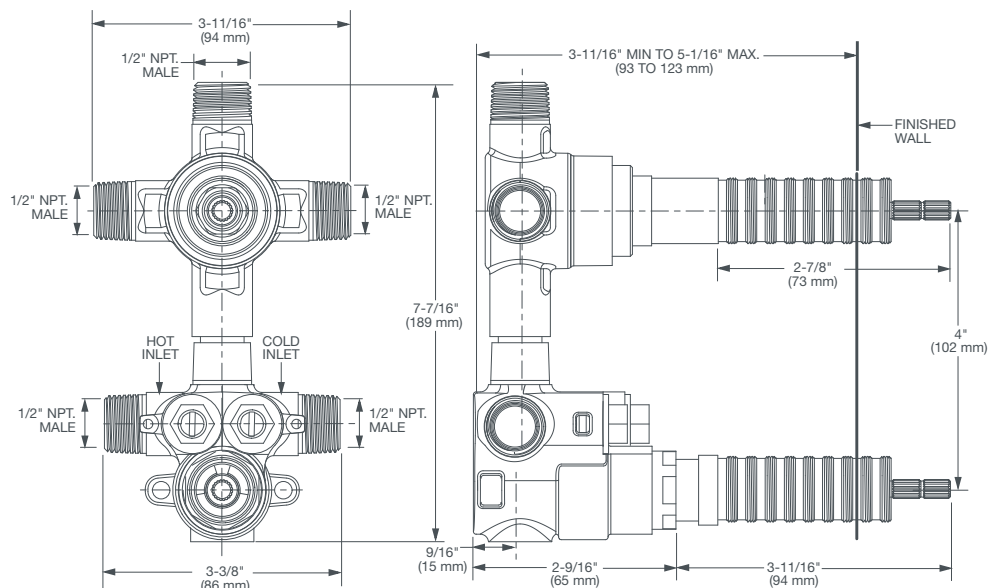
2-Handle Thermostatic Rough Valve with 3-Way Diverter  
(Shared Functions)

D35005523S.191



**IMPORTANT:** These measurements are subject to change or cancellation.

No responsibility is assumed for use of superseded or voided pages.



CEC and CALGreen Compliant

PART OF **LIXIL**