



# PERCY®

## WIDESPREAD FAUCET



- Contemporary design with industrial elegance
- Cast brass spout and side valves
- Ceramic disc valve cartridges
- Distinct, geometric handle design
- 3/8" compression braided, stainless steel flexible supply hose
- Speed Connect® with 1-1/4" drain
- Lead Free—faucet contains  $\leq 0.25\%$  total lead content by weighted volume
- Maximum flow rate: 1.5 gpm (5.7 L/min)
- Low flow rate: 1.2 gpm (4.5 L/min)

### CODES AND STANDARDS

Meets or Exceeds ASME A112.18.1/ CSA B125.1, NSF 61/Section 9

EPA WaterSense® Certified

Certified Compliant with  $\leq 0.25\%$  Weighted Average Lead Content Regulations

CEC and CALGreen® Compliant

### AVAILABLE FINISHES

Polished Chrome  
Brushed Nickel

### FINISH CODE

100  
144

### DESCRIPTION

Widespread Faucet  
1.5 gpm (5.7 L/min)

- Cross Handles
- Lever Handles (ADA only)

1.2 gpm (4.5 L/min)

- Cross Handles
- Lever Handles (ADA only)
- Tri-Spoke Handles (ADA only)

### PRODUCT NUMBER

- ★ D35105840.XXX
- ★ D35105800.XXX

D3510584C.XXX  
D3510580C.XXX  
D35105870.XXX



Cross



Lever



Tri-Spoke

ROUGH-IN DIAGRAM  
SHOWN ON NEXT PAGE

★DISCONTINUED. Available while supplies last.

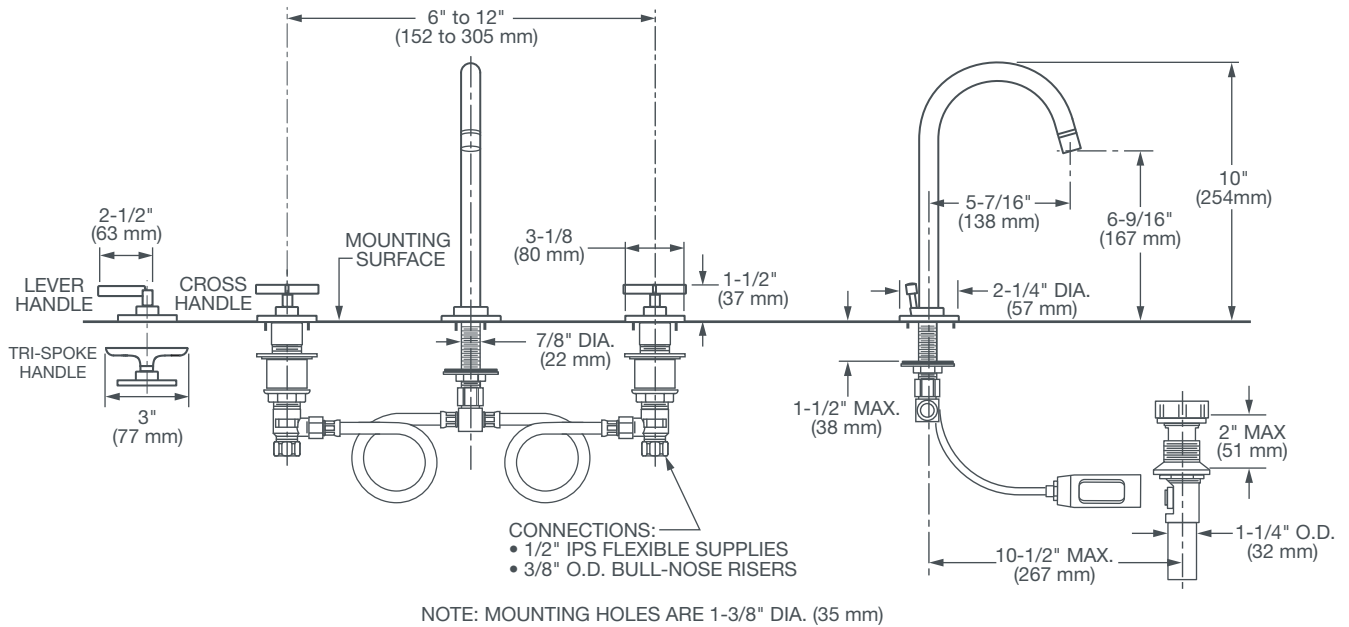
CALGreen® is a registered trademark of California Building Standards Commission.



Meets the Americans with Disabilities Act Guidelines and ANSI A117.1 Requirements for the physically challenged.



# PERCY® WIDESPREAD FAUCET



**IMPORTANT:** These measurements are subject to change or cancellation.  
No responsibility is assumed for use of superseded or voided pages.

PART OF **LIXIL**