



# PERCY®

## DECK MOUNT TUB FILLER WITH HAND SHOWER



- Contemporary design with industrial elegance
- Cast brass spout and side valves
- Ceramic disc valve cartridges
- Distinct, geometric handle design
- Flexible hose connections for 8"– 12" installations
- Hand shower features 5 ft (1.5 m) metal hose
- Hand shower maximum flow rate: 1.8 gpm (6.8 L/min.)

### CODES AND STANDARDS

Meets or Exceeds ASME A112.18.1/CSA B125.1

CEC and CALGreen® Compliant

### AVAILABLE FINISHES

Polished Chrome  
Brushed Nickel

### FINISH CODE

100  
144

### DESCRIPTION

Deck Mount Tub Filler  
with Hand Shower  
– Cross Handles  
– Lever Handles  
– Tri-Spoke Handles

### PRODUCT NUMBER

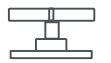
D3510594C.XXX  
D3510590C.XXX  
D35105970.XXX



Cross



Lever



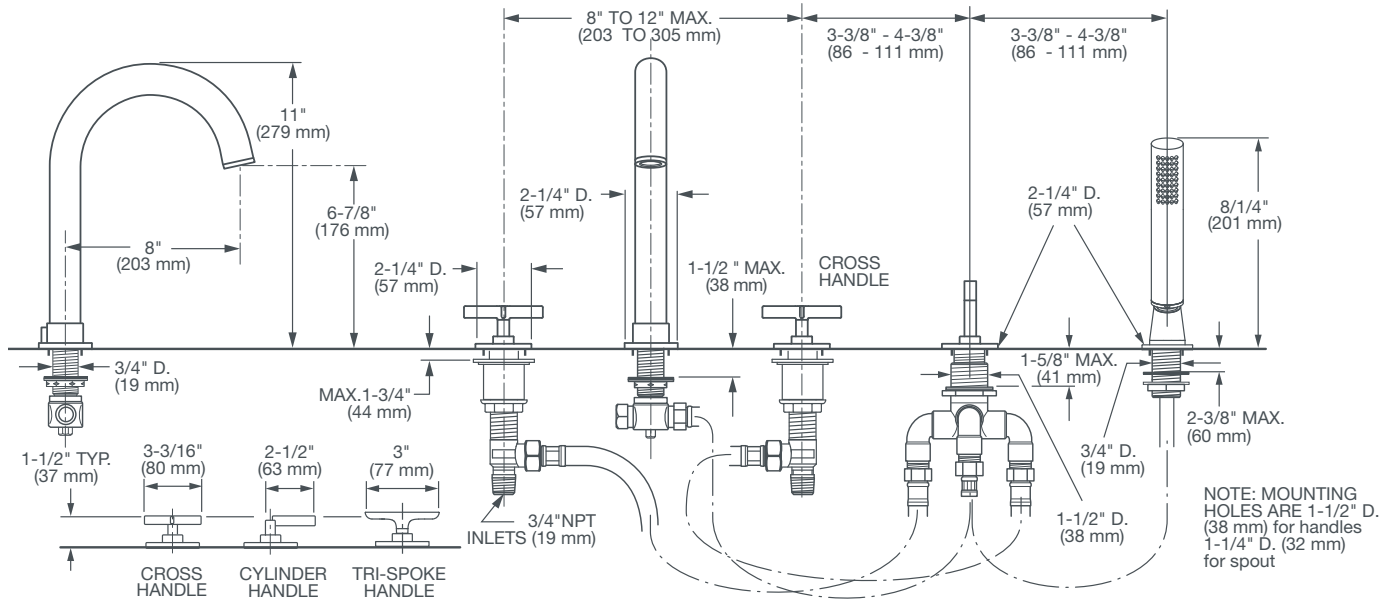
Tri-Spoke

ROUGH-IN DIAGRAM  
SHOWN ON NEXT PAGE



# PERCY®

## DECK MOUNT TUB FILLER WITH HAND SHOWER



**IMPORTANT:** These measurements are subject to change or cancellation. No responsibility is assumed for use of superseded or voided pages.

PART OF **LIXIL**