



# RANDALL®

## WIDESPREAD LAVATORY FAUCET



- Cast brass spout and side valves
- Ceramic disc valve cartridges
- Flexible hose connections for 6"– 12" installations
- Available with cross or lever handles
- 8" centers
- Speed Connect® with 1-1/4" drain
- Lead Free—faucet contains ≤0.25% total lead content by weighted volume
- Maximum flow rate: 1.5 gpm (5.7 L/min)
- Low flow rate: 1.2 gpm (4.5 L/min)

### CODES AND STANDARDS

Meets or Exceeds ASME A112.18.1/ CSA B125.1, NSF 61/Section 9

EPA WaterSense® Certified

Certified Compliant with ≤0.25% Weighted Average Lead Content Regulations

CEC et CALGreen<sup>MC</sup> conformes

### AVAILABLE FINISHES

Polished Chrome  
Brushed Nickel  
Platinum Nickel  
Satin Brass

### FINISH CODE

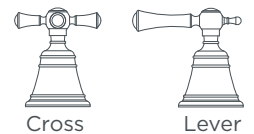
100  
144  
150  
427

### DESCRIPTION

Widespread Lavatory Faucet  
1.5 gpm (5.7 L/min)  
— Cross Handles  
— Lever Handles (ADA only)  
1.2 gpm (4.5 L/min)   
— Cross Handles  
— Lever Handles (ADA only)

### PRODUCT NUMBER

★ D35102840.XXX  
★ D35102800.XXX  
  
D3510284C.XXX  
D3510280C.XXX



ROUGH-IN DIAGRAM  
SHOWN ON NEXT PAGE

★DISCONTINUED. Available while supplies last.

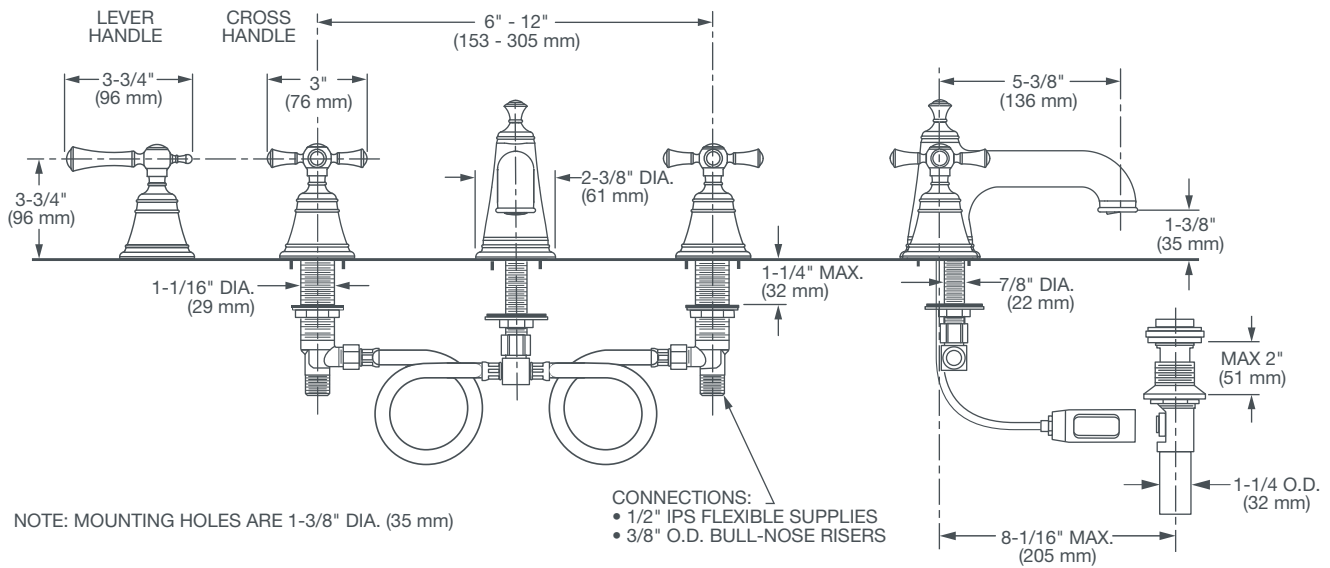
CALGreen® is a registered trademark of California Building Standards Commission.

Meets the Americans with Disabilities Act Guidelines and ANSI A117.1 Requirements for the physically challenged.



# RANDALL<sup>®</sup>

## WIDESPREAD LAVATORY FAUCET



**IMPORTANT:** These measurements are subject to change or cancellation.  
No responsibility is assumed for use of superseded or voided pages.

PART OF LIXIL