



# REM<sup>®</sup>

## SINGLE LEVER LAVATORY AND VESSEL FAUCETS



- European minimalist design
- Cast brass spout and body
- Joystick multiport ceramic disc valve cartridge
- 5-3/4" spout
- Speed Connect<sup>®</sup> with 1-1/4" drain
- Lead Free—faucet contains  $\leq 0.25\%$  total lead content by weighted volume
- Maximum flow rate: 1.5 gpm (5.7 L/min)
- Low flow rate: 1.2 gpm (4.5 L/min)

### CODES AND STANDARDS

Meets or Exceeds ASME A112.18.1/ CSA B125.1, NSF 61/Section 9

EPA WaterSense<sup>®</sup> Certified

Certified Compliant with  $\leq 0.25\%$  Weighted Average Lead Content Regulations

CEC and CALGreen<sup>®</sup> Compliant



### AVAILABLE FINISHES

Polished Chrome  
Brushed Nickel

### FINISH CODE

100  
144

### DESCRIPTION

1.5 gpm (5.7 L/min)  
Single Lever Lavatory Faucet  
Single Lever Vessel Faucet  
1.2 gpm (4.5 L/min)   
Single Lever Lavatory Faucet  
Single Lever Vessel Faucet  
Single Lever Vessel Faucet  
with Grid Drain

### PRODUCT NUMBER

★ D35100100.XXX  
★ D35100150.XXX  
D3510010C.XXX  
D3510015C.XXX  
D35100152.XXX

ROUGH-IN DIAGRAM  
SHOWN ON NEXT PAGE

★DISCONTINUED. Available while supplies last.

CALGreen<sup>®</sup> is a registered trademark of California Building Standards Commission.

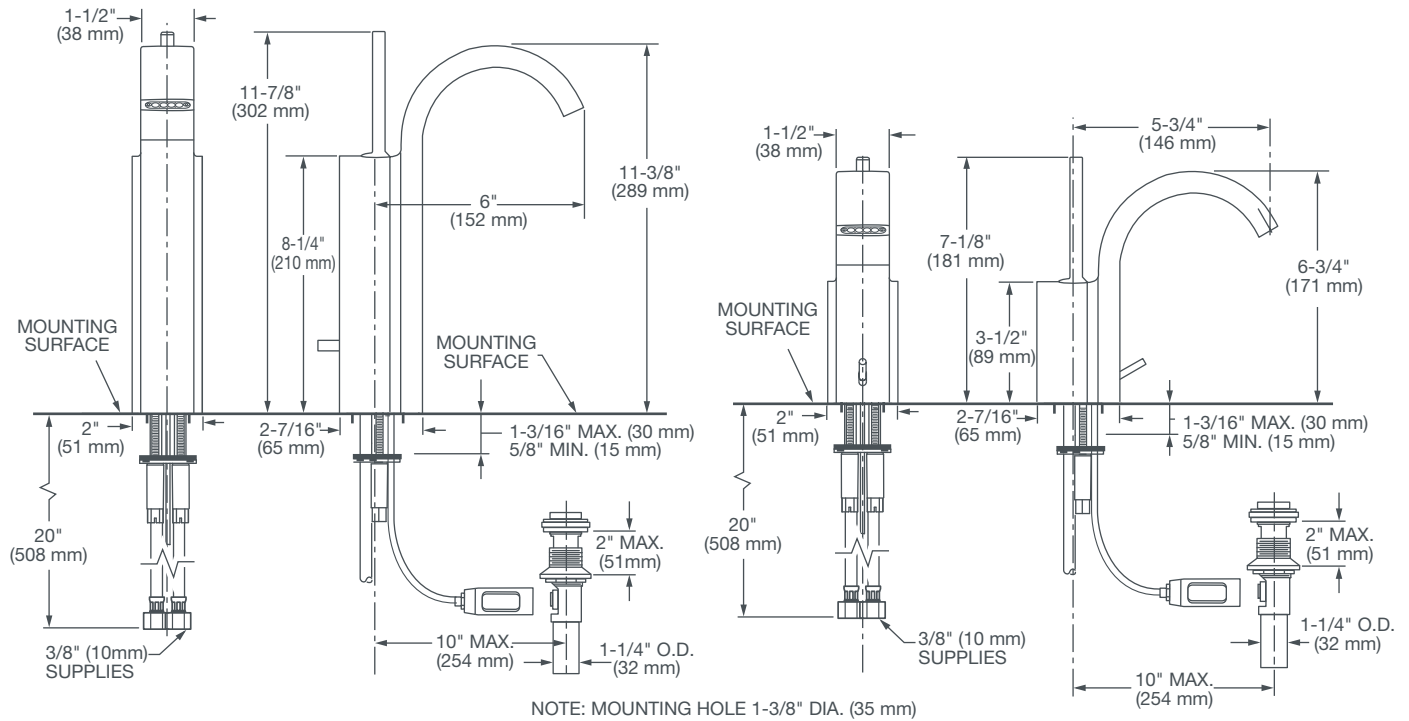


Meets the Americans with Disabilities Act Guidelines and ANSI A117.1 Requirements for the physically challenged.



# REM<sup>®</sup>

## SINGLE LEVER LAVATORY AND VESSEL FAUCETS



**IMPORTANT:** These measurements are subject to change or cancellation. No responsibility is assumed for use of superseded or voided pages.

PART OF LIXIL