



# REM<sup>®</sup>

## TISSUE HOLDER



- European minimalist design
- Solid brass construction
- Concealed mounting
- Includes assembly hardware

### AVAILABLE FINISHES

Polished Chrome  
Brushed Nickel

### FINISH CODE

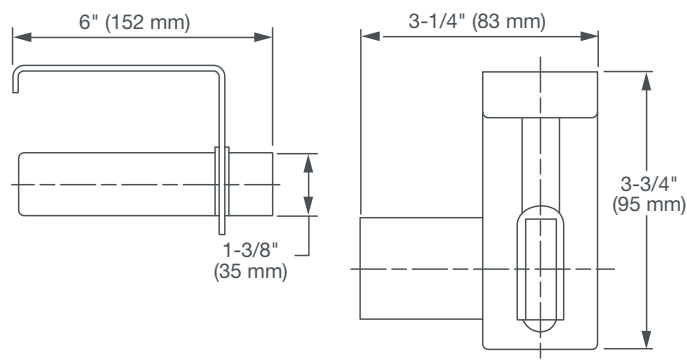
100  
144

### DESCRIPTION

Tissue Holder

### PRODUCT NUMBER

D35100235.XXX



**IMPORTANT:** These measurements are subject to change or cancellation. No responsibility is assumed for use of superseded or voided pages.

PART OF **LIXIL**