

TRADITIONAL COLD TAP



- Compatible with most filtration systems
- Single lever control
- ADA qualified
- Cold water only
- Lead Free — faucet contains $\leq 0.25\%$ total lead content by weighted volume
- Maximum flow rate: 1.5 gpm (5.7L/min)

CODES AND STANDARDS

Meets or Exceeds ASME A112.18.1/ CSA B125.1, NSF 61/Section 9

Certified Compliant with $\leq 0.25\%$ Weighted Average Lead Content Regulations

CEC and CALGreen® Compliant

Available Finishes

Polished Chrome
Ultra Steel

Finish Code

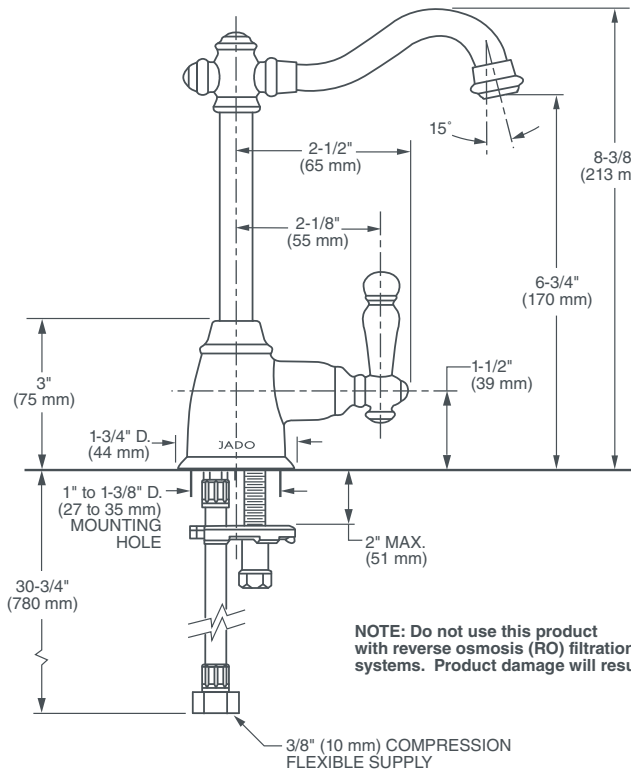
100
355

DESCRIPTION

Traditional Cold Tap

PRODUCT NUMBER

D35402700.XXX



IMPORTANT: These measurements are subject to change or cancellation. No responsibility is assumed for use of superseded or voided pages.

PART OF **LIXIL**

CALGreen® is a registered trademark of California Building Standards Commission.



Meets the Americans with Disabilities Act Guidelines and ANSI A117.1 Requirements for the physically challenged.