



VICTORIAN

PULL-OUT KITCHEN FAUCET



- Single lever kitchen faucet
- Ceramic disc valve cartridge
- Lead Free — faucet contains $\leq 0.25\%$ total lead content by weighted volume
- 9-1/4" swivel spout
- Spout swivels at 360°
- Pull-out spray with nylon hose
- Two check valves
- 10" cover plate available separately
- Maximum flow rate: 1.8 gpm (6.8 L/min)

CODES AND STANDARDS

Meets or Exceeds ASME A112.18.1/ CSA B125.1, NSF 61/Section 9

Certified Compliant with $\leq 0.25\%$ Weighted Average Lead Content Regulations

CEC and CALGreen® Compliant

AVAILABLE FINISHES

Polished Chrome
Carbon Bronze
Ultra Steel

FINISH CODE

100
110
355

DESCRIPTION

Pull-Out Kitchen Faucet

PRODUCT NUMBER

D35402150.XXX

OPTIONAL COMPONENT

10" Cover Plate — One-Hole

H960748.XXX

ROUGH IN DIAGRAM SHOWN
ON NEXT PAGE

CALGreen® is a registered trademark of California Building Standards Commission.

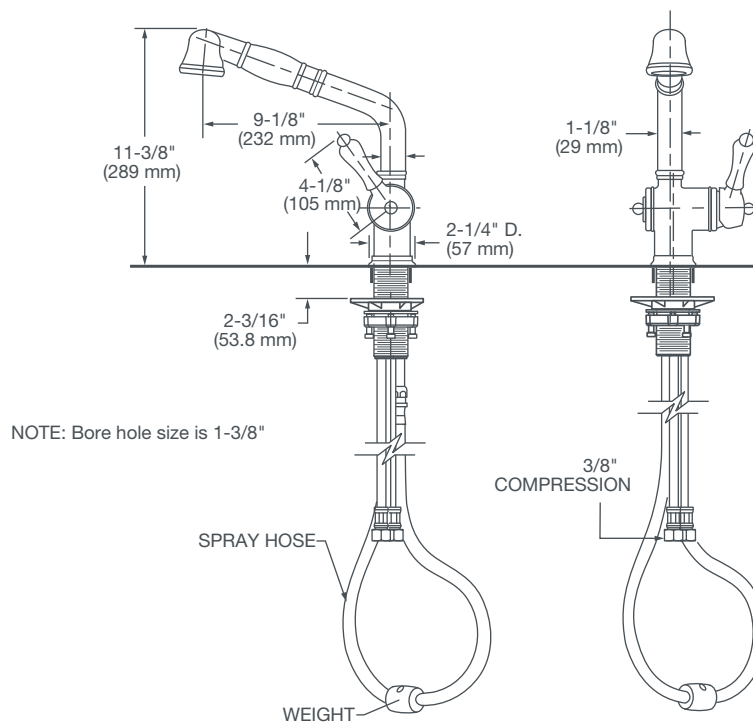


Meets the Americans with Disabilities Act Guidelines and ANSI A117.1 Requirements for the physically challenged.



VICTORIAN

PULL-OUT KITCHEN FAUCET



IMPORTANT: These measurements are subject to change or cancellation. No responsibility is assumed for use of superseded or voided pages.

PART OF **LIXIL**