



VICTORIAN BAR FAUCET



- Ceramic disc valve cartridge
- Lead Free — faucet contains $\leq 0.25\%$ total lead content by weighted volume
- 5-1/4" swivel spout
- Spout swivels at 360°
- Maximum flow rate: 1.8 gpm (6.8 L/min)

CODES AND STANDARDS

Meets or Exceeds ASME A112.18.1/ CSA B125.1, NSF 61/Section 9

Certified Compliant with $\leq 0.25\%$ Weighted Average Lead Content Regulations

CEC and CALGreen® Compliant

AVAILABLE FINISHES

Polished Chrome
Ultra Steel
Carbon Bronze

FINISH CODE

100
355
110

DESCRIPTION

Single Control Bar Faucet

PRODUCT NUMBER

D35402400.XXX

OPTIONAL COMPONENT

Cover Plate

M907587.XXX0A

ROUGH IN DIAGRAM SHOWN
ON NEXT PAGE

PART OF **LIXIL**

©2018 AS America Inc.

5/18

CALGreen® is a registered trademark of California Building Standards Commission.

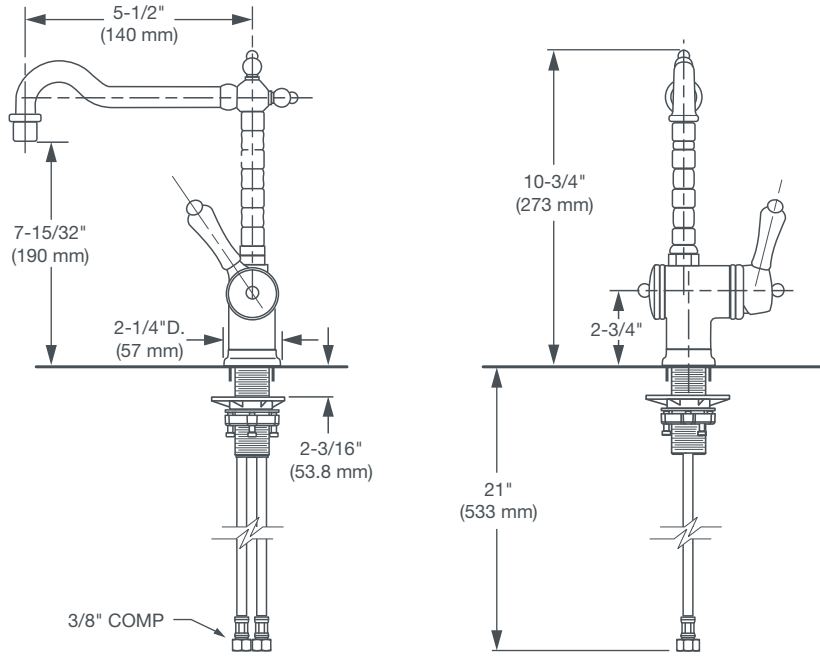


Meets the Americans with Disabilities Act Guidelines and ANSI A117.1 Requirements for the physically challenged.

www.dxv.com



VICTORIAN BAR FAUCET



NOTE: Bore hole size is $1\frac{3}{8}''$

IMPORTANT: These measurements are subject to change or cancellation. No responsibility is assumed for use of superseded or voided pages.

PART OF **LIXIL**