



HAWKINS

ALCOVE TUB



D12460002.415 Left-Hand Outlet
D12461002.415 Right-Hand Outlet

FEATURES

- Americast® brand engineered material
- Recess bath with integral apron and tiling flange
- Integral lumbar support
- Beveled headrest
- Full slip-resistant coverage
- End drain outlet
- Drain not included
- Integral base

DIMENSIONS

NOMINAL DIMENSIONS

60" X 32" X 17-3/4" (1524 X 813 X 451 mm)

COLORS/FINISHES

Canvas White (415),
Polished Chrome (002), Satin Nickel (295)

COMPONENTS

D1583470.XXX Universal Drain

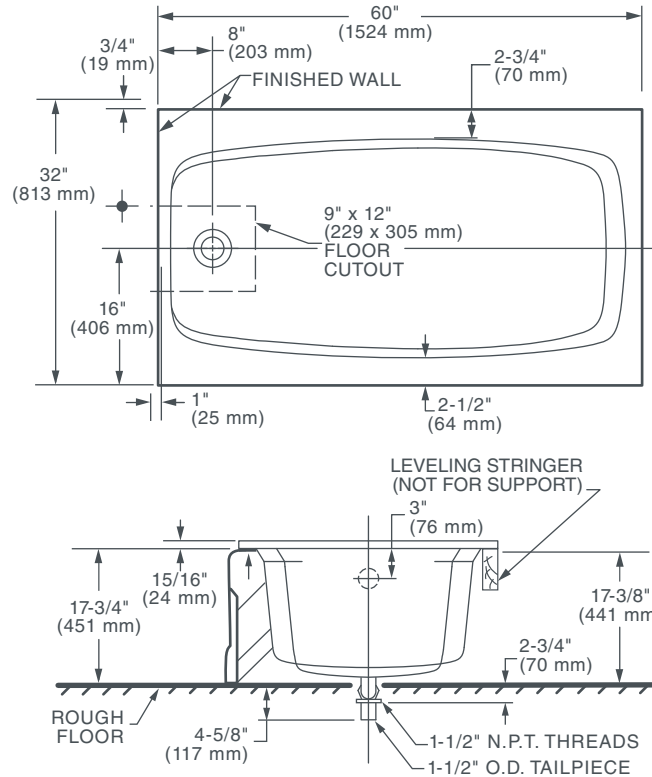
COMPLIANCE CERTIFICATIONS

Meets or Exceeds ASME A112.19.1/CSA B45.2/ASTM F462

ROUGH IN DIAGRAM SHOWN
ON NEXT PAGE



HAWKINS ALCOVE TUB



GENERAL SPECIFICATIONS FOR D12460/D12461 TUB	
INSTALLED SIZE	60 x 32 x 17-3/4 In. (1524 x 813 x 451mm)
WEIGHT	118 Lbs. (54 Kg.)
WEIGHT w/WATER	535 Lbs. (242 Kg.)
GAL. TO OVERFLOW	50 Gal. (190 L)
BATHING WELL AT SUMP	41 x 20 In. (1041 x 508mm)
BATHING WELL AT RIM	54 x 26 In. (1372 x 660mm)
WATER DEPTH TO OVERFLOW	12-5/8 In. (321mm)
FLOOR LOADING (PROJECTED AREA)	39 Lbs./Sq.Ft. (191 Kgs./Sq.m)
PTS.	13.9
CUBE (FT ³)	30.9