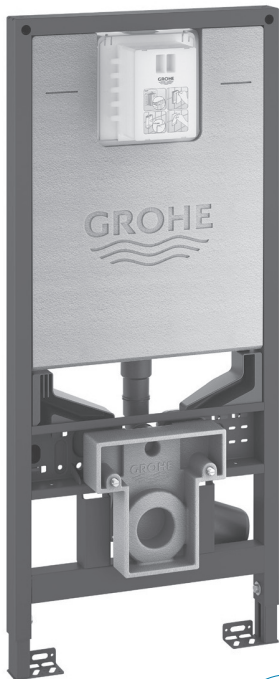


RAPID SL

SLX 2" X 6" IN-WALL CARRIER AND TANK



D29011000.000

FEATURES

- Dual Side channels for water connection and integrated power socket for shower toilets and bidet seats
- Dual flush – 0.8 gpf and 1.6 gpf (3L and 6L)
- Low noise operation – meets strict European noise (DIN) standards
- No tools required for the installation of the inspection shaft including protection during construction phase, for vertical use
- Self-supporting, pre-assembled powder coated steel frame with quick and lockable adjustments
- ADA Compliant, bowl rim height adjustments from 15" to 19"
- Pneumatic discharge valve offering 3 modes of operation: dual flush, start/stop or single flush
- Tank insulated to prevent condensation
- 2 fixing bolts included, 7"- 9" (180-230 mm) mounting screw distance
- Includes integrated angle valve and push fit flexible hose union
- 1/2" water supply connection from right, back or top
- Inlet and outlet connecting set with fixed connections
- Includes flow manager
- Actuation plate sold separately
- 44" (1.13 m) installation height
- TÜV approved for load capacity
- CALGreen compliant
- WaterSense® compliant when paired with listed WaterSense® high efficiency compatible 0.8-1.28 gpf (3-4.8 lpf) wall hung toilet bowls
- Small revision shaft included for small flush plates.
- For use with 6 1/4" x 7 3/4" (156 x 197 mm) flush plates, please order shaft 66791000 (sold separately)

ROUGH IN DIAGRAM SHOWN
ON NEXT PAGE

COLORS/FINISHES

No Finish (000)

COMPLIANCE CERTIFICATIONS

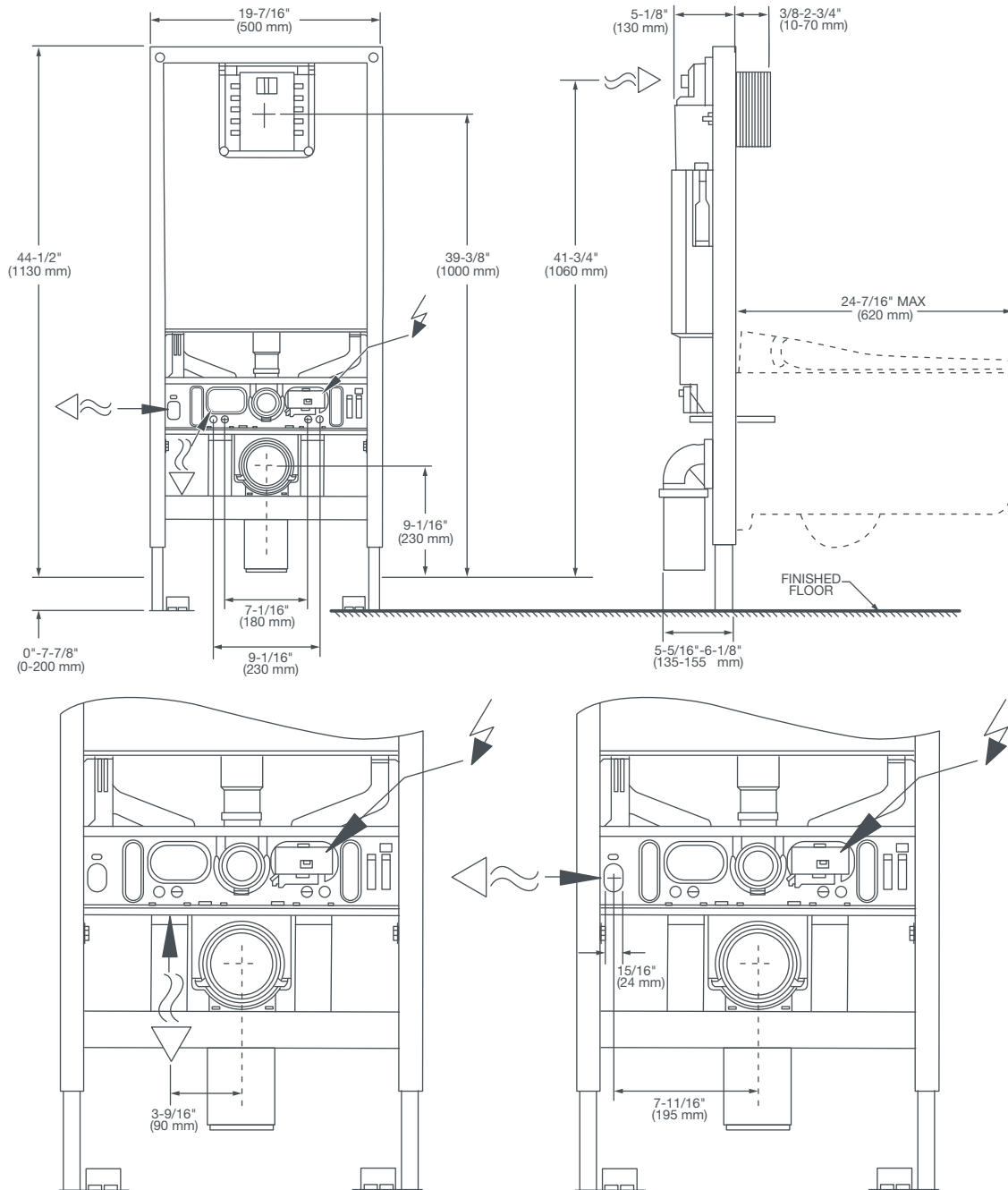
Meets or Exceeds ASSE 1002, CSA B45.15, CSA B125.12, ASME A112.6.2, ASME A112.19.5, ASME A112.1002, Massachusetts Plumbing Board Approved.



Meets the Americans with Disabilities Act Guidelines and ANSI A117.1 Requirements for Accessible and Usable Building Facilities-Check Local Codes.

RAPID SL

SLX 2" X 6" IN-WALL CARRIER AND TANK



NOTES:
Supply not included with fixture and must be ordered separately.

Dimensions shown for location of supply is suggested.

IMPORTANT:

Dimensions of fixtures are nominal and may vary within the range of tolerance established by ANSI Standard A112.19.2. These measurements are subject to change or cancellation. No responsibility is assumed for use of superseded or voided pages.