



ST. GEORGE[®]

FREESTANDING SOAKING TUB WITH DECK



D62747004.XXX

FEATURES

- Traditional soaking tub design
- Custom chrome cable drain included
- Acrylic with fiberglass reinforcement
- 80 gallon capacity

DIMENSIONS

NOMINAL DIMENSIONS

66-1/2" x 35-1/2" x 23-1/2" (1689 x 902 x 597 mm)

COLORS/FINISHES

Canvas White (415), Biscuit (071)

COMPONENT

754990-201.XXX Tub Drain (required)

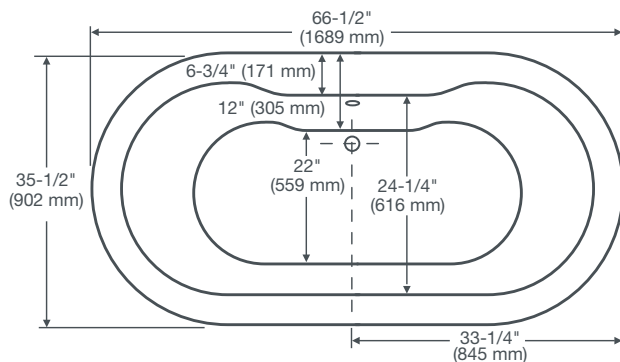
Polished Chrome (002), Polished Nickel (008)

Carbon Bronze (110), Matte Black (243)

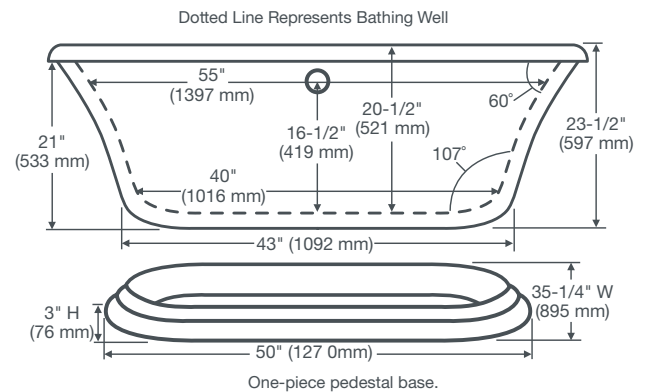
Satin Brass (427), Brushed Nickel (295)

COMPLIANCE CERTIFICATIONS

Meets or Exceeds CSA B45.5/IAPMO Z124,
CAN/ULC S102.2



Freestanding tubs use wall-mounted or freestanding faucets. The waste and overflow assembly is concealed between the walls of the tub, eliminating the need for a decorative exposed drain kit.



Measurements are ± 1/2" (13mm) and are subject to change without notice. Data herein supersedes all previous prior to publication date shown below.

NOTES:

If installing a deck-mounting fitting, before drilling any holes: check for interference with drain overflow. Mounting holes drilled by installer.

Bath can be installed either above or below floor line as pier, island or peninsula type installation. Sump of bath is supported by integral feet. No additional support required. Enclosing materials by others.

Refer to installation instructions supplied with bathing pool for additional information. Fittings not included and must be ordered separately. Provide suitable reinforcement for all supports.

IMPORTANT:

Dimensions of fixtures are nominal and may vary within the range of tolerances established by CSA B45.5/IAPMO Z124. These measurements are subject to change or cancellation. No responsibility is assumed for use of superseded or voided leaflet.

PART OF **LIXIL**