

# INSTALLATION INSTRUCTIONS



## Equility® Console Lavatory Kit

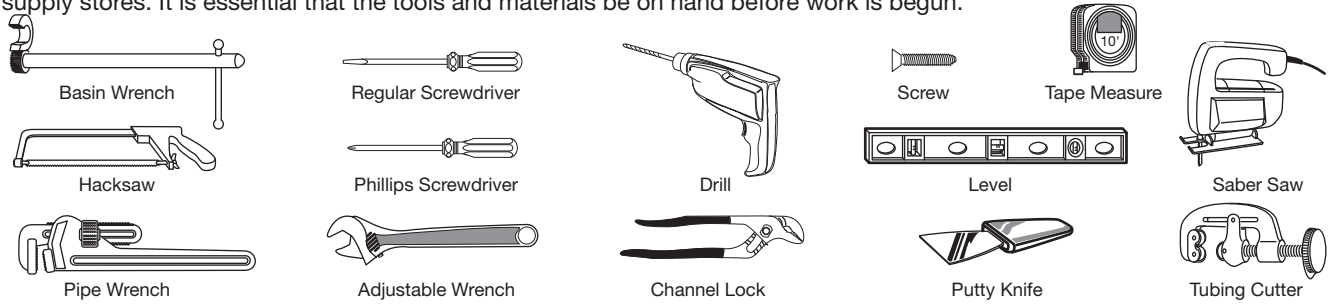
### Model D21070022

Thank you for selecting DXV. To ensure this product is installed properly, please read these instructions carefully before you begin. (Certain installations may require professional help.) Also be sure your installation conforms to local codes.

**▲ CAUTION: PRODUCT IS FRAGILE. TO AVOID BREAKAGE AND POSSIBLE INJURY HANDLE WITH CARE!**  
NOTE: Pictures may not exactly define contour of china and components.

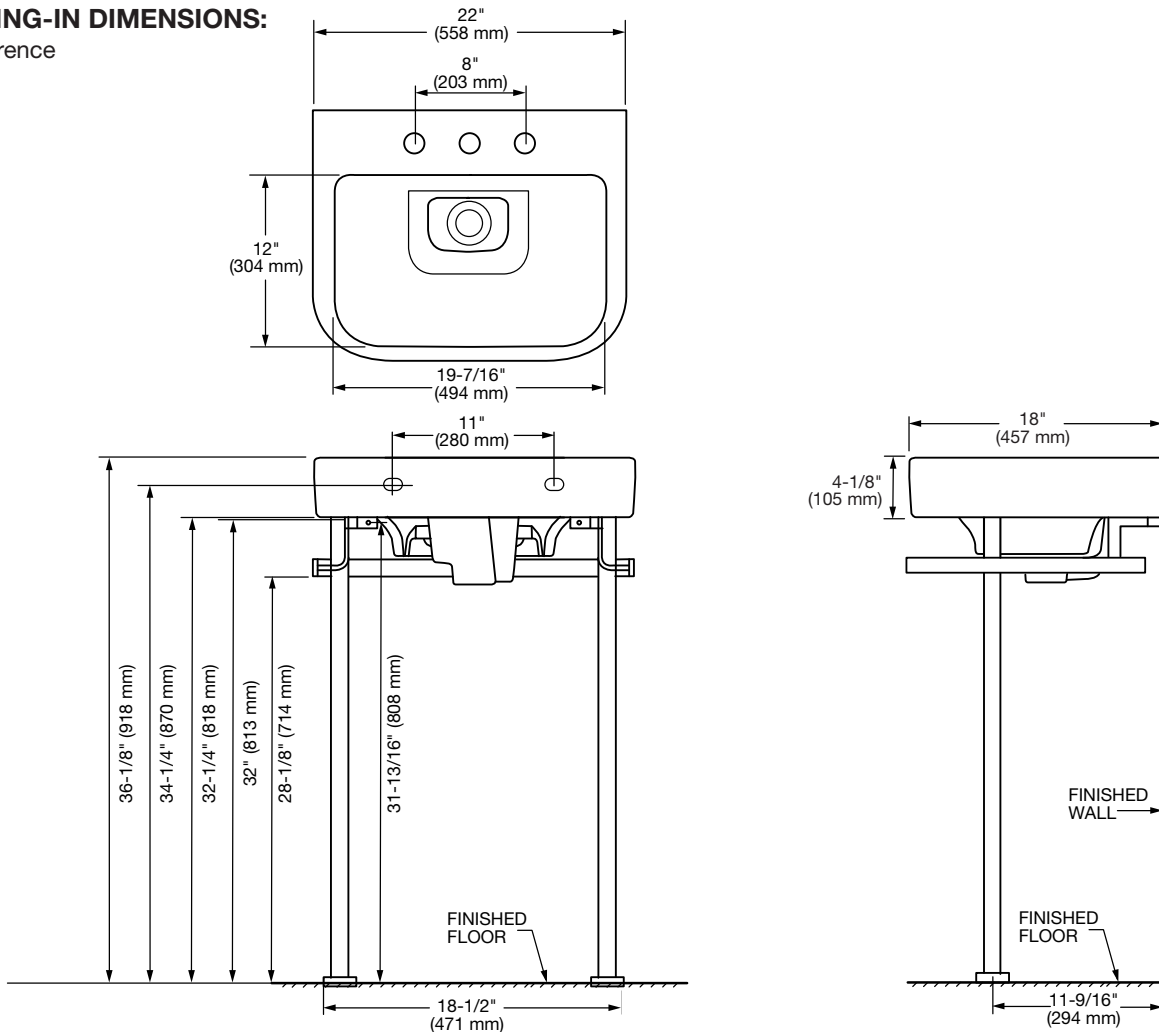
#### RECOMMENDED TOOLS AND MATERIALS

Most of the procedures require the use of common tools and materials, which are available from hardware and plumbing supply stores. It is essential that the tools and materials be on hand before work is begun.



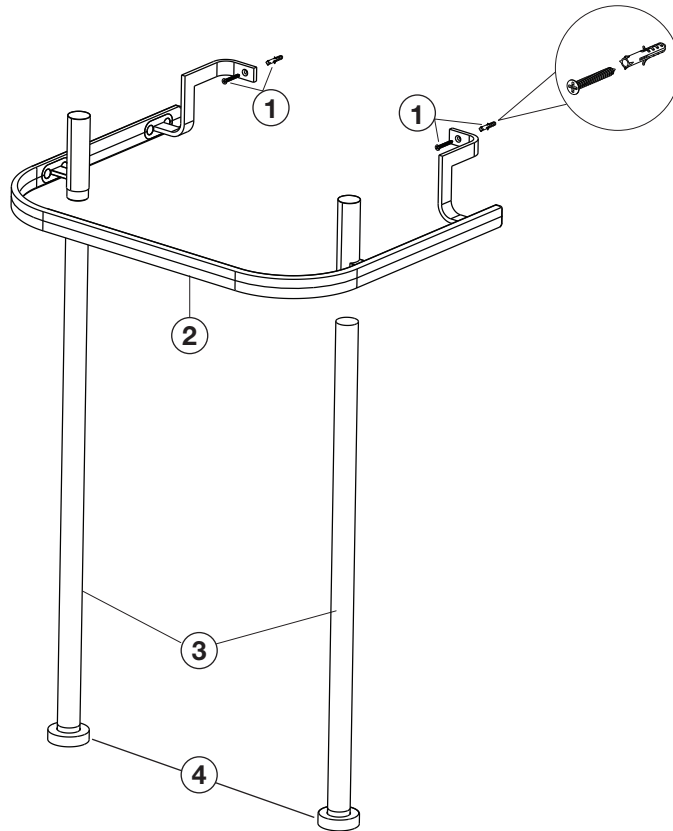
#### ROUGHING-IN DIMENSIONS:

- For reference



S  
A  
V  
E  
  
F  
O  
R  
  
F  
U  
T  
U  
R  
E  
  
U  
S  
E

## EXPLODED VIEW



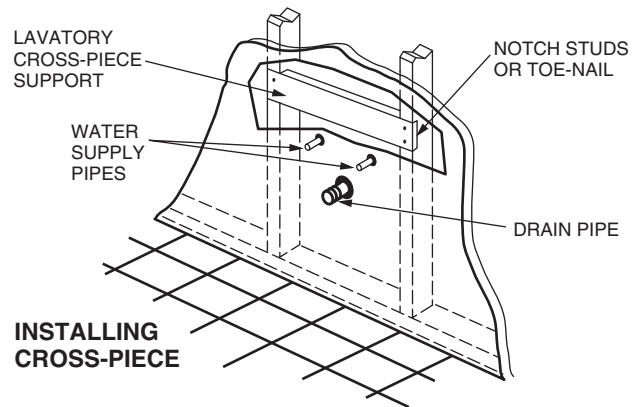
### 1 WALL PREPARATION:

Typical installation includes wall preparation, installation of faucet and pop-up drain, supplies to house water system.

**Lavatory Mounting Provisions** - Whether the lavatory is used for replacement or new installation, the wall area behind the lavatory basin mounting holes must be reinforced to provide secure mounting for the new unit.

#### Preparing Wall for Lavatory Mounting

1. Remove wallboard/covering from designated area.
2. Toenail 2" x 6" (51 x 152 mm) cross piece between studs (or notch studs to accept a 1" x 6" (25 x 152 mm) crosspiece, and attach securely). Place the lavatory into desired position and check height of mounting holes for dimensional location of horizontal crosspiece.
3. Replace wallboard/finished wall media.



### 2

Make sure lavatory is mounted in correct position.

Refer to rough-in information to make sure the lavatory ANCHOR SCREW's ① height is 34-1/4" (870 mm).

### 3

Screw LEGS ③ to U-SHAPE BAR ② as shown in exploded view.

### 4

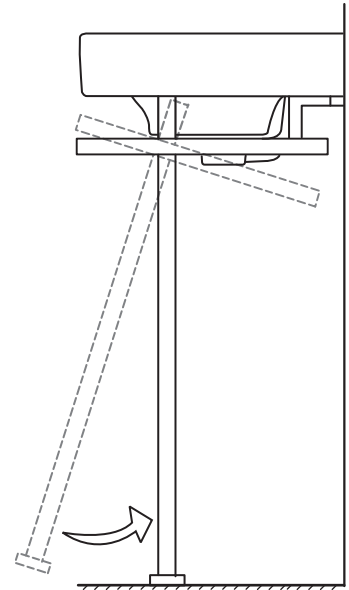
Slide the FOOT COVERS ④ up the LEGS about 6".

Screw the two ADJUSTABLE FEET all the way up to make the legs as short as possible.

5

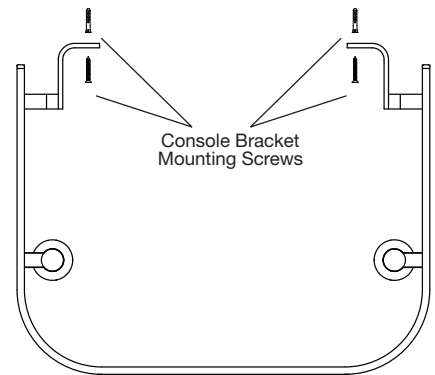
Move the full console under the lavatory (you may need to slightly tilt the console in order to move it under the lavatory) all the way until rear console mounting brackets are fully contacting the wall.

**NOTE: If the console can't move under the lavatory check that the adjustable feet are screwed all the way up or the lavatory may be installed too low. If the lavatory is too low, please go back to step 2 to check the height and adjust lavatory mounting position to correct height.**



6

Once the console is in correct position under the lavatory, screw the console to the wall using the supplied screws and wall anchors.



7

Adjust both ADJUSTABLE FEET on the floor to make sure:

1. Legs firmly sit on floor.
2. Legs are in vertical position, both from the front view and side view. Use the level to check vertical in both views.

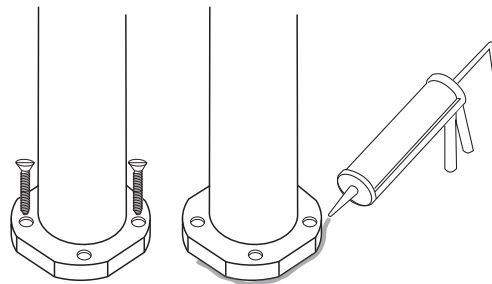
**NOTE: If the above 1 and 2 conditions can not be achieved with the range of adjustment, the lavatory may be installed too high. Please go back to step 2 to check the height and adjust lavatory mounting position as necessary.**

8

Pull up the feet covers and install the proper anchor screws (depends on floor type) through the hole on foot flange to secure the console legs.

**NOTE: Anchor screws not supplied with product.**

**The alternative is to apply proper adhesive between feet and floor.**



9

Push down the FEET COVERS ④.

**In the United States:**

DXV  
30 Knightsbridge Road  
Piscataway, New Jersey 08854  
Attention: Director of Customer Care

For residents of the United States, warranty information may also be obtained by calling the following toll free number: (800) 227-2734  
www.DXV.com

**In Canada:**

DXV  
5900 Avebury Road  
Mississauga, Ontario  
L5R 3M3  
Canada

Toll Free: 1-800-387-0369  
Local: 905-306-1093  
Fax: 1-800-395-1498  
www.DXV.ca

**In Mexico:**

DXV  
Via Morelos 330  
Col. Santa Clara Coatitla  
Ecatepec, Estado de México 55540

Toll Free: 01-800-8391200  
www.DXV.mx